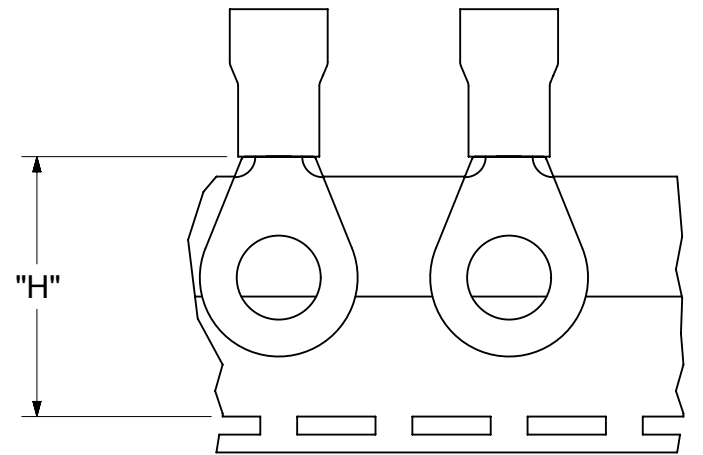
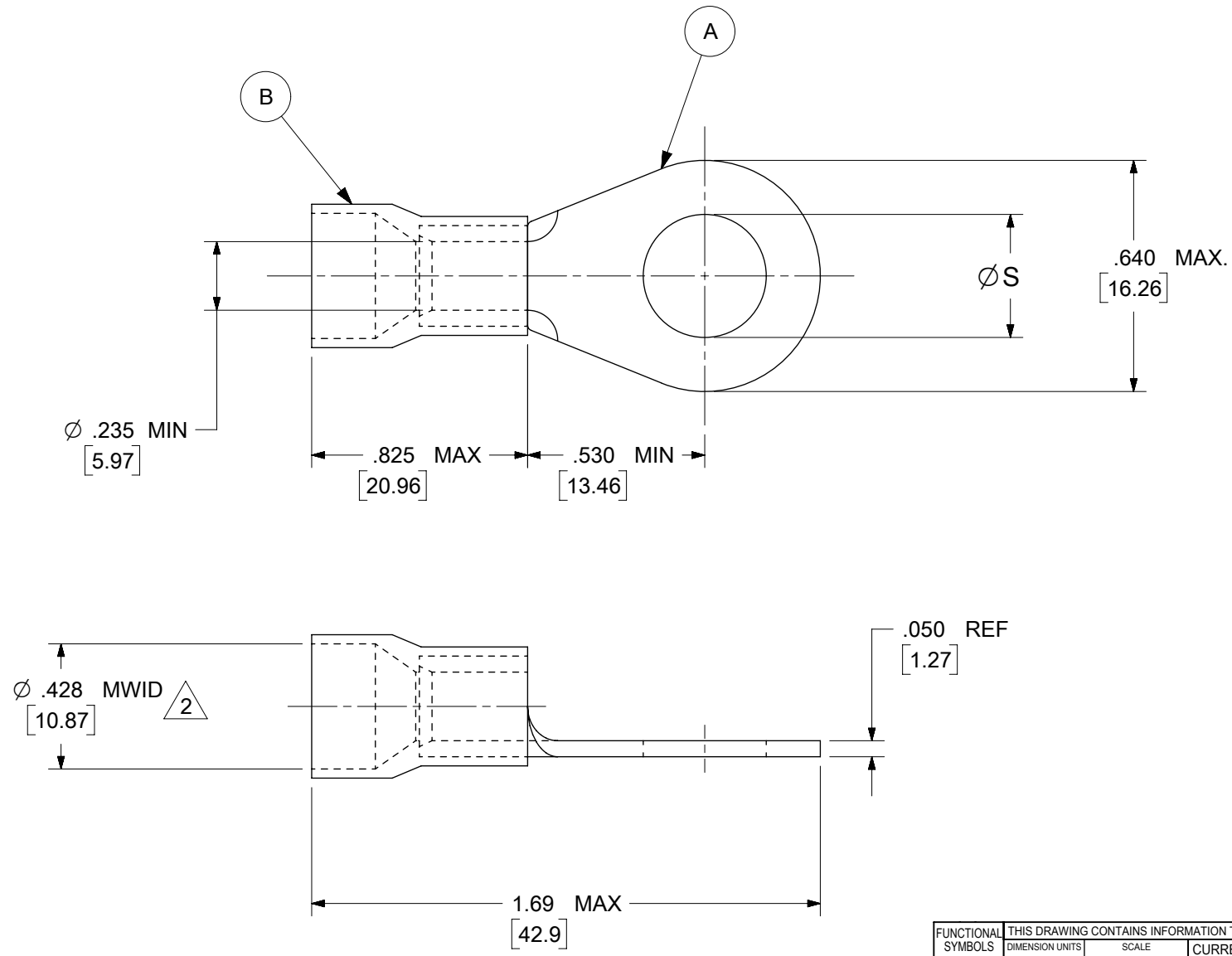


LOOSE PIECE		TAPE MOUNTED		SPECIFICATIONS		
MATERIAL NUMBER	ENGINEERING NUMBER	MATERIAL NUMBER	ENGINEERING NUMBER	STUD SIZE	"S" ±.005 [0.13]	"H" REF
190670043	E-957-08	---	---	8	.173 [4.39]	1.172 [29.77]
190670045	E-957-10	190670046	E-957-10T	10	.198 [5.03]	
190670047	E-957-14	190670048	E-957-14T	1/4	.265 [6.73]	
190670052	E-957-38	190670053	E-957-38T	3/8	.390 [9.91]	
190670055	E-957-56	190670056	E-957-56T	5/16	.328 [8.33]	
190670059	E-957-76	---	---	7/16	.453 [11.51]	

B1



PARTS ON TAPE

- NOTES:
- MATERIAL:
 - (A). TERMINAL: COPPER ALLOY
 - PLATING: ELECTRO-TIN (.0003 MIN.)
 - (B). INSULATION: NYLON, COLOR CODED BLUE
 - MWID: MAXIMUM WIRE INSULATION DIAMETER
 - WIRE SIZE: 6 AWG
16 MM²
 - ALL COMPONENTS ARE RoHS COMPLIANT.
 - DIMS. SHOWN ARE FOR REFERENCE ONLY.

THIS DRAWING CONTAINS INFORMATION THAT IS PROPRIETARY TO MOLEX ELECTRONIC TECHNOLOGIES, LLC AND SHOULD NOT BE USED WITHOUT WRITTEN PERMISSION									
FUNCTIONAL SYMBOLS	DIMENSION UNITS	SCALE	CURRENT REV DESC: MIGRATED TO ECTR/NX AND ADDED TAPED P/NS TO TABLE						
	INCH/MM	NTS	molex RING TONGUE TERMINAL, FUNNEL ENTRY, 6 AWG, NYLAKRIMP						
DIVISIONAL SYMBOLS	GENERAL TOLERANCES (UNLESS SPECIFIED)								
	4 PLACES ± --- ± ---		PRODUCT CUSTOMER DRAWING DOCUMENT NUMBER: SD-19067-013 DOC TYPE: PSD DOC PART: 001 REVISION: B1						
3 PLACES ± --- ± ---		INITIAL REVISION: DRWN: EHILE 2006/10/20 APPR: JMACNEIL 2006/10/20							
2 PLACES ± --- ± ---		MATERIAL NUMBER: SEE CHART CUSTOMER: GENERAL MARKET SHEET NUMBER: 1 OF 1							
1 PLACE ± --- ± ---		DRAFT WHERE APPLICABLE MUST REMAIN WITHIN DIMENSIONS							
0 PLACES ± --- ± ---		THIRD ANGLE PROJECTION DRAWING: B-SIZE SERIES: 19067							
ANGULAR TOL ± ---									