

# SPECIFICATIONS

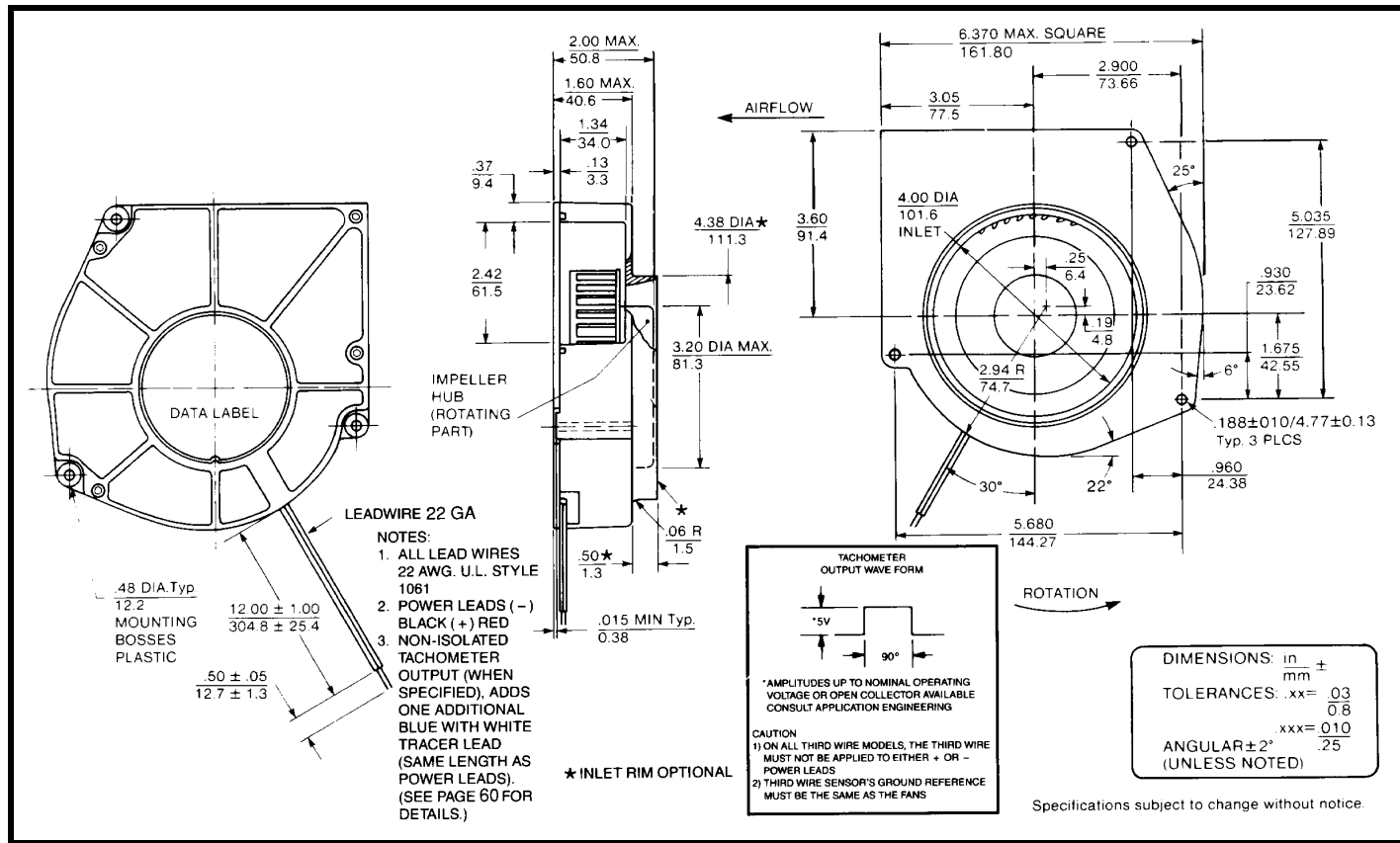
(RoHS Compliant)



**Model Number:** SPDD24K1  
**Part Number:** 17000302A

**Version:** 00  
**Dec 02, 2015**

## Mechanical Drawing:



### Specifications:

Nominal Voltage	= 24 vdc
Operating Voltage Range	= 12 - 28 vdc
Nominal Running Current	= 3.14 amps
Locked Rotor Current	= 4.50 amps
Running Power	= 75.3 watts
Average Speed	= 4000 rpm
Bearings	= Ball
Air Flow	= 100.5CFM
Noise	= 67.2 dBA

### Construction:

Backplate: Die-Cast Zinc Alloy  
 Housing & Propeller: Polycarbonate, Black, meets UL94V-0 flammability rating.

### Life Expectancy:

This fan is designed for continuous duty life of 62,000 hours at 50°C.

### Agency Approvals:

UL, CE

### Features:

- Polarity Protected
- Brushless DC Motor Design
- Electronic Locked Rotor Protection
- Automatic Restart Capability
- Operating Temperature: -10°C to 70 °C
- Storage Temperature: -40°C to 85°C

### Termination:

- 12" Lead wires, 20 AWG, UL 1007
- Red - Power
- Black - Return

PQ Curve:

