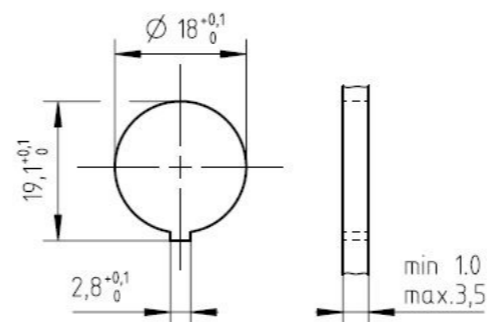


Panel cutout M1:1



\* for 12,14 and 19 pol dimension is 10,0

Number of contacts	Standard	3	4	5	5	6	7	7	8	12	14	14	19
Contact arrangement	IEC 61076-2-106	03-a	04-a	05-a	05-b	06-a	07-a	07-b	08-a	12-a	14-a	14-b	19-a
Contact arrangement	IEC 60130-9 <sup>n</sup>	yes		no		yes		no		no			
Rated voltage <sup>2)</sup>	IEC 60664-1	300 V (100 V)		300 V (63 V)		100 V (32 V)		300 V (63 V)		100 V (32 V)		150 V (32 V)	
Rated voltage	UL 1977	250V								60V			
Rated impulse withstand voltage <sup>2)</sup>	IEC 60664-1	1500 V (1500 V)		1200 V (800 V)		1500 V (1500 V)		1200 V (800 V)					
Pollution degree <sup>2)</sup>	IEC 60664-1	1 (2)											
Installation category	IEC 60664-1	I											
Insulation group	IEC 60664-1	II, 400 ≤ CTI < 600											
Current rating	IEC 60512-5-2 UL 1977	10A/+40°C		7A/+40°C						3A/+40°C			
Insulation resistance	IEC 60512-3-1	>10 <sup>10</sup> Ohm <sup>3)</sup>											
Contact resistance	IEC 60512-2-1	<5mOhm											
Climatic category	IEC 60668-1	40 / 100 / 56											
Temperatur range	IEC 60668-1	-40°C...+100°C / -40°F...+212°F											
IP degree	IEC 60529	IP 40											
Insertion and withdrawal force	IEC 60512-13-2	25N	30N	35N	35N	50N	55N	55N	60N	50N	50N	50N	60N
mechanical operation	IEC 60512-9-1	Silver ≥500 mating cycles / Gold ≥1000 mating cycles											
housing material		brass and / or zinc die cast, nickel plated or thermoplast											
dielectric material		thermoplastic											
contacts		silver or gold plated											
termination technique		solder											
wire gauge		≤0,5mm <sup>2</sup> / 20 AWG						≤0,35mm <sup>2</sup> / 22 AWG					
flamability		UL 94 VO											
locking system		metal screw coupling; tightening torque 0,7 - 1,5 Nm											

Gewicht (errechnet) / Calc WT: 14,089 g	Zul. Abw./Tolerances:
Prüfmaß / Testdimension	ISO 2768-c
Teileindex / Partindexnumber:	DIN / ISO 13715
Bagatelle change:	

Gez. Drawn	11.10.2019
Status	Released
Gepr. Checked	10.02.2021
	MBERTSCH

Maßstab / Scale: 2:1	A3	
<b>CUSTOMER DRAWING</b>		

04	202000083	05.11.2020	MCARL
03	201900002	11.10.2019	MCARL
Index	Änderung / Description	Datum / Date	Name

<b>Amphenol Tuchel Industrial GmbH</b>	
--	--

Female receptacle rear mounting	
M GA T 3XXX 100+118 U	Blatt / Sheet 1
Ers. f. / Replacement for: M-GA T 3XXX 100 Rev02	

	19 (19-a)	Ag	T 3693 100 U
		Au	T 3693 118 U
	14 (14-b)	Ag	T 3673 100 U
		Au	T 3673 118 U
	14 (14-a)	Ag	T 3653 100 U
		Au	T 3653 118 U
	12 (12-a)	Ag	T 3638 100 U
		Au	T 3638 118 U
	8 (08-a)	Ag	T 3507 100 U
		Au	T 3507 118 U
	7 (07-b)	Ag	T 3487 100 U
		Au	T 3487 118 U
	7 (07-a)	Ag	T 3478 100 U
		Au	T 3478 118 U
	6 (6-a)	Ag	T 3403 100 U
		Au	T 3403 118 U
	5 (05-b)	Ag	T 3359 100 U
		Au	T 3359 118 U
	5 (05-a)	Ag	T 3363 100 U
		Au	T 3363 118 U
	4 (04-a)	Ag	T 3303 100 U
		Au	T 3303 118 U
	3 (03-a)	Ag	T 3263 100 U
		Au	T 3263 118 U
	2 (Pin 1+3)	Ag	T 3203 100 U
		Au	T 3203 118 U
Contact arrangement View on mating side	Number of contacts (Contact arrangement acc. DIN EN 61076-2-106)	contact plating	Part number

Copying of this document and giving it to others and the use or communication of the contents thereof, are forbidden without express authority. Offenders are liable to the payment of damages. All rights are reserved in the event of the grant of a patent or the registration of the utility model or design.

Weitergabe sowie Vervielfältigung dieser Unterlage, Verwertung und Mitteilung ihres Inhalts nicht gestattet, soweit nicht ausdrücklich zugestanden. Zuwiderhandlungen verpflichten zu Schadenersatz. Alle Rechte für den Fall der Patenterteilung oder Gebrauchsmuster-Eintragung vorbehalten.

FAI2020-004742  
NXM-V03