

MATERIALS AND FINISHES:

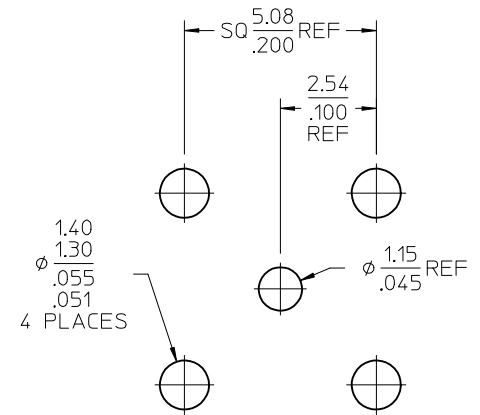
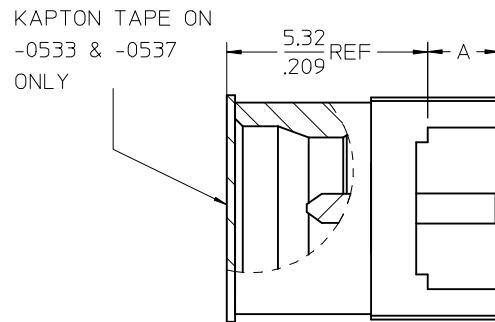
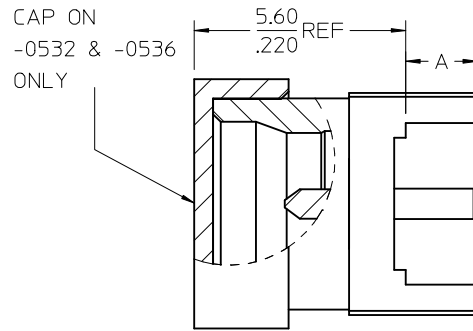
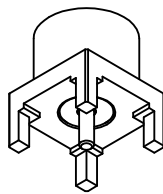
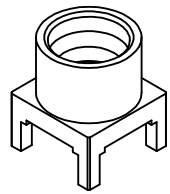
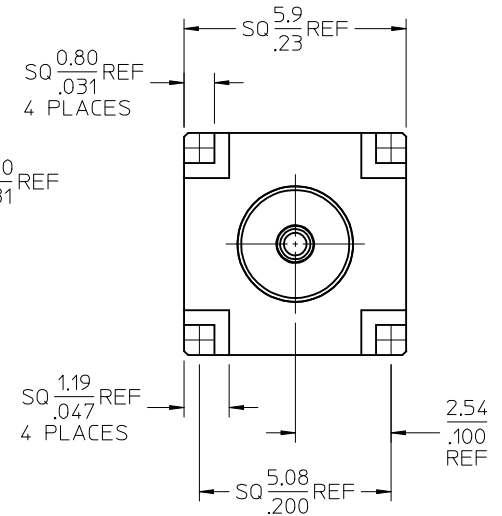
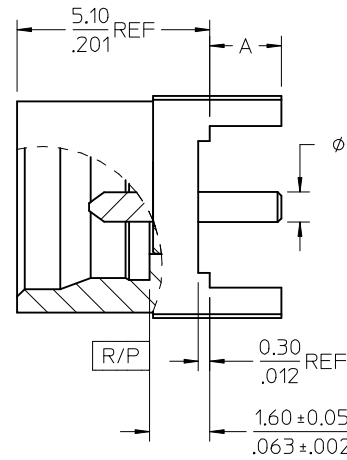
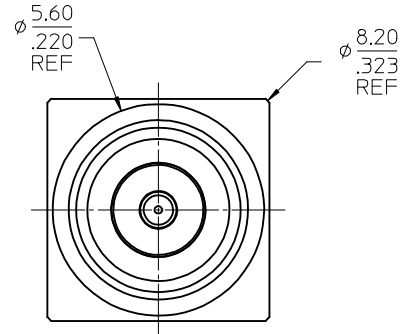
BODY, CONTACT: BRASS
 PLATED: GOLD (8μ-in MIN) OVER
 NICKEL PHOSPHOR (80μ-in MIN).

INSULATOR: PTFE.

CAP: PTFE (-0532 AND -0536 ONLY)

KAPTON: POLYIMIDE FILM

COLOR: BLACK
 (ON -0533 AND -0537 ONLY).



RECOMMENDED PCB LAYOUT

73420-0537	T&R W/ KAPTON	3.35 / .132	400
73420-0536	T & R W/ CAP	3.35 / .132	400
73420-0535	TRAY	3.35 / .132	80
73420-0534	SINGLE PIECE	3.35 / .132	1
73420-0533	T&R W/ KAPTON	1.90 / .075	500
73420-0532	T & R W/ CAP	1.90 / .075	500
73420-0531	TRAY	1.90 / .075	80
73420-0530	SINGLE PIECE	1.90 / .075	1
PART NO.	PACKAGING	MM / IN	QTY
		DIM A (REF)	

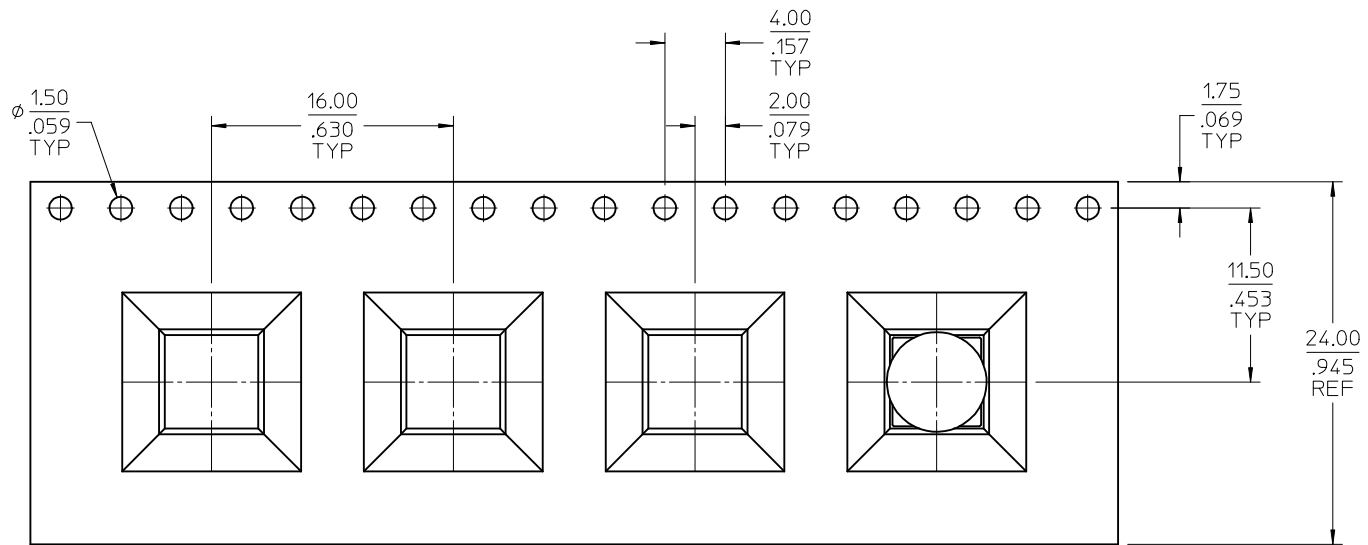
PS-89675-3760	ELEC/MECH PERFORMANCE
SPECIFICATION	DESCRIPTION

CHG: ADD TOLERANCE TO DIM 1.60/.063 IN	DATE: 2017/06/16
G5 ZONE: DRWIN:APRAKASHO1	DATE: 2017/06/16
CHKD:888	DATE: 2017/06/16
APPR:AROBERTSON	DATE: 2017/06/28
REV: A5	DESCRIPTION

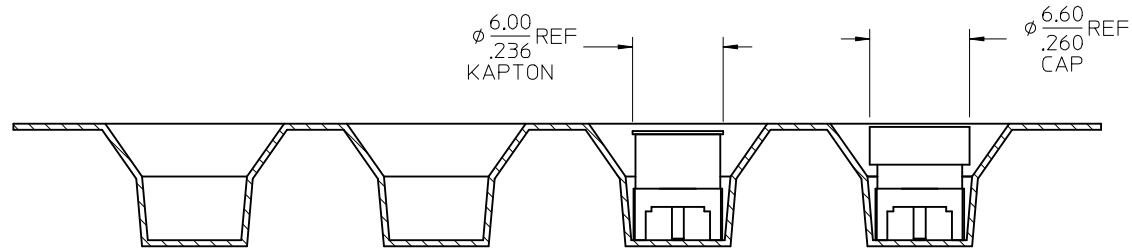
QUALITY SYMBOLS	GENERAL TOLERANCES (UNLESS SPECIFIED)
▽=0	mm INCH
▽=0	4 PLACES ± --- ± ---
▽=0	3 PLACES ± --- ± .010
▽=0	2 PLACES ± 0.25 ± ---
	1 PLACE ± --- ± ---
	0 PLACE ± --- ± ---
	ANGULAR ± 2 °
	DRAFT WHERE APPLICABLE MUST REMAIN WITHIN DIMENSIONS

DIMENSION STYLE	SCALE
MM/IN	
DRAWN BY	DATE
AROBERTSON	2011/05/27
CHECKED BY	DATE
SSS	2011/05/27
APPROVED BY	DATE
JWIENER	2011/06/10
MATERIAL NO.	DOCUMENT NO.
SEE TABLE	SD-73420-053

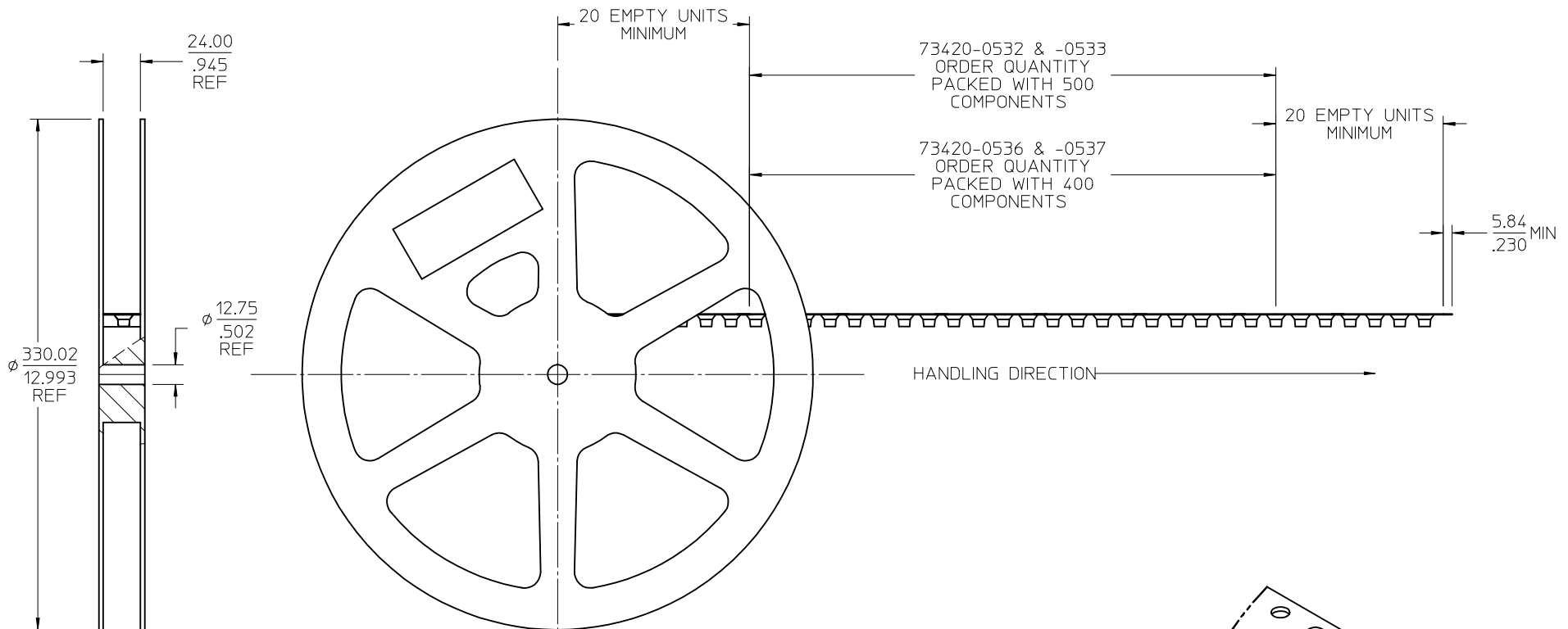
DESIGN UNITS	THIRD ANGLE PROJECTION
METRIC	
SMP-MAX PLUG DETENT VERTICAL PCB TH SMPMAX-P/PCB, EWR-4718	
molex	
SHEET NO.	1 OF 3
THIS DRAWING CONTAINS INFORMATION THAT IS PROPRIETARY TO MOLEX INCORPORATED AND SHOULD NOT BE USED WITHOUT WRITTEN PERMISSION	



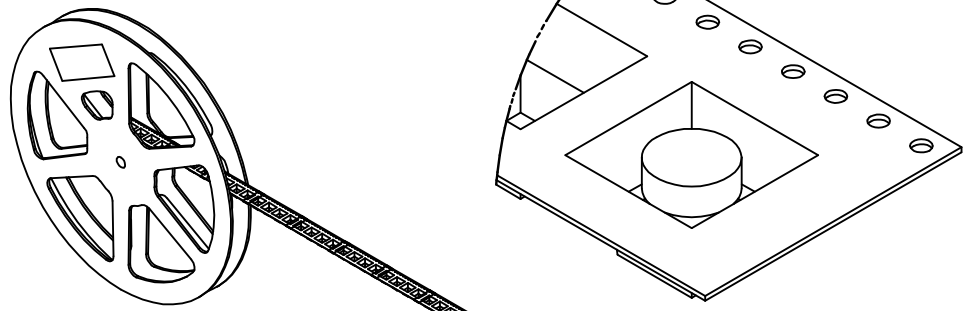
FOR -0532 & -0533
& -0536 & -0537



CHG: SEE SHEET 1 IEC NO: URF2017-0417 DRWN: APRAKASHO1 2017/06/16 CHKD: BBB 2017/06/16 APPR: AROBERTSON 2017/06/28	QUALITY SYMBOLS $\nabla=0$ $\nabla=0$ $\nabla=0$	GENERAL TOLERANCES (UNLESS SPECIFIED) <table border="1"> <thead> <tr> <th></th> <th>mm</th> <th>INCH</th> </tr> </thead> <tbody> <tr> <td>4 PLACES</td> <td>\pm---</td> <td>\pm---</td> </tr> <tr> <td>3 PLACES</td> <td>\pm---</td> <td>$\pm .010$</td> </tr> <tr> <td>2 PLACES</td> <td>± 0.25</td> <td>\pm---</td> </tr> <tr> <td>1 PLACE</td> <td>\pm---</td> <td>\pm---</td> </tr> <tr> <td>0 PLACE</td> <td>\pm---</td> <td>\pm---</td> </tr> </tbody> </table>		mm	INCH	4 PLACES	\pm ---	\pm ---	3 PLACES	\pm ---	$\pm .010$	2 PLACES	± 0.25	\pm ---	1 PLACE	\pm ---	\pm ---	0 PLACE	\pm ---	\pm ---	DIMENSION STYLE MM/IN DRAWN BY: AROBERTSON DATE: 2011/05/27 CHECKED BY: SSS DATE: 2011/05/27 APPROVED BY: JWIENER DATE: 2011/06/10	SCALE DESIGN UNITS METRIC THIRD ANGLE PROJECTION	TITLE SMP-MAX PLUG DETENT VERTICAL PCB TH SMPMAX-P/PCB, EWR-4718 molex	MATERIAL NO. SEE SHEET 1	DOCUMENT NO. SD-73420-053	SHEET NO. 2 OF 3
		mm	INCH																							
	4 PLACES	\pm ---	\pm ---																							
	3 PLACES	\pm ---	$\pm .010$																							
2 PLACES	± 0.25	\pm ---																								
1 PLACE	\pm ---	\pm ---																								
0 PLACE	\pm ---	\pm ---																								
DESCRIPTION A5	ANGULAR $\pm 2^\circ$ DRAFT WHERE APPLICABLE MUST REMAIN WITHIN DIMENSIONS	SIZE C	THIS DRAWING CONTAINS INFORMATION THAT IS PROPRIETARY TO MOLEX INCORPORATED AND SHOULD NOT BE USED WITHOUT WRITTEN PERMISSION																							



FOR -0532 & -0533
& -0536 & -0537



CHG: SEE SHEET 1 EC NO: URF2017-0417 DRWN:APRAKASHO1 2017/06/16 CHKD:BBB 2017/06/16 APPR:AROBERTSON 2017/06/28 REV: A5	QUALITY SYMBOLS ▽=0 ▽=0 ▽=0	GENERAL TOLERANCES (UNLESS SPECIFIED) 4 PLACES ± --- INCH 3 PLACES ± --- ±.010 2 PLACES ± 0.25 1 PLACE ± --- 0 PLACE ± ---	DIMENSION STYLE MM/IN DRAWN BY: AROBERTSON CHECKED BY: SSS APPROVED BY: JWIENER DATE: 2011/05/27 DATE: 2011/05/27 DATE: 2011/06/10	SCALE: TITLE: SMP-MAX PLUG DETENT VERTICAL PCB TH SMPMAX-P/PCB, EWR-4718 DESIGN UNITS: METRIC THIRD ANGLE PROJECTION	DOCUMENT NO.: SD-73420-053 SHEET NO.: 3 OF 3
	DRAFT WHERE APPLICABLE MUST REMAIN WITHIN DIMENSIONS	ANGULAR ± 2 °	SEE SHEET 1	THIS DRAWING CONTAINS INFORMATION THAT IS PROPRIETARY TO MOLEX INCORPORATED AND SHOULD NOT BE USED WITHOUT WRITTEN PERMISSION	

MATERIALS AND FINISHES:

BODY, CONTACT: BRASS
 PLATED: GOLD (8μ-in MIN) OVER
 NICKEL PHOSPHOR (80μ-in MIN).

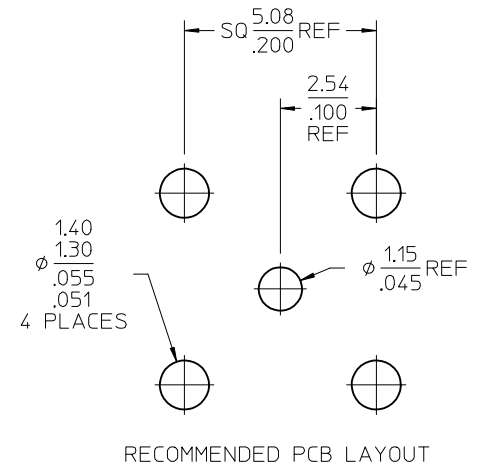
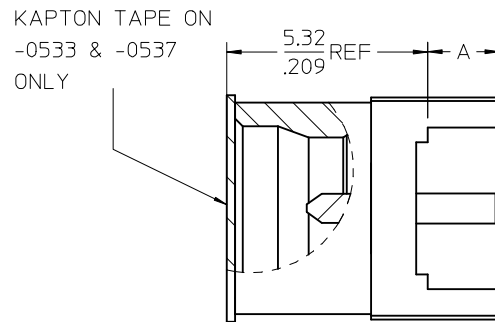
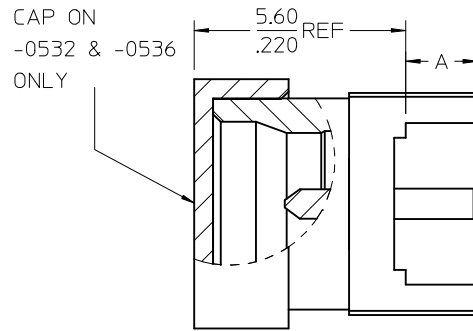
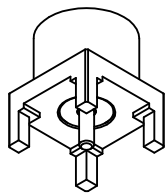
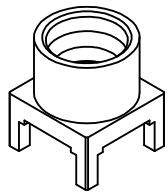
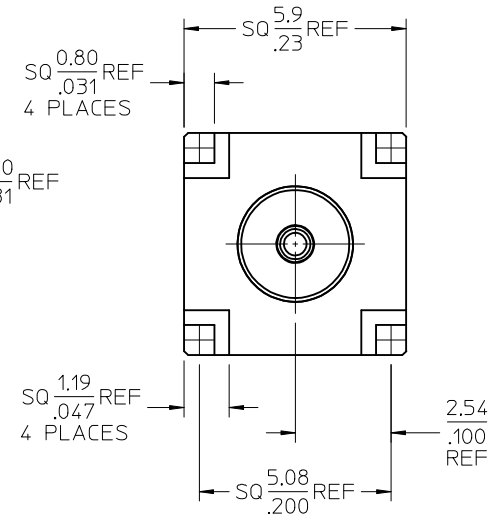
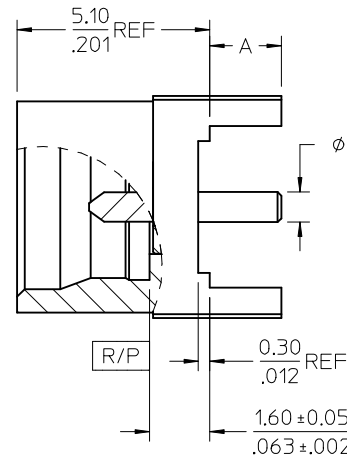
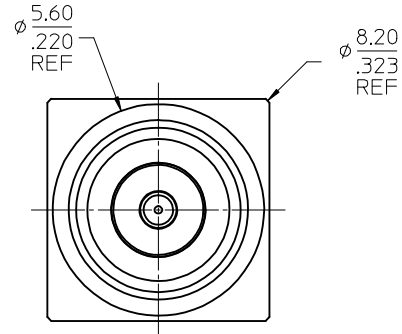
INSULATOR: PTFE.

CAP: PTFE (-0532 AND -0536 ONLY)

KAPTAN: POLYIMIDE FILM

COLOR: BLACK

(ON -0533 AND -0537 ONLY).



73420-0537	T&R W/ KAPTAN	3.35 / .132	400
73420-0536	T & R W/ CAP	3.35 / .132	400
73420-0535	TRAY	3.35 / .132	80
73420-0534	SINGLE PIECE	3.35 / .132	1
73420-0533	T&R W/ KAPTAN	1.90 / .075	500
73420-0532	T & R W/ CAP	1.90 / .075	500
73420-0531	TRAY	1.90 / .075	80
73420-0530	SINGLE PIECE	1.90 / .075	1
PART NO.	PACKAGING	MM / IN	QTY
		DIM A (REF)	

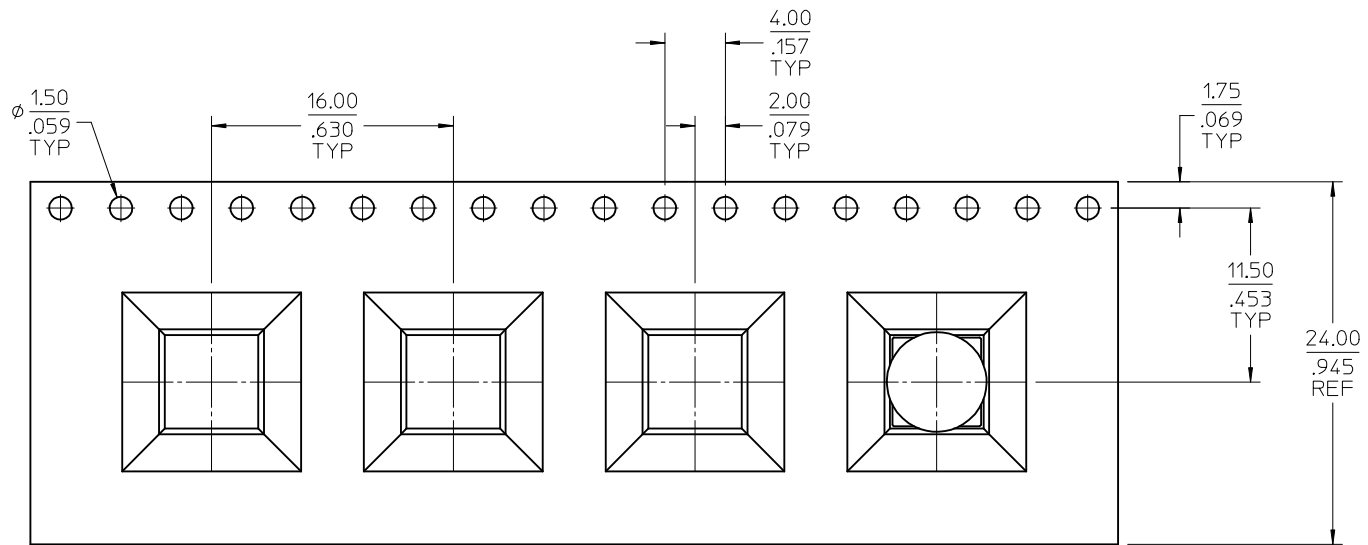
PS-89675-3760	ELEC/MECH PERFORMANCE
SPECIFICATION	DESCRIPTION

CHG: ADD TOLERANCE TO DIM 1.60/.063 IN	DATE: 2017/06/16
G5 ZONE: DRWINAPRAKASHO1	DATE: 2017/06/16
CHKD:888	DATE: 2017/06/16
APPR:AROBERTSON	DATE: 2017/06/28
REV: A5	DESCRIPTION

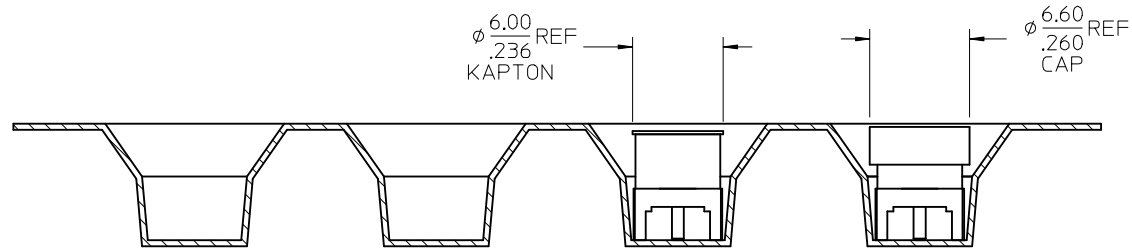
QUALITY SYMBOLS	GENERAL TOLERANCES (UNLESS SPECIFIED)
▽=0	mm INCH
▽=0	4 PLACES ± --- ± ---
▽=0	3 PLACES ± --- ± .010
▽=0	2 PLACES ± 0.25 ± ---
	1 PLACE ± --- ± ---
	0 PLACE ± --- ± ---
	ANGULAR ± 2 °
	DRAFT WHERE APPLICABLE MUST REMAIN WITHIN DIMENSIONS

DIMENSION STYLE	SCALE
MM/IN	
DRAWN BY	DATE
AROBERSTON	2011/05/27
CHECKED BY	DATE
SSS	2011/05/27
APPROVED BY	DATE
JWIENER	2011/06/10
MATERIAL NO.	DOCUMENT NO.
SEE TABLE	SD-73420-053

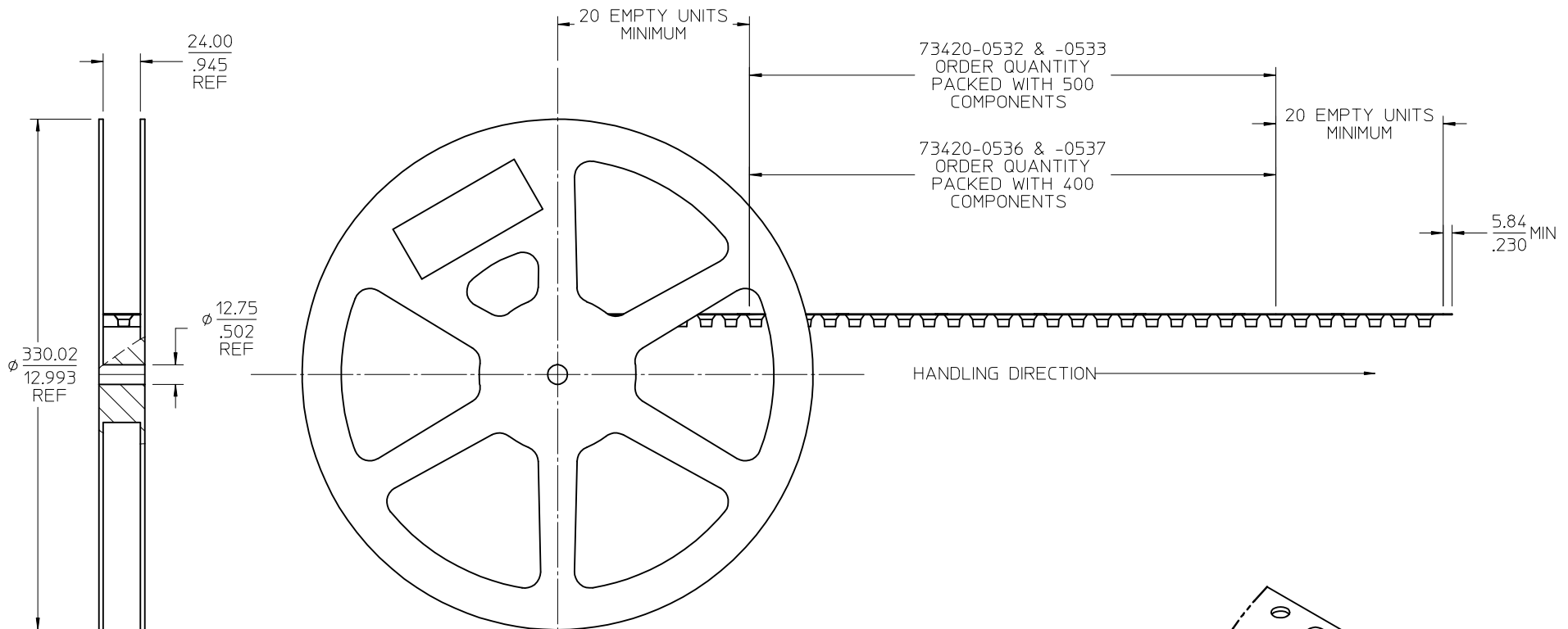
TITLE	THIRD ANGLE PROJECTION
SMP-MAX PLUG DETENT VERTICAL PCB TH SMPMAX-P/PCB, EWR-4718	THIRD ANGLE PROJECTION
molex	
DOCUMENT NO.	SHEET NO.
SD-73420-053	1 OF 3
THIS DRAWING CONTAINS INFORMATION THAT IS PROPRIETARY TO MOLEX INCORPORATED AND SHOULD NOT BE USED WITHOUT WRITTEN PERMISSION	



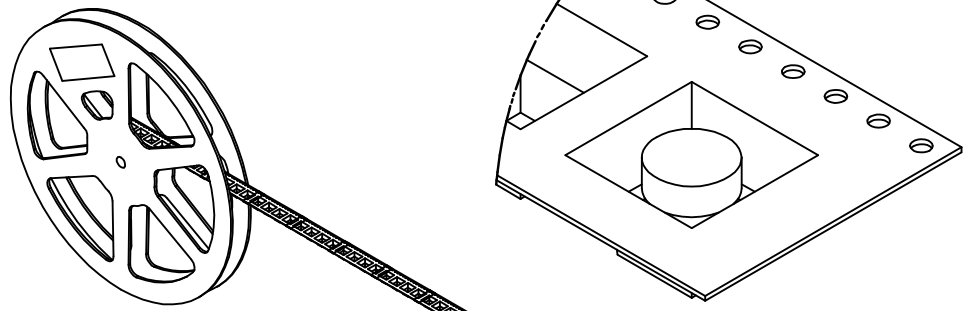
FOR -0532 & -0533
& -0536 & -0537



CHG: SEE SHEET 1 IEC NO: URF2017-0417 DRWN: PRAKASHO1 2017/06/16 CHKD: BBB 2017/06/16 APPR: AROBERTSON 2017/06/28	QUALITY SYMBOLS $\nabla=0$ $\nabla=0$ $\nabla=0$	GENERAL TOLERANCES (UNLESS SPECIFIED) <table border="1"> <thead> <tr> <th></th> <th>mm</th> <th>INCH</th> </tr> </thead> <tbody> <tr> <td>4 PLACES</td> <td>\pm---</td> <td>\pm---</td> </tr> <tr> <td>3 PLACES</td> <td>\pm---</td> <td>\pm.010</td> </tr> <tr> <td>2 PLACES</td> <td>\pm0.25</td> <td>\pm---</td> </tr> <tr> <td>1 PLACE</td> <td>\pm---</td> <td>\pm---</td> </tr> <tr> <td>0 PLACE</td> <td>\pm---</td> <td>\pm---</td> </tr> </tbody> </table>		mm	INCH	4 PLACES	\pm ---	\pm ---	3 PLACES	\pm ---	\pm .010	2 PLACES	\pm 0.25	\pm ---	1 PLACE	\pm ---	\pm ---	0 PLACE	\pm ---	\pm ---	DIMENSION STYLE MM/IN DRAWN BY: AROBERTSON DATE: 2011/05/27 CHECKED BY: SSS DATE: 2011/05/27 APPROVED BY: JWIENER DATE: 2011/06/10	SCALE DESIGN UNITS METRIC THIRD ANGLE PROJECTION	TITLE SMP-MAX PLUG DETENT VERTICAL PCB TH SMPMAX-P/PCB, EWR-4718 molex	MATERIAL NO. SEE SHEET 1	DOCUMENT NO. SD-73420-053	SHEET NO. 2 OF 3
		mm	INCH																							
	4 PLACES	\pm ---	\pm ---																							
	3 PLACES	\pm ---	\pm .010																							
2 PLACES	\pm 0.25	\pm ---																								
1 PLACE	\pm ---	\pm ---																								
0 PLACE	\pm ---	\pm ---																								
DESCRIPTION A5	ANGULAR \pm 2° DRAFT WHERE APPLICABLE MUST REMAIN WITHIN DIMENSIONS	SIZE C	THIS DRAWING CONTAINS INFORMATION THAT IS PROPRIETARY TO MOLEX INCORPORATED AND SHOULD NOT BE USED WITHOUT WRITTEN PERMISSION																							



FOR -0532 & -0533
& -0536 & -0537



Detail 1
Scale 4:1
SEE Detail 1

CHG: SEE SHEET 1 EC NO: URF2017-0417 DRWN:APRAKASHO1 2017/06/16 CHKD:BBB 2017/06/16 APPR:AROBERTSON 2017/06/28 REV: A5	QUALITY SYMBOLS ▽=0 ▽=0 ▽=0	GENERAL TOLERANCES (UNLESS SPECIFIED) 4 PLACES ± --- INCH 3 PLACES ± --- ±.010 2 PLACES ± 0.25 ± --- 1 PLACE ± --- ± --- 0 PLACE ± --- ± --- ANGULAR ± 2 °	DIMENSION STYLE MM/IN DRAWN BY: AROBERTSON CHECKED BY: SSS APPROVED BY: JWIENER DATE: 2011/05/27 DATE: 2011/05/27 DATE: 2011/06/10	SCALE: METRIC DESIGN UNITS: METRIC THIRD ANGLE PROJECTION	TITLE: SMP-MAX PLUG DETENT VERTICAL PCB TH SMPMAX-P/PCB, EWR-4718 molex	DOCUMENT NO.: SD-73420-053 SHEET NO.: 3 OF 3
	DRAFT WHERE APPLICABLE MUST REMAIN WITHIN DIMENSIONS	SEE SHEET 1	THIS DRAWING CONTAINS INFORMATION THAT IS PROPRIETARY TO MOLEX INCORPORATED AND SHOULD NOT BE USED WITHOUT WRITTEN PERMISSION			