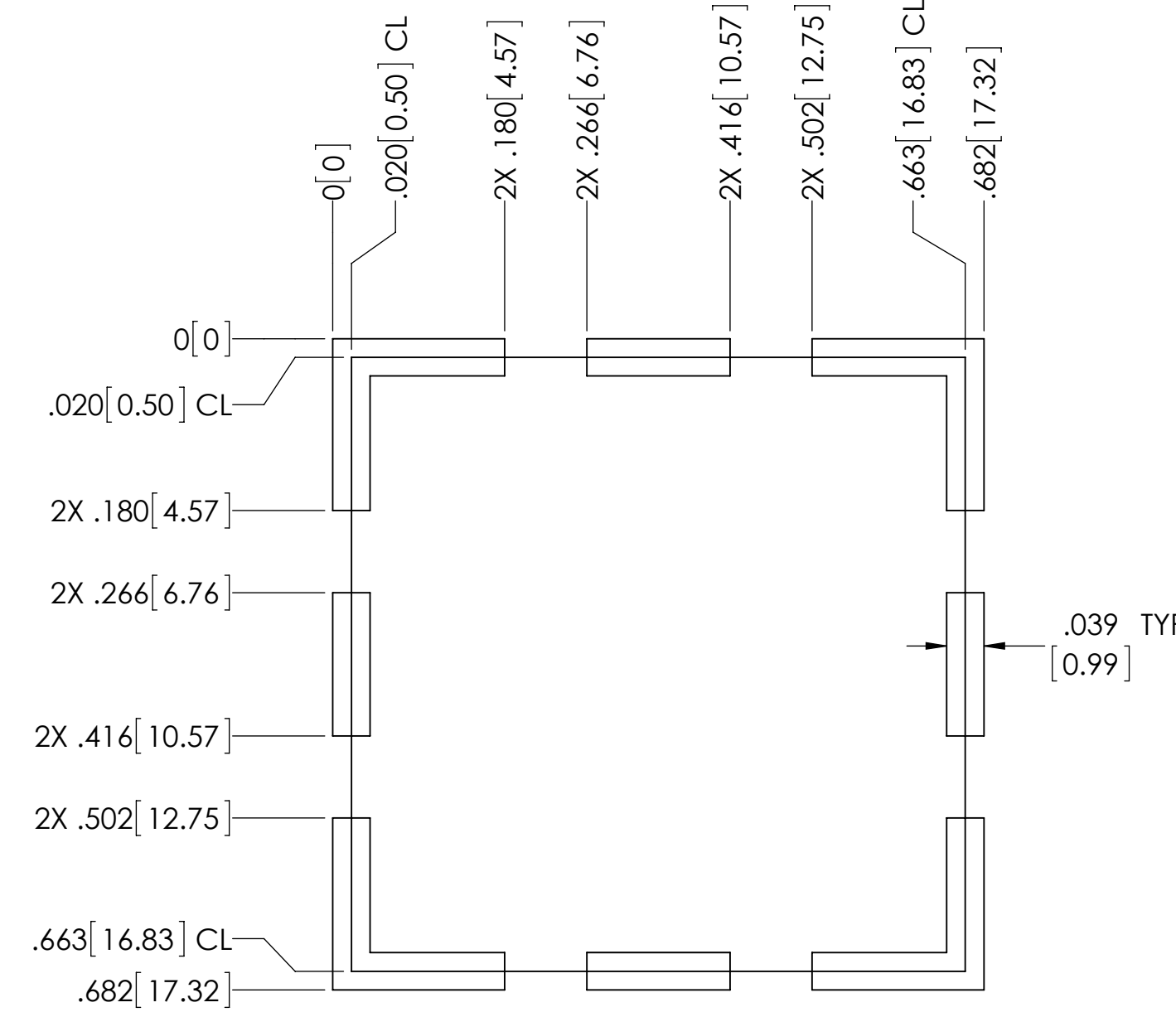
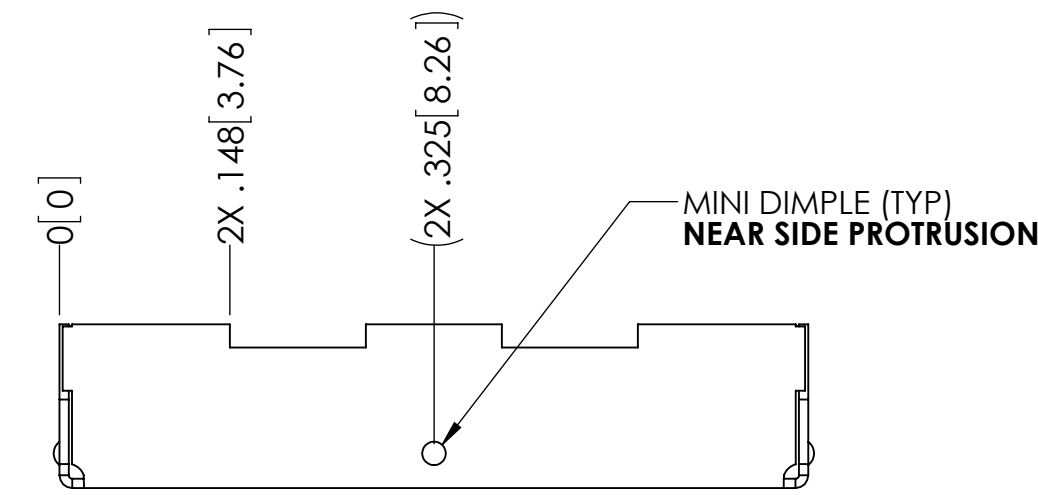
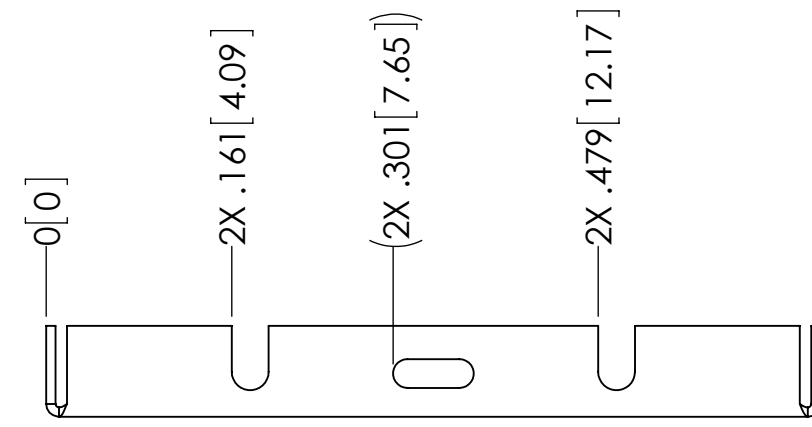
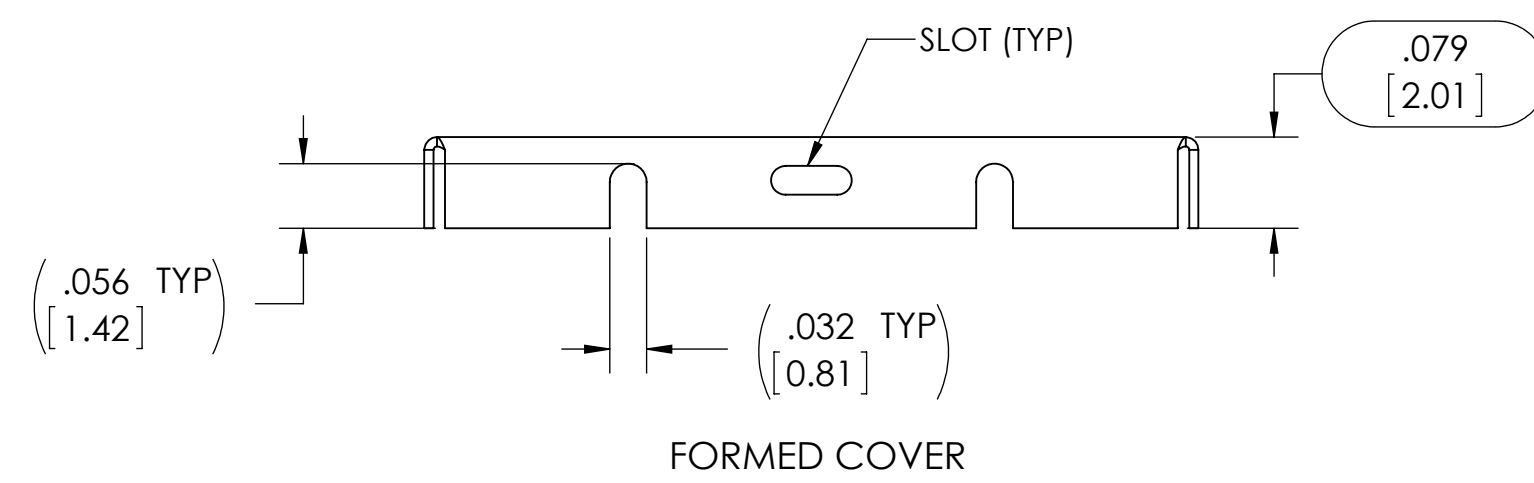
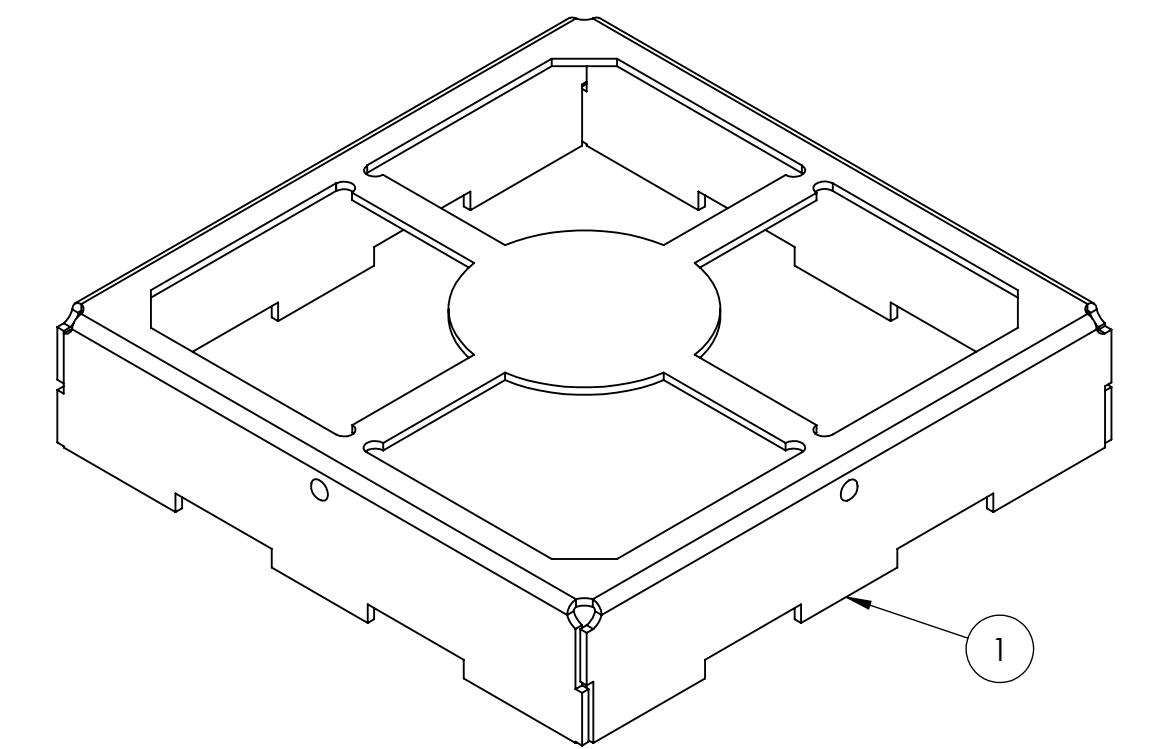
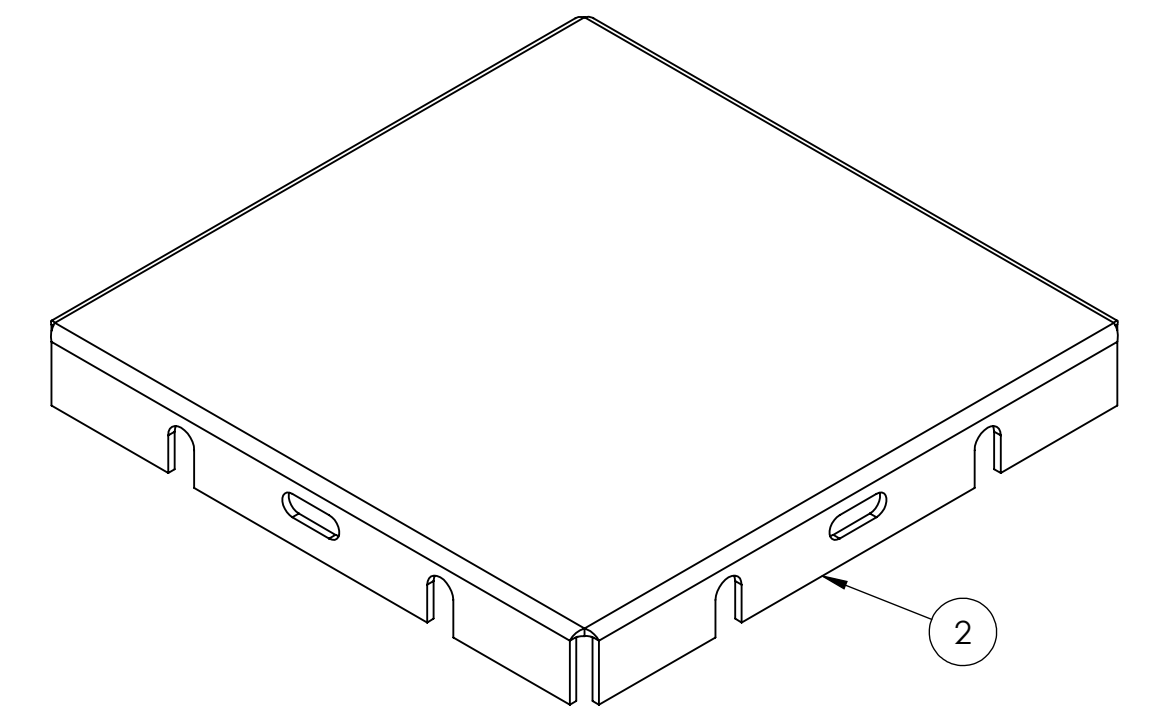
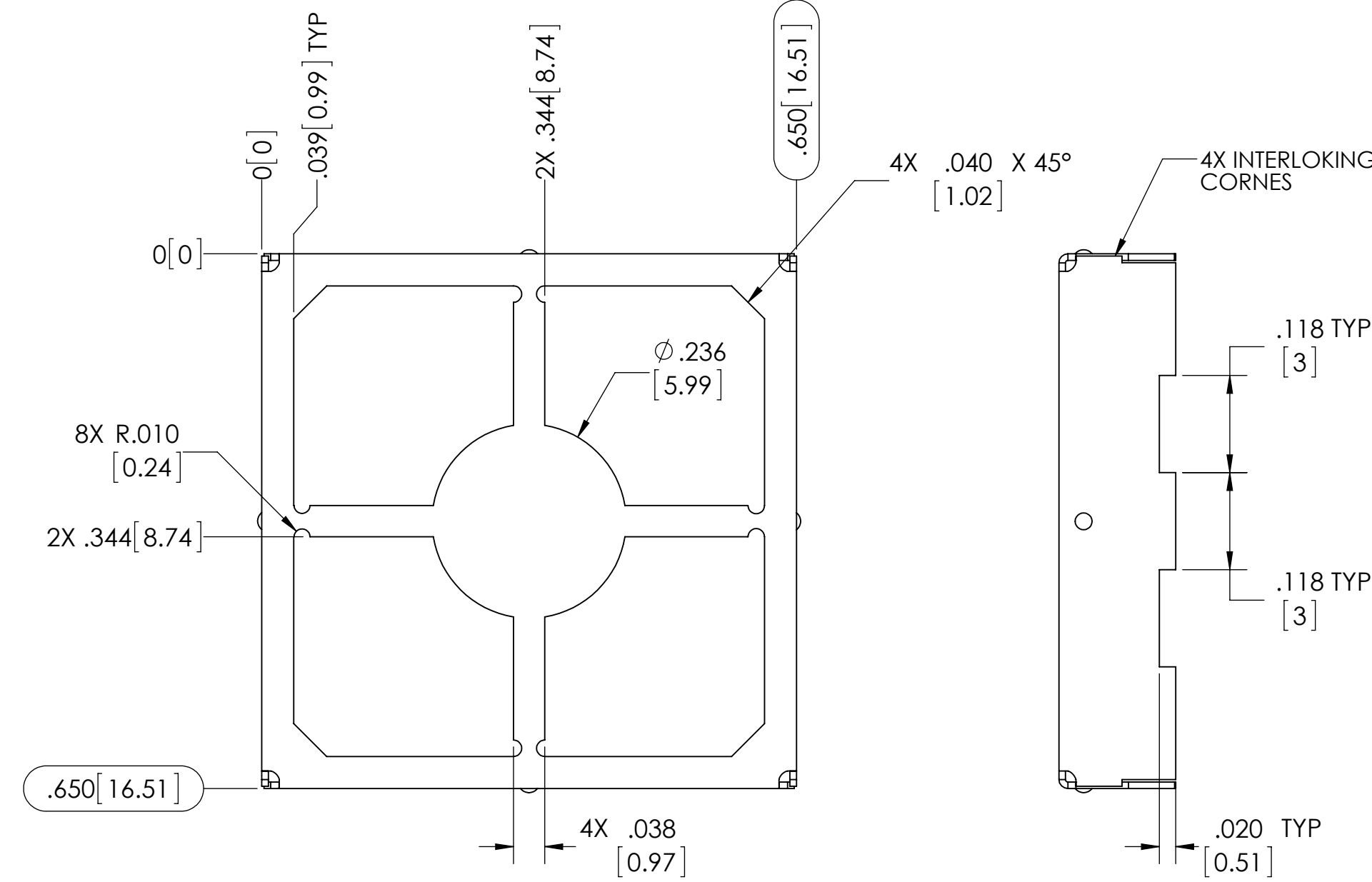
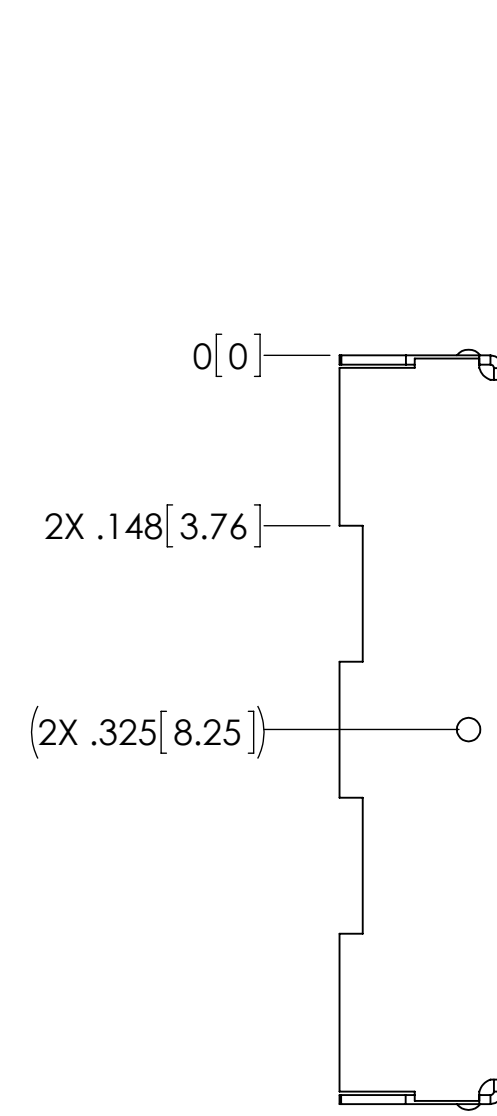
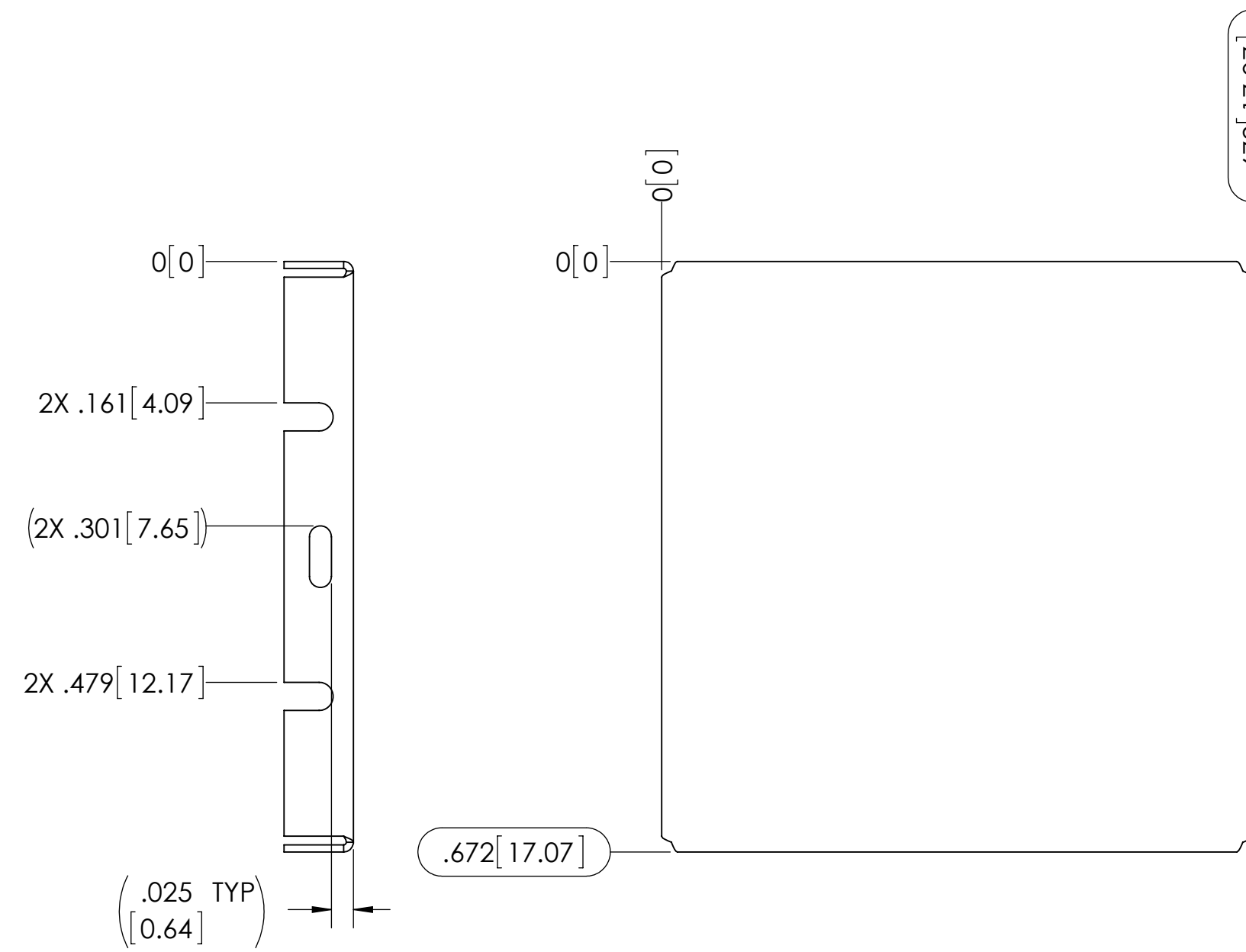


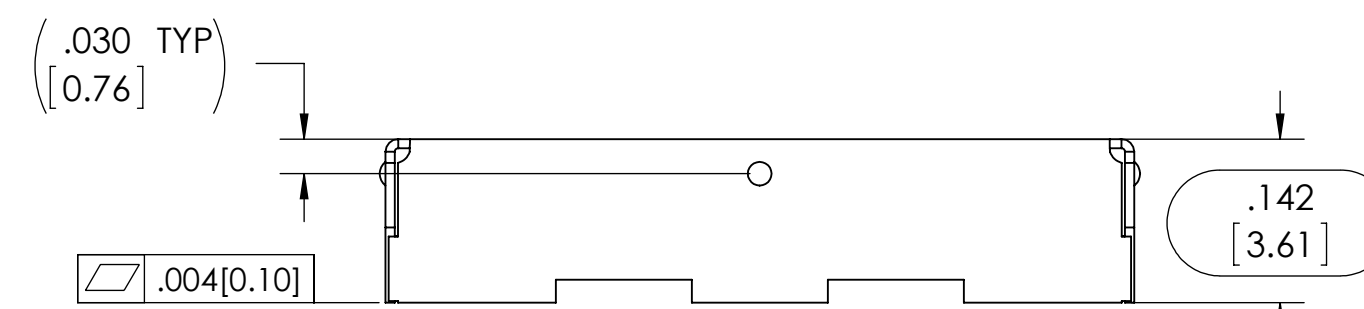
NOTES:  
 1. ASSURE ASSEMBLY CAPABILITY BY MATCHING WITH MATING PART  
 2. DIMENSIONS IN [ ] ARE IN MILLIMETERS



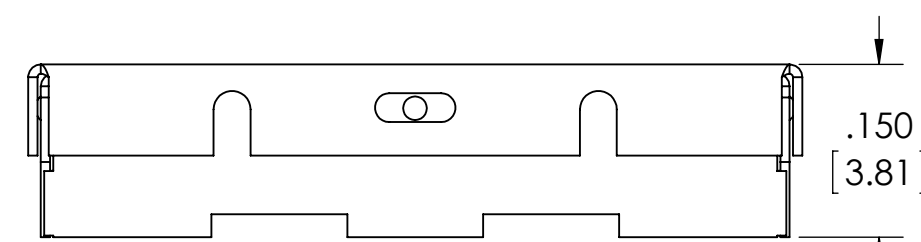
TRACE PATTERN



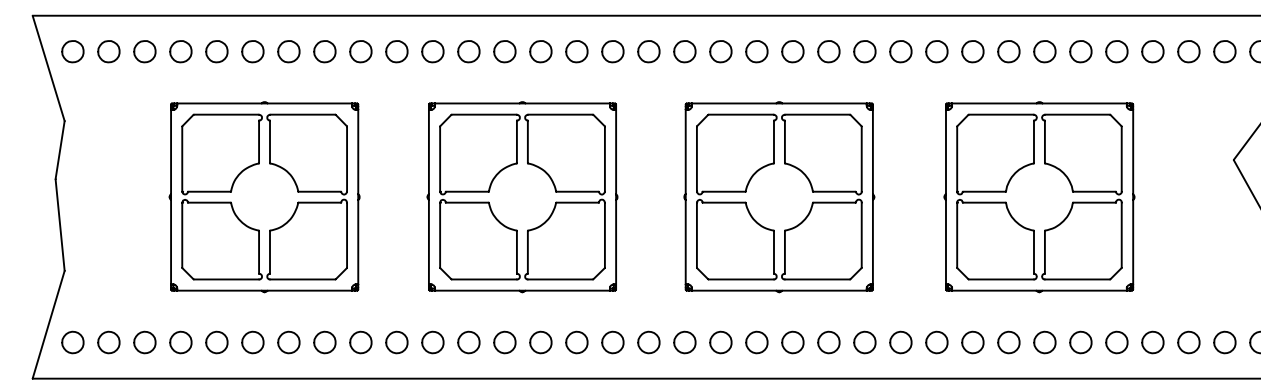
FORMED COVER



FORMED FRAME



ASSEMBLY



CARRIER TAPE

| CARRIER TAPE SPECIFICATIONS |             |                             |                |                    |                    |                |
|-----------------------------|-------------|-----------------------------|----------------|--------------------|--------------------|----------------|
| PART NUMBER                 | DESCRIPTION | OVERALL DIMENSIONS          | OVERALL HEIGHT | CARRIER TAPE WIDTH | CARRIER TAPE PITCH | PARTS PER REEL |
| SMS-402F                    | FRAME       | .650 X .650 [16.51 X 16.51] | .142 [3.60]    | 32 mm              | 24 mm              | 700            |
| SMS-402C                    | COVER       | .672 X .672 [17.07 X 17.07] | .079 [2.01]    | N/A                | N/A                | BULK PACK      |

THIS DOCUMENT CONTAINS PROPRIETARY INFORMATION OWNED BY LEADERTECH. IT IS TO BE USED FOR PRIVATE EXPENSE AND MAY NOT BE REPRODUCED, COPIED, OR DISCLOSED IN WHOLE OR IN PART FOR ANY PURPOSE INCLUDING DESIGN, MANUFACTURE OR PROCUREMENT WITHOUT THE WRITTEN PERMISSION OF LEADERTECH. LEADERTECH DOES NOT GUARANTEE OR WARRANT THE PERFORMANCE CHARACTERISTICS.

| ITEM NO. | PART NUMBER | DESCRIPTION | QTY. |
|----------|-------------|-------------|------|
| 1        | SMS-402F    | FRAME       | 1    |
| 2        | SMS-402C    | COVER       | 1    |

UNLESS OTHERWISE SPECIFIED:  
 - ALL DIMENSIONS ARE IN INCHES  
 - PART SHALL BE FREE OF BURRS AND SHARP EDGES  
 - ALL DIMENSIONS SHOWN APPLY BEFORE PLATING AND COATINGS  
 - ROHS COMPLIANT PER EU DIRECTIVE 2011/65/EU  
 - POI = POINT OF INTERSECTION

THIRD ANGLE PROJECTION

DRAWN BY: ACS 2015-04-16  
 APPROVED BY: Nick Demyanovich 2015.05.08 16:27:32 -0400

MATERIAL: MATTE  
 .008" [0.20] PRE TIN STEEL

TITLE: SURFACE MOUNT SHIELD

SCALE: 6:1  
 DWG. NO.: 41674  
 SHEET: 1 OF 1