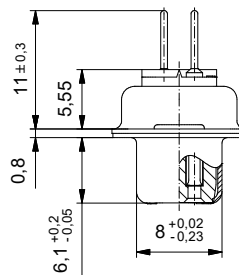
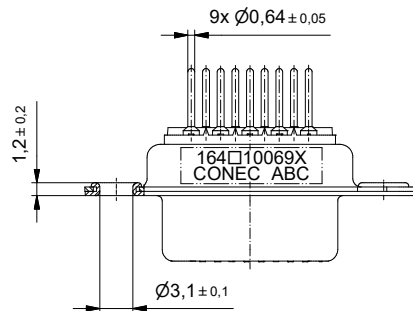
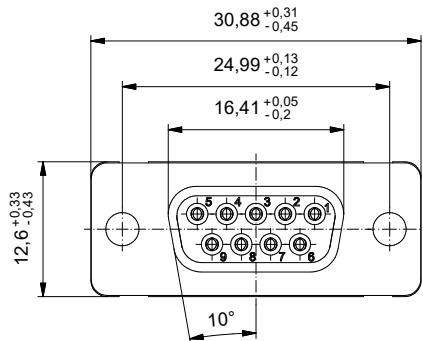
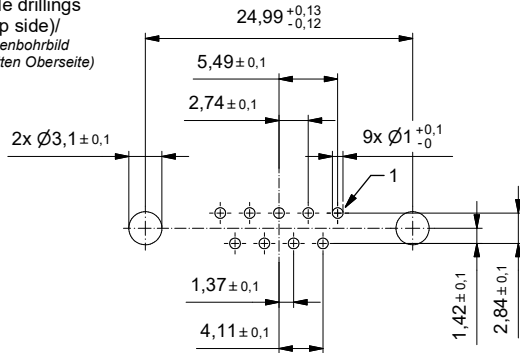


**Technical specification/  
Technische Daten:**

Working voltage/ Betriebsspannung:	125 V AC
Insulation resistance/ Isolationswiderstand:	≥ 5 GΩ
Dielectric withstanding voltage/ Spannungsfestigkeit:	1000 V, 50 Hz, 1 min.
Temperature range/ Temperaturbereich:	- 55 °C ... + 125 °C
Current rating/ Strombelastbarkeit:	7,5 A (UL) / 5 A (CSA, VDE)
Mating cycles/ Steckzyklen:	Quality class 1 = 500 Gütestufe 1 Quality class 2 = 200 Gütestufe 2 Quality class 3 = 50 Gütestufe 3

PCB hole drillings  
(PCB top side)  
Leiterplattenbohrbild  
(Leiterplatten Oberseite)



**Materials/  
Werkstoffe:**

Contact/ Kontakt:	Cu alloy, Au over Ni
Insulator/ Isolierkörper:	PBT GF UL 94 V-0
Shell/ Gehäuse:	Steel, Sn over Ni

Part no. / Part marked/ Art.-Nr. / Bedruckung:	Quality class/ Gütestufe:	Contact plating/ Kontakt Veredelung:
164A10069X	3	Gold flash over nickel Gold über Nickel
164B10069X	2	20 µin hard gold over min. 50 µin nickel 20 µin Gold über min. 50 µin Nickel
164C10069X	1	30 µin hard gold over min. 50 µin nickel 30 µin Gold über min. 50 µin Nickel

Index: a Original	Scale/Maßstab: 2:1		dwg no / Z.-nr.: 16K1A4327	DIN-A3 1 / 1
D-SUB Female 9pos. D-SUB Buchsenleiste 9pol.				

The reproduction, distribution and sale of this document as well as the communication of its contents to others without express authorization is prohibited. Offenders will be held liable for the payment of damages. We reserve the right to withdraw advertising and/or to discontinue the publication of this document.