

\*ø0.65 AT CONTACT PCB TERMINATION LOCATION

DIMENSIONS(mm)			
SIZE	A	B	C
9	39.50	25.00	16.90
15	48.00	33.30	25.25
25	61.50	47.05	38.95
37	77.80	63.50	55.40

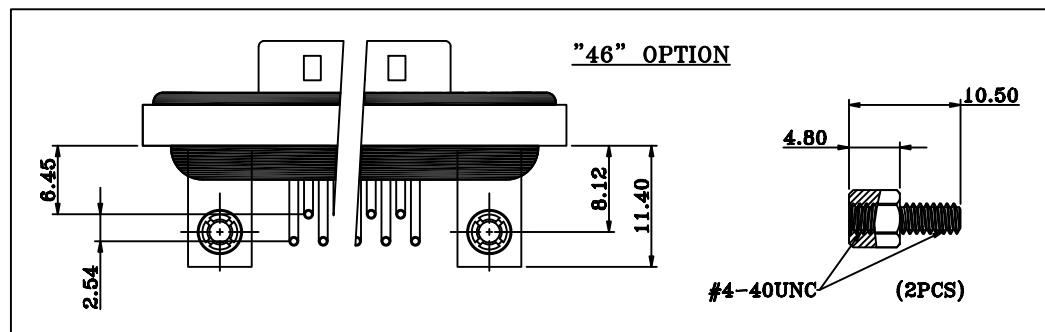
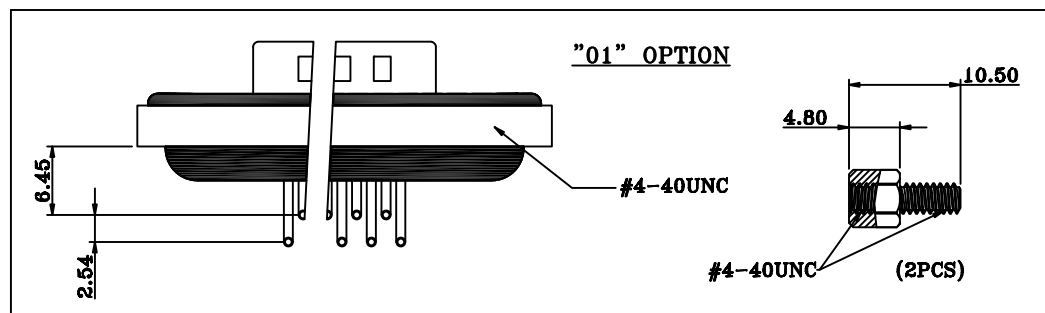
**NOTE:**

**MATERIAL**

- HOUSING
- FLANGE
- CONTACT
- SHELL
- O-RING
- SEALING COMPOUND
- HARDWARE

- PBT UL94V-0, BLACK
- PBT UL94V-0, BLACK
- BRASS, PLATING P/N KEY BELOW
- STEEL, NICKEL
- SILICONE
- EPOXY
- BRASS; NICKEL PLATED

**HARDWARE OPTIONS**



**ELECTRICAL**

- RATED CURRENT 5A
- VOLTAGE 1000 VAC 1 MIN
- INSULATOR RESISTANCE 5 GOhms MIN.
- CONTACT RESISTANCE 10 mOhms MAX.
- WATER PROOF IP67

**ENVIRONMENT**

- OPERATION TEMPERATURE -25°C TO +85°C

**SDF-RYY-113LYYY**

**SERIES**

SDF = STANDARD DSUB FLANGE

**CONTACT TYPE**

R = RIGHT ANGLE PCB MOUNT

**POSITIONS**

- 09
- 15
- 25
- 37

**GENDER**

1 = MALE

**HARDWARE OPTIONS**

- 01 = 4-40 THREADED INSERTS/4-40 JACKSCREWS
- 46 = 4-40 THREADED BRACKETS & BOARD LOCKS/4-40 JACKSCREWS

**CONTACT PLATING OPTIONS**

- 1 = GOLD FLASH
- 2 = 30u" GOLD PLATING

RoHS COMPLIANT



THESE DRAWINGS AND SPECIFICATIONS ARE THE PROPERTY OF NorComp AND SHALL NOT BE REPRODUCED, COPIED OR USED AS THE BASIS FOR THE MANUFACTURE OR SALE OF APPARATUS WITHOUT WRITTEN PERMISSION.

DRAWN:

J. KADEL

DATE:

03/02/2020

**TOLERANCES**

- X. ±0.40
- .X ±0.30
- .XX ±0.20
- .XXX ±0.10

UNITS = mm

DO NOT SCALE FROM DRAWING

**NorComp**

SCALE: NTS

SHEET 1 OF 2

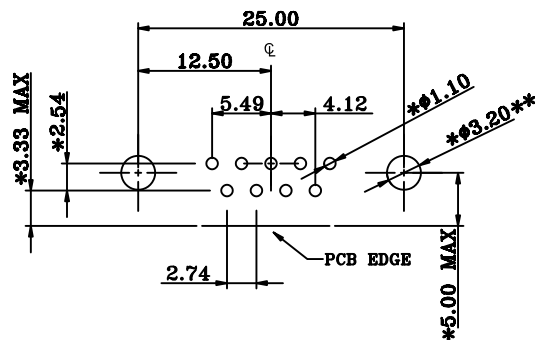
REV 0

DWG NO.

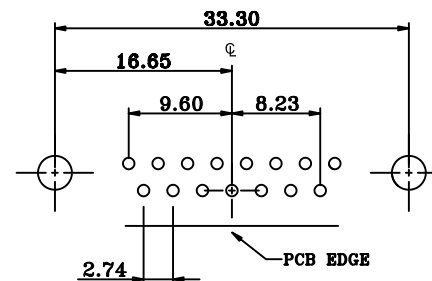
SDF-RYY-113LYYY

**\*\* $\phi$ 3.20MM HOLES NOT NEEDED FOR "01" HARDWARE OPTION**

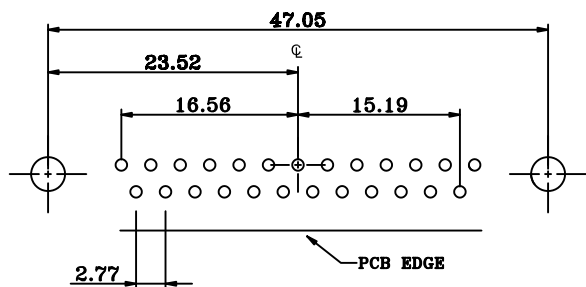
**09 POSITION**



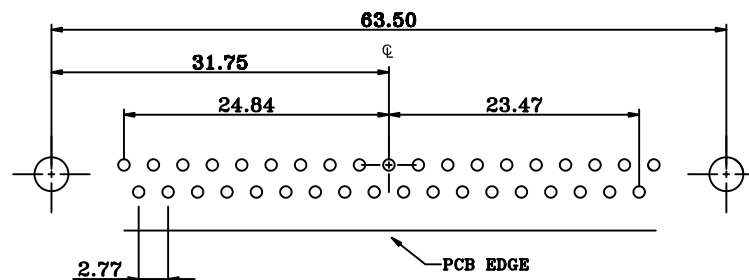
**15 POSITION**



**25 POSITION**



**37 POSITION**



**RECOMMENDED PCB LAYOUT**

**\*TYPICAL // HOLE SIZE MAY NOT BE SUITABLE FOR YOUR SPECIFIC APPLICATION**

**RoHS COMPLIANT**



THESE DRAWINGS AND SPECIFICATIONS ARE THE PROPERTY OF NorComp AND SHALL NOT BE REPRODUCED, COPIED OR USED AS THE BASIS FOR THE MANUFACTURE OR SALE OF APPARATUS WITHOUT WRITTEN PERMISSION.

DRAWN:  
J. KADEL  
DATE:  
03/02/2020

**TOLERANCES**  
X.  $\pm$ 0.40  
.X  $\pm$ 0.30  
.XX  $\pm$ 0.20  
.XXX  $\pm$ 0.10

UNITS = mm

DO NOT SCALE FROM DRAWING

**NorComp**

SCALE:  
NTS  
DWG NO.

SHEET OF  
2 2

REV  
0

SDF-RYY-113LYYY