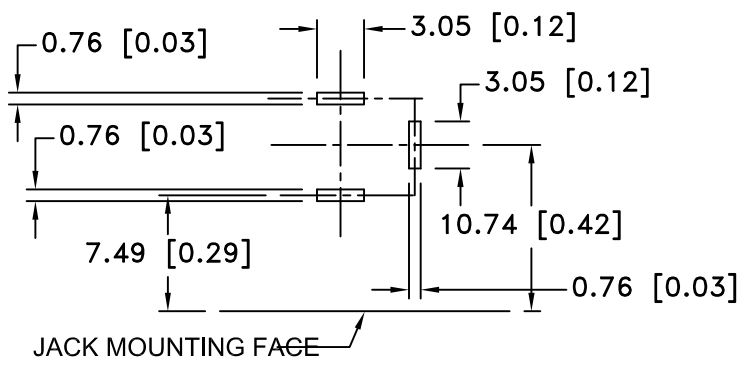
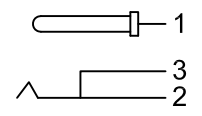


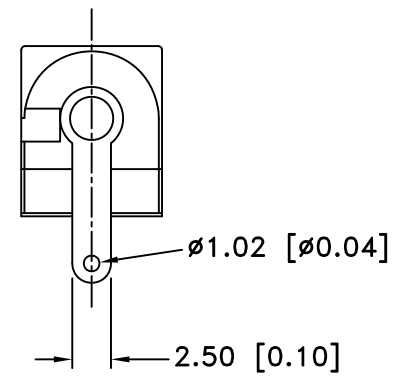
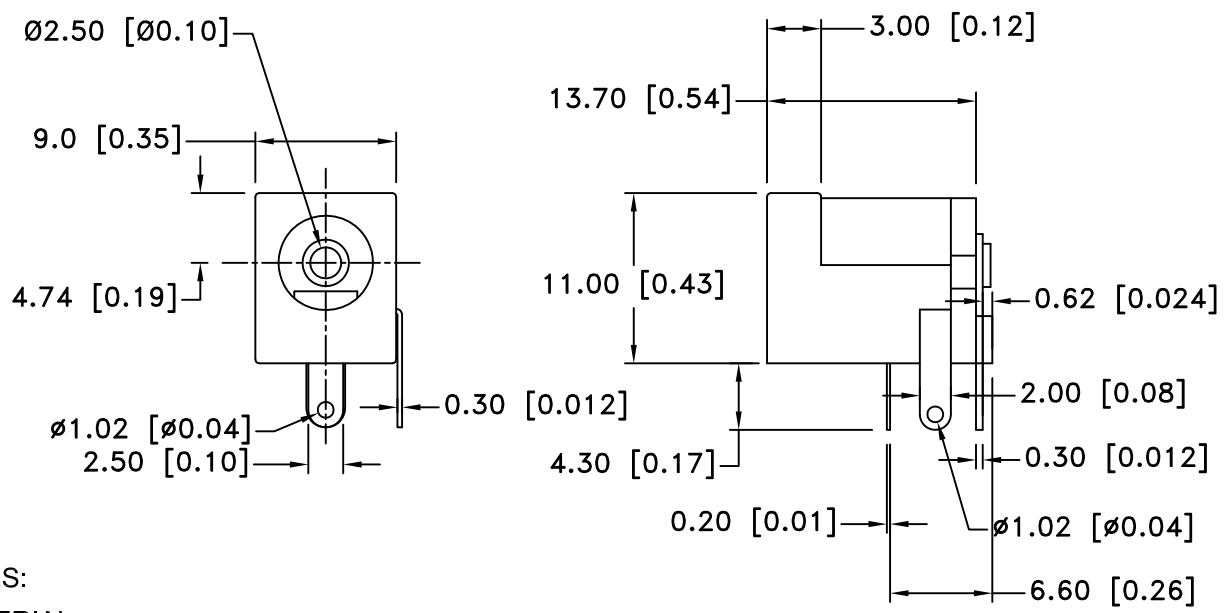
Date	SYM	REVISION RECORD	AUTH	DR.	CK.
3/07/14	A	UPDATED TO ROHS 2 COMPLIANT	T.B.	B.S.	
07/14/16	B	UPDATED LEFT SIDE VIEW	T.B.	B.S.	



PCB LAYOUT



SCHEMATIC



NOTES:


MATERIAL:

- 1) PIN TERMINAL: 0.4T BRASS SILVER PLATED
- 2) SLEEVE SPRING: 0.2T PHOSPHOR BRONZE
- 3) BREAK TERMINAL: 0.3T BRASS
- 4) PIN (Ø2.0): COPPER
- 5) HOUSING: PBT
- 6) COVER: PBT

ELECTRICAL SPECS:

- 1. LIFE: 10,000 INSERTION/WITHDRAWAL CYCLE MINIMUM
- 2. CONTACT RESISTANCE: 50mΩ MAXIMUM
- 3. INSULATION RESISTANCE: 1000mΩ MINIMUM
- 4. DIELECTRIC WITHSTANDING VOLTAGE: 500AC MAXIMUM
- 5. MAXIMUM RATING: 5A, 12V DC

ROHS 2 COMPLIANT

Tolerance (Except as noted)	 Memory Protection Devices, Inc 200 Broad Hollow Road, Farmingdale, New York 11735	Scale	Drawn By B.S.
			Approved By T.B.
decimal ±.5 (.020)	Title DC JACK – PCB MOUNTING 2.5 I.D. x 5.5 O.D.		
Fractional ± .8 (.030)		Date 07/14/16	Drawing Number EJ503B
Angular ± 3°			