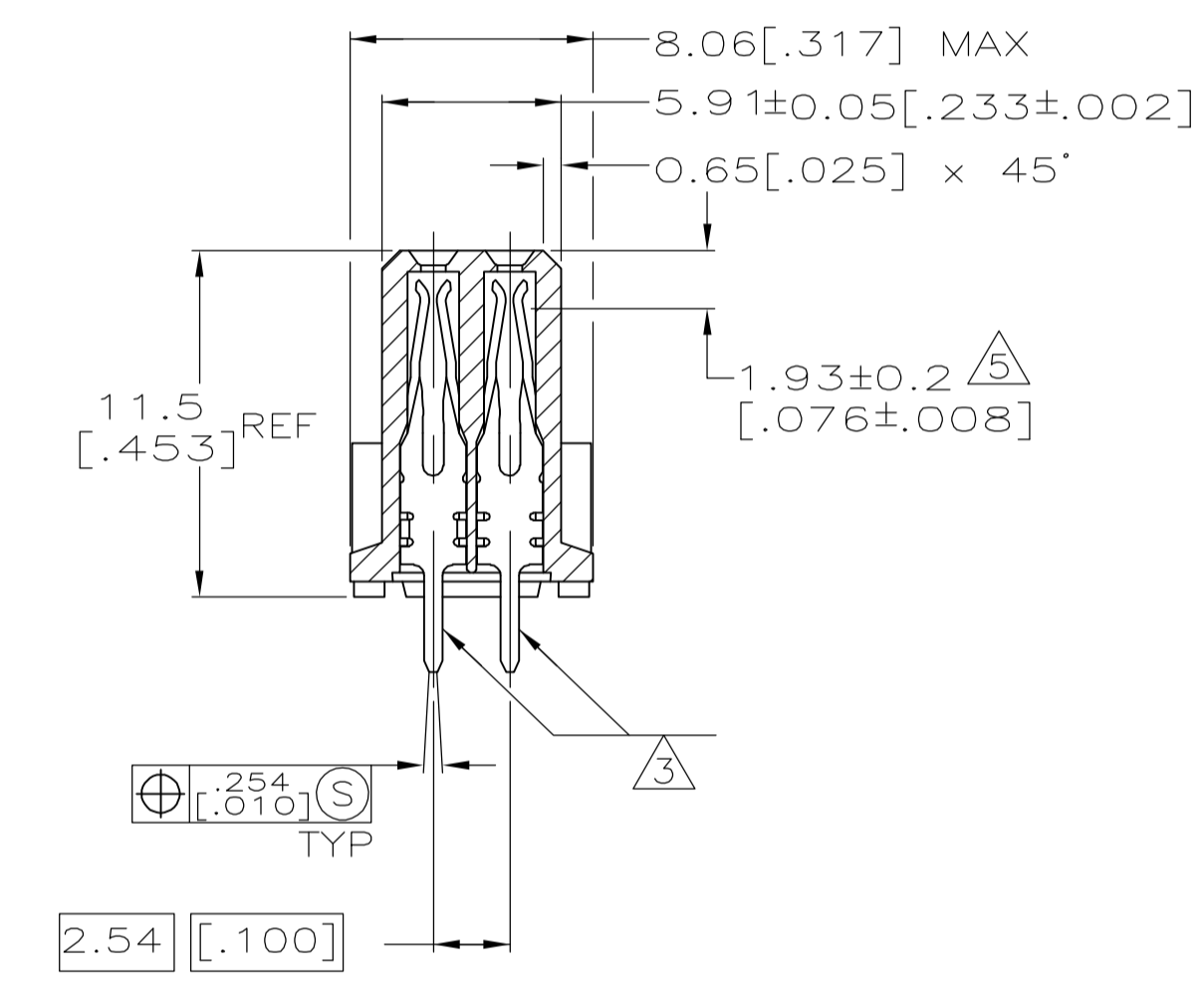
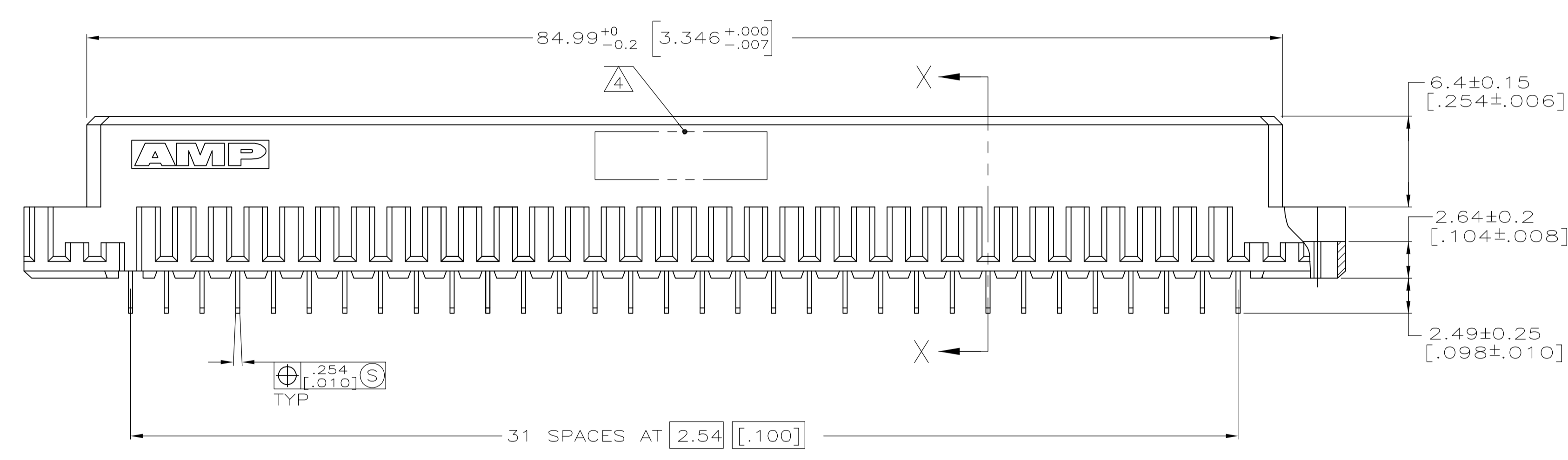
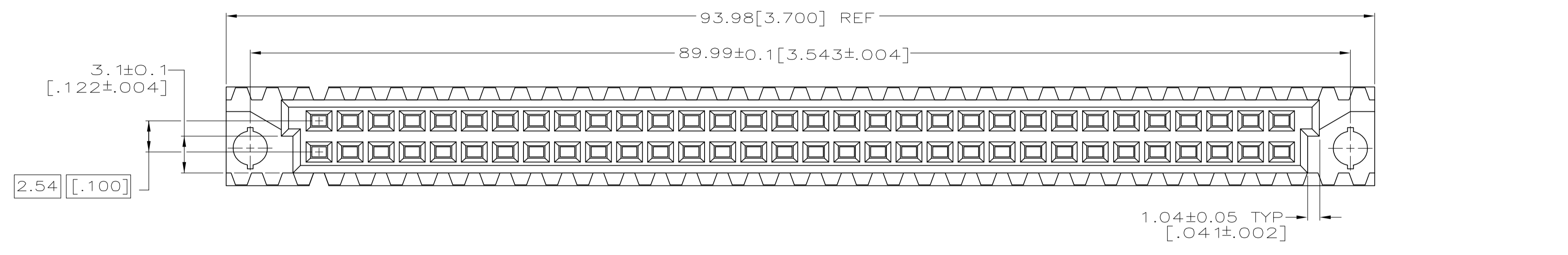
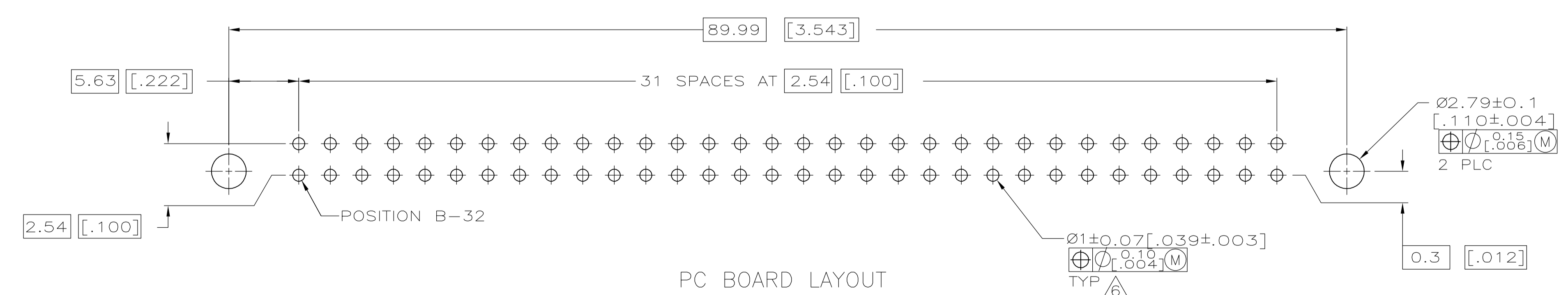
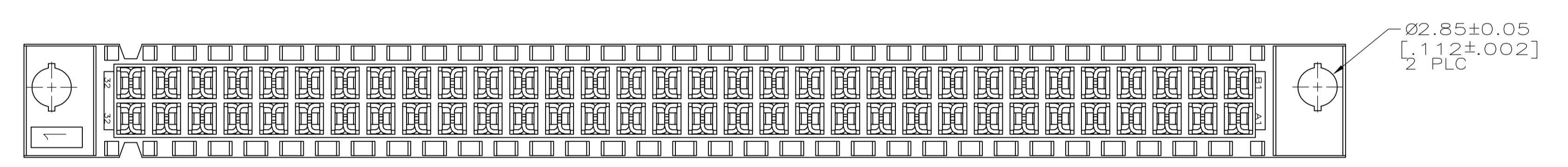


- 1 HOUSING MATERIAL: GLASS-FILLED POLYMER.
- 2 CONTACT MATERIAL: COPPER ALLOY.
- 3 CONTACT FINISH: DIN 41612 CLASS 2 IN CONTACT AREA. TIN PLATE ON POSTS.
- 4 PART NUMBER, DATE CODE IDENTIFICATION, CSA LOGO IN THIS APPROXIMATE AREA, ON REVERSE SIDE.
- 5 CONTACT POINT.
- 6 RECOMMENDED HOLE SIZE FOR MANUAL APPLICATION OF CONNECTOR ONTO PC BOARD.



SECTION X-X



PC BOARD LAYOUT

1 THRU 32	X	X	64	5650859-5
POSITIONS LOADED	B	A	NO. OF LOADED POSITIONS	ASSY PART NUMBER

THIS DRAWING IS A CONTROLLED DOCUMENT.		DIN J. POLIGNONE 03JUN05		Tyco Electronics Corporation	
DIMENSIONS: mm [INCHES]		GJK A. SHARPE 03JUN05		Harrisburg, Pa 17105-3608	
TOLERANCES UNLESS OTHERWISE SPECIFIED:		APVD A. SHARPE 03JUN05		NAME	
0 PLC	± -	PRODUCT SPEC		ASSEMBLY, RECEPTACLE, EUROCARD, TYPE B, LEAD-FREE, 64 POSITION, 2.49 [.098] SOLDER POSTS	
1 PLC	± -	APPLICATION SPEC		SIZE	
2 PLC	± -	WEIGHT		CAGE CODE	
3 PLC	± 0.13 [.005]	CUSTOMER DRAWING		DRAWING NO	
4 PLC	± -	SCALE 4:1		SHEET 1 OF 1	
ANGLES	± -	REV 0		RESTRICTED TO	
MATERIAL		FINISH		A1 00779 C=5650859	