

FT3HN

(Former FOX923CH)

3.2mm x 2.5mm

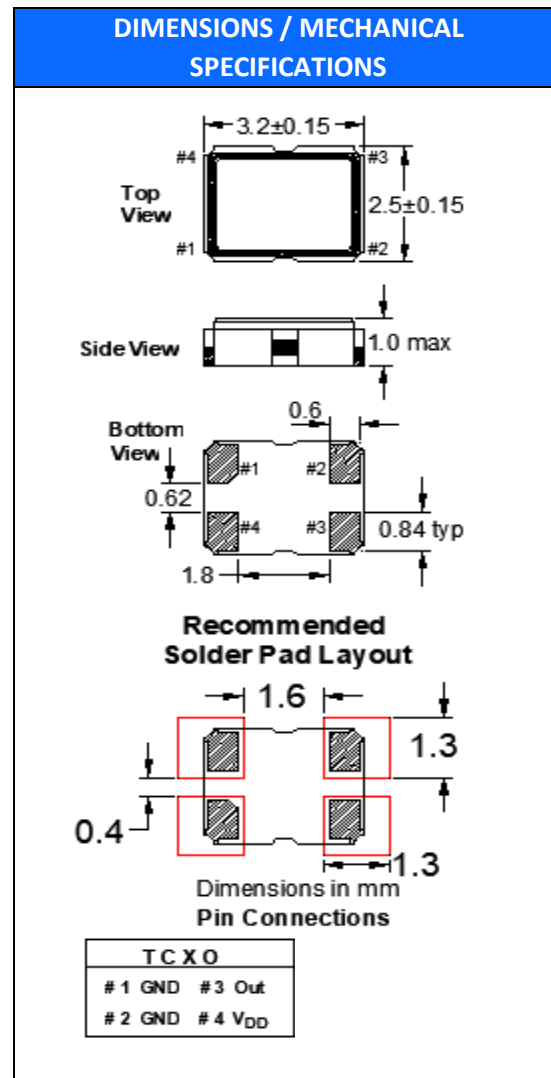
HCMOS TCXO



Features

- Digital Temperature Compensation

STANDARD SPECIFICATIONS	
PARAMETERS	MAX (Unless otherwise noted)
Frequency Range (MHz)	8.0 ~ 40.000
Temperature Range	
Operating (T_{OPR})	(See table below)
Storage (T_{STG})	-40°C ~ +90°C
Supply Voltage (V_{DD})	+3.3 $V_{DC} \pm 5\%$
Input Current (I_{DD})	6.0 mA
Initial Frequency Tolerance @ 25°C (after reflow) ($T3HV: V_c = 1.66V$) ¹	± 2.0 PPM
Frequency Stability	
Over Temperature Range	See table below
Over Supply Voltage Change (3.3V $\pm 5\%$)	± 0.3 PPM
Over Load Change (15pF $\pm 5\%$)	± 0.3 PPM
Rise Time (10% ~90% V_{DD})	5nS
Fall Time (90% ~10% V_{DD})	5nS
Symmetry (50% V_{DD})	40% ~ 60%
Output Voltage (V_{OL})	10% V_{DD}
(V_{OH})	90% V_{DD} Min
Output Load (C_L)	15pF
Aging per year	± 1.0 PPM
Startup Time (T_s)	3.0 mS
Phase Noise @ 1kHz offset	-130 dBc/Hz Typical
Reflow Soldering Temp	260°C / 10 Seconds x 2
Moisture Sensitivity Level (MSL)	1
Termination Finish	Au over Ni
Lead-Free	Yes
RoHS/REACH Compliant	Yes



Available Options by Stability & Operating Temp					
Operating Temperature	± 1 PPM	± 1.5 PPM	± 2 PPM	± 2.5 PPM	± 15 PPM
-30 ~+85°C	O	O	O	O	NA
-40 ~+85°C	Δ	O	O	O	NA
-40 ~+105°C	X	X	X	X	O

Key: O=Available, X=Not Available, NA=Not Applicable, Δ = Consult Fox Engineering

FT3HN

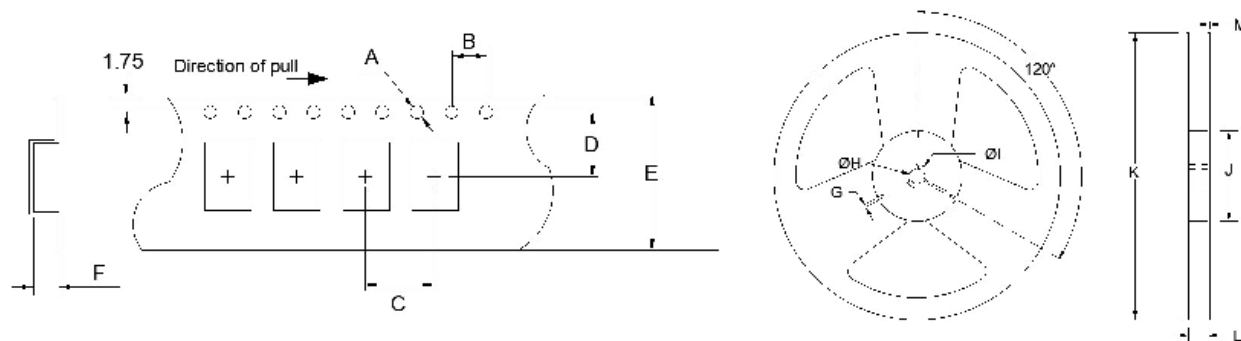
(Former FOX923CH)

3.2mm x 2.5mm

HCMOS TCXO



TAPE SPECIFICATIONS (mm)							REEL SPECIFICATIONS (mm)						
A	B	C	D	E	F	REEL QTY	G	H	I	J	K	L	M
ø1.5	4.0	4.0	3.5	8.0	1.4	-T3 = 3,000 -T2 = 2,000 -T1 = 1,000	2.0	ø13	ø21	ø60	ø180	9.0	1.5



Available Options & Part Identification for TCXO Model FT3HN¹

Sample PN: **FT3HNBPK25.0-T3**

F	T3HN	B	P	K	25.0	-T3
<u>Fox</u>	<u>Model Number</u> T3HN = TCXO	<u>Tolerance</u> B = +3.3V±5%	<u>Stability</u> T = ±1.0 PPM S = ±1.5 PPM R = ±2.0 PPM P = ±2.5 PPM F = ±15 PPM	<u>Operating Temperature</u> K = -30 to +85°C M = -40 to +85°C P = -40 to +105°C	<u>Frequency (MHz)</u>	<u>Values Added Options</u> Blank = Bulk T1 = 1,000 pcs T2 = 2,000 pcs T3 = 3,000 pcs

¹ Not all frequencies in the frequency range, or every combination of stability, temp range, and voltage available. See stabilities/operating temp table.

Reliability Test Conditions

Please contact Abracon Quality Assurance department