



### Product Description:

- Towel Dispenser
- Holds trifold C or Z fold towels
- Keyholes for wall mounting
- White Powder-Coated Steel

### Primary Area for Product Usage:

- Anywhere paper towels are needed

### Dispenses:

- Up to 11.00"L x 3.50"W (folded-width) paper towels

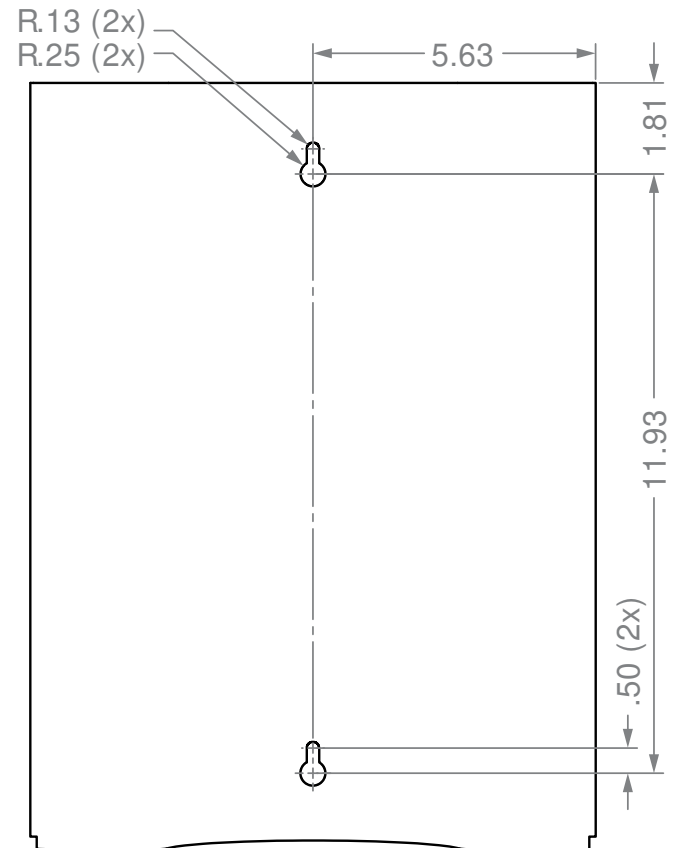
### Package Specifications:

- Package Quantity: 6 per case
- 20"L x 16"W x 12"H (50.8 cm x 40.6 cm x 30.5 cm)
- 23.0 lbs (10.4 kg) - approximated

### Product Specifications (overall external dimensions):

- 11.25"W x 15.25"H x 3.75"D (28.6 cm x 38.7 cm x 9.5 cm)
- 3.9 lbs (1.7 kg) - approximated

### Mounting Specifications:



### Accessories (each sold separately):

- TB-002: Towel Dispenser (shown below)

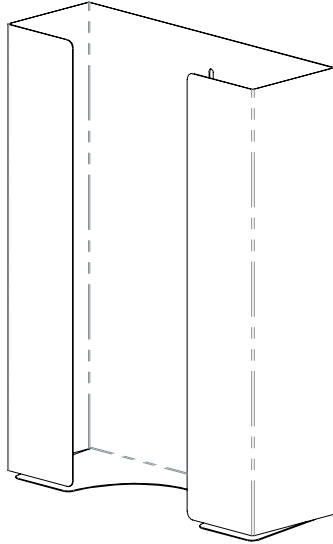




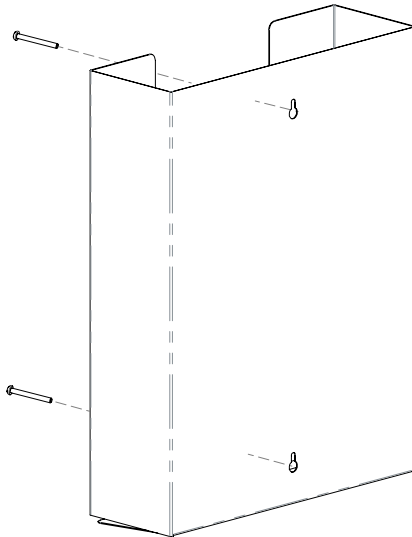
### Installation

Always mount dispensers securely *prior* to loading with product.

- Cutout and angled bottom provide easy access to towels.



- Mount securely to a wall with screws approved and supplied by building maintenance.



#### Parts included:

- Dispenser

#### Tools Required:

- No tools required to assemble dispenser

### Care and Construction

Powder Coated Steel

#### Material Characteristics

#### Designed for Long-Term, Heavy-Duty Applications

Dispensers and stands made of powder coated steel are both attractive and functional, providing years of service. Our powder coated steel dispensers and stands provide long-lasting products that hold up well in tough environments.

Powder coated steel is ideal for dispensers used in a healthcare or an industrial setting. It is impact resistant and is not effected by extremes in temperature.

#### Care and Cleaning

The powder coated finish resists common chemicals and cleaning agents and can be easily wiped clean with soap and water.