

EV-T2M4CC-DC250A-6,0M70ESBK11 - DC charging cable



1130331

<https://www.phoenixcontact.com/us/products/1130331>

Please be informed that the data shown in this PDF document is generated from our online catalog. Please find the complete data in the user documentation. Our general terms of use for downloads are valid.



CHARX connect standard, DC charging cable, with vehicle charging connector and open cable end, for charging electric vehicles (EV) with direct current (DC), with connected PP contact, with replaceable mating face frame, with analog temperature sensors, CCS type 2, IEC 62196-3, 250 A / 1000 V (DC), PHOENIX CONTACT logo, cable: 6 m, black, straight

Product description

DC charging cable with vehicle charging connector and free cable end for fast charging of electric vehicles (EV) with direct current (DC) via CCS type 2 vehicle charging inlets, for installation at charging stations for e-mobility (EVSE)

Your advantages

- Complete product range
- The right charging cable for every application, from the carport to the charging park
- Convenient handling due to the ergonomic design
- Available with your logo on request – for consistent branding of your charging station
- Developed and produced in accordance with the IATF 16949 automotive standard and ISO 9001

Commercial data

| | |
|--------------------------------------|---------------|
| Item number | 1130331 |
| Packing unit | 1 pc |
| Minimum order quantity | 1 pc |
| Sales key | EM01 |
| Product key | XWBAAD |
| GTIN | 4063151058968 |
| Weight per piece (including packing) | 14,680 g |
| Weight per piece (excluding packing) | 14,680 g |
| Customs tariff number | 85444290 |
| Country of origin | PL |

EV-T2M4CC-DC250A-6,0M70ESBK11 - DC charging cable



1130331

<https://www.phoenixcontact.com/us/products/1130331>

Technical data

Product properties

| | |
|-------------------|--|
| Product type | DC charging cable |
| Product family | CHARX connect standard |
| Application | for charging electric vehicles (EV) with direct current (DC) for installation at charging stations for electromobility (EVSE) |
| Type | DC charging cable with vehicle charging connector and open cable end |
| Design | with connected PP contact with replaceable mating face frame with analog temperature sensors |
| Technology | Combined Charging System |
| Affixed logo | PHOENIX CONTACT logo |
| Label | 14.1 mm x 44.8 mm (customer logo on request) |
| Charging standard | CCS type 2 |
| Charging mode | Mode 4 |

Electrical properties

| | |
|-------------------------------|--|
| Type of signal transmission | Pulse width modulation with modulated Powerline communication in accordance with ISO/IEC 15118 / DIN SPEC 70121 |
| Note on the connection method | Crimp connection, cannot be disconnected |
| Coding | 1500 Ω (between PE and PP) PP signal contact connected to cable |
| Temperature monitoring | 2x Pt 1000 |
| Type of charging current | DC |
| Charging power | 250 kW |
| Charging current | 250 A |
| Type of charging current | DC Boost Mode |
| Charging power | up to 500 kW (Boost Mode, depending on the ambient conditions. For detailed information, see the packing slip in the download area for this item.) |
| Charging current | up to 500 A (Boost Mode, depending on the ambient conditions. For detailed information, see the packing slip in the download area for this item.) |

Power contact

| | |
|---------------|---------------------|
| Number | 3 (PE, DC+, DC-) |
| Rated voltage | 1000 V DC |
| Rated current | 250 A (up to 40 °C) |

Signal contact

| | |
|---------------|------------|
| Number | 2 (CP, PP) |
| Rated voltage | 30 V AC |
| Rated current | 2 A |

EV-T2M4CC-DC250A-6,0M70ESBK11 - DC charging cable



1130331

<https://www.phoenixcontact.com/us/products/1130331>

Temperature sensors (Pt 1000)

| | |
|------------------------------|--|
| Sensor type | Pt 1000 |
| Standards/regulations | DIN EN 60751 |
| Attachment point | Sensor for the DC contacts |
| Switch-off temperature | 90 °C ±1 K (equivalent to a Pt 1000 value of 1346.5 Ω) |
| Long-term stability | 0.06 % (after 1000 hours at 130 °C) |
| Recommended measured current | 1 mA (1 V at 0°C) |
| Coefficient | 3850 ppm/K |
| Ambient temperature | -50 °C ... 130 °C (Operation) |

Dimensions

Vehicle charging connector

| | |
|--------|--------|
| Width | 75 mm |
| Height | 139 mm |
| Depth | 267 mm |

Material specifications

| | |
|---------------------------------------|--------------|
| Color (Housing) | black (9005) |
| Color (Handle area) | gray (7042) |
| Color (Mating face) | black (9005) |
| Color (Protective cap) | black (9005) |
| Color (Cable) | black (9005) |
| Material (Vehicle charging connector) | Plastic |
| Material (Cable outer sheath) | TPE-U |
| Material (Contact surface) | Silver |

Cable/line

| | |
|--------------------------------|--|
| Cable length | 6 m ±45 mm |
| Wiring standards/regulations | DIN EN 50620 |
| Wiring certifications | VDE-Reg. |
| Cable weight | max. 2300 kg/km |
| Cable type | Class 6 |
| Cable type | straight |
| Cable structure | 2 x 70 mm ² + 1 x 35 mm ² + 3 x 2 x 0.75 mm ² |
| External cable diameter | 32 mm ±0.4 mm |
| Outer sheath, material | TPE-U |
| Stripping length of the sheath | 140 mm ±10 mm |
| Cable resistance | ≤ 0.000272 Ω/m (based on a power core, at an ambient temperature of 20°C) |
| Bending radius | min. 320 mm (10x diameter) |

Mechanical properties

Mechanical data

EV-T2M4CC-DC250A-6,0M70ESBK11 - DC charging cable



1130331

<https://www.phoenixcontact.com/us/products/1130331>

| | |
|-----------------------------|---------|
| Insertion/withdrawal cycles | > 10000 |
| Insertion force | < 100 N |
| Withdrawal force | < 100 N |

Environmental and real-life conditions

Ambient conditions

| | |
|---|--|
| Degree of protection (Vehicle charging connector) | IP44 (plugged in; when plugged in and ready to operate, the degree of protection is only ensued if both plug-in components are original products from Phoenix Contact or suitable standard-compliant products) |
| Ambient temperature (operation) | -30 °C ... 40 °C max. 55 °C (Current reduction required, observe the DC contact temperature limit value of 90°C) |
| Ambient temperature (storage/transport) | -40 °C ... 80 °C |
| Altitude | 5000 m (above sea level) |

Standards and regulations

Standards

| | |
|-----------------------|-------------|
| Standards/regulations | IEC 62196-3 |
|-----------------------|-------------|

EV-T2M4CC-DC250A-6,0M70ESBK11 - DC charging cable

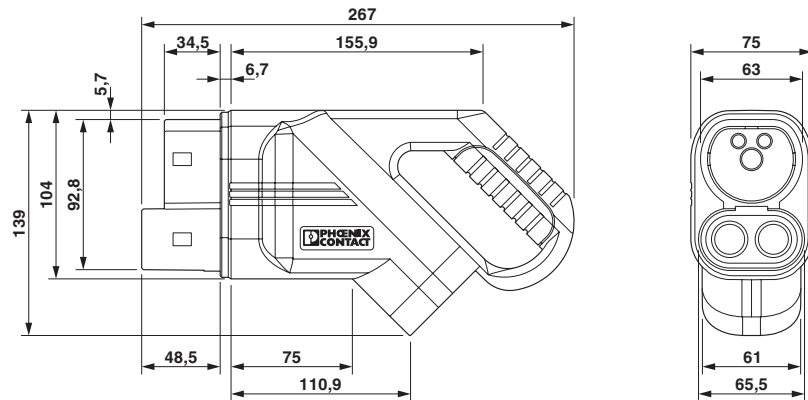


1130331

<https://www.phoenixcontact.com/us/products/1130331>

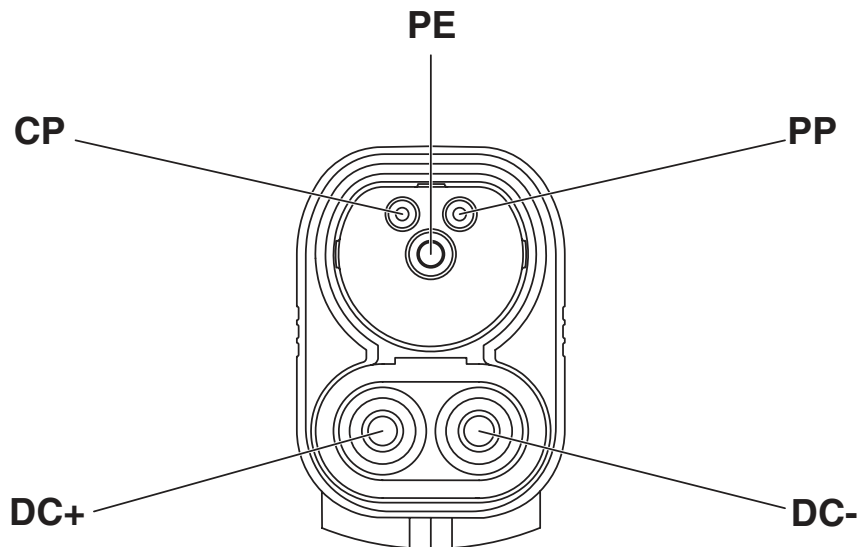
Drawings

Dimensional drawing



Make sure that the vehicle charging connector is placed in an appropriate charging connector holder, which ensures a minimum protection rating of IP24 in accordance with IEC 61851-1, for the entire time between charging. To create this charging connector holder, use the dimensions of the vehicle charging connector. Detailed dimensions can also be found in the Download area.

Schematic diagram



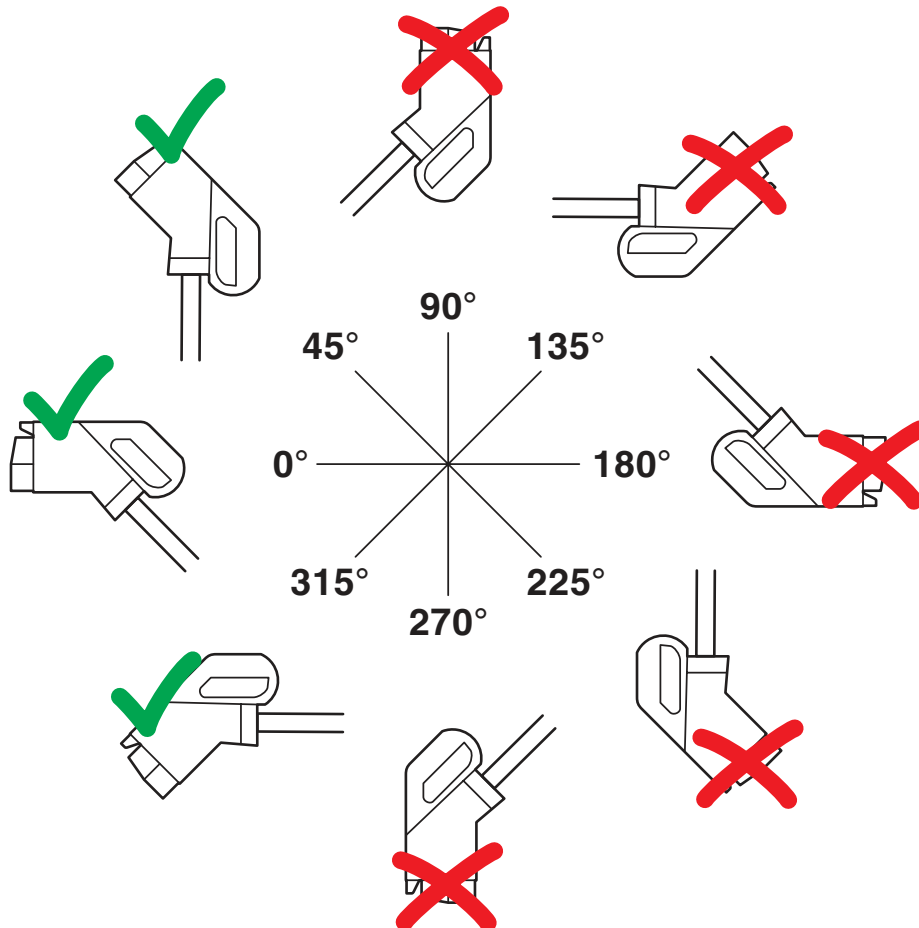
Pin assignment of the Vehicle Connector

EV-T2M4CC-DC250A-6,0M70ESBK11 - DC charging cable

1130331

<https://www.phoenixcontact.com/us/products/1130331>

Schematic diagram



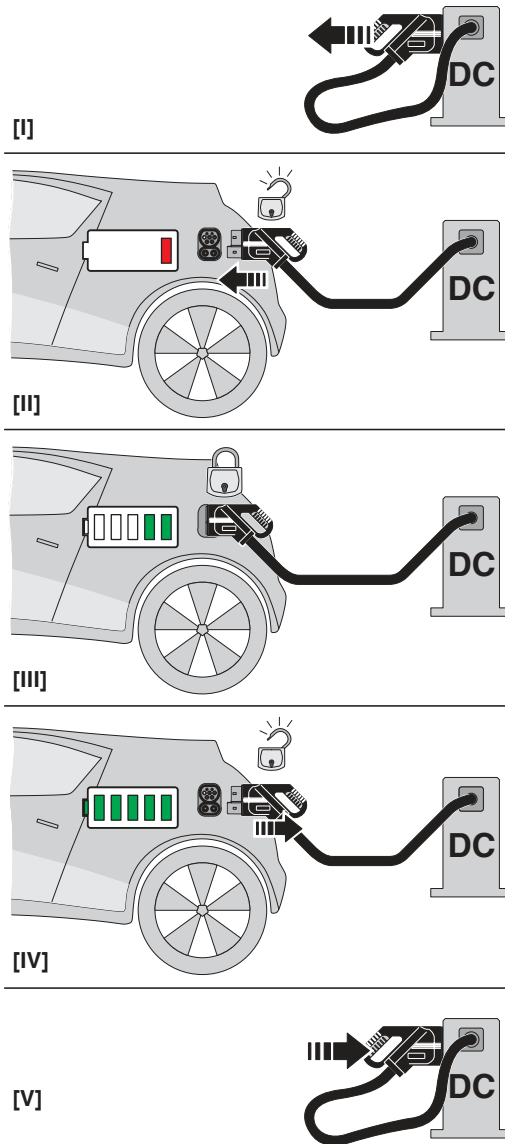
The resting position must be installed in the charging station such that the user cannot hang up the vehicle connector upside down (90° to 270°). However, positions rotated upward (45°) or downward (315°) are options for a resting position.

EV-T2M4CC-DC250A-6,0M70ESBK11 - DC charging cable

1130331

<https://www.phoenixcontact.com/us/products/1130331>

Schematic diagram



Operating instructions

EV-T2M4CC-DC250A-6,0M70ESBK11 - DC charging cable




1130331

<https://www.phoenixcontact.com/us/products/1130331>

Approvals

To download certificates, visit the product detail page: <https://www.phoenixcontact.com/us/products/1130331>

|  IECEE CB Scheme Approval ID: DE1-65588/M1 | | Nominal voltage U_N | Nominal current I_N | Cross section AWG | Cross section mm^2 |
|---|--|-----------------------|-----------------------|-------------------|-----------------------------|
| | | 1000 V | 250 A | - | - |

EV-T2M4CC-DC250A-6,0M70ESBK11 - DC charging cable



1130331

<https://www.phoenixcontact.com/us/products/1130331>

Classifications

ECLASS

| | |
|-------------|----------|
| ECLASS-11.0 | 27144705 |
| ECLASS-12.0 | 27144705 |
| ECLASS-13.0 | 27144705 |

ETIM

| | |
|----------|----------|
| ETIM 8.0 | EC002897 |
|----------|----------|

EV-T2M4CC-DC250A-6,0M70ESBK11 - DC charging cable



1130331

<https://www.phoenixcontact.com/us/products/1130331>

Environmental product compliance

| | |
|------------|---|
| REACH SVHC | Lead 7439-92-1 |
| China RoHS | Environmentally Friendly Use Period = 10; For information on hazardous substances, refer to the manufacturer's declaration available under "Downloads" |

EV-T2M4CC-DC250A-6,0M70ESBK11 - DC charging cable



1130331

<https://www.phoenixcontact.com/us/products/1130331>

Accessories

EV-T2CCS-PARK - Charging connector holder

1624153

<https://www.phoenixcontact.com/us/products/1624153>



CHARX connect standard, Charging connector holder, Accessories, for vehicle charging connectors on charging stations (EVSE), CCS type 2, IEC 62196-3, Front mounting, housing: black, Item is not compatible with the HPC CCS type 2 charging cable from Phoenix Contact.

EV-PLCC-AC1-DC1 - DC charging controller

1624130

<https://www.phoenixcontact.com/us/products/1624130>



Programmable charging controller for DC and AC charging of electric vehicles in accordance with IEC 61851-1,-23, DIN SPEC 70121, and CHAdeMO, with integrated cellular modem

EV-T2M4CC-DC250A-6,0M70ESBK11 - DC charging cable



1130331

<https://www.phoenixcontact.com/us/products/1130331>

EV-T2CCS-MF-M4X45-BIT - Repair kit

1085796

<https://www.phoenixcontact.com/us/products/1085796>



CHARX connect standard, Repair kit, Accessories, with replaceable mating face frame, with 5x M4X45 rounded head screws with Torx security drive, with special bit for insulated screwdriver, for replacement of the mating face frame of vehicle charging connectors, CCS type 2, IEC 62196-3, housing: black, The vehicle connector housing does not have to be opened in order to replace the mating face frame.

EV-T2CCS-MF-M4X45 - Repair kit

1081734

<https://www.phoenixcontact.com/us/products/1081734>



CHARX connect standard, Repair kit, Accessories, with replaceable mating face frame, with 5x M4X45 rounded head screws with Torx security drive, for replacement of the mating face frame of vehicle charging connectors, CCS type 2, IEC 62196-3, housing: black, The vehicle connector housing does not have to be opened in order to replace the mating face frame.

EV-T2M4CC-DC250A-6,0M70ESBK11 - DC charging cable



1130331

<https://www.phoenixcontact.com/us/products/1130331>

G-INS-M50-L68L-PNES-BK - Cable gland

1411138

<https://www.phoenixcontact.com/us/products/1411138>



Cable gland, material for screw connection: PA, external cable diameter 30 mm .
.. 36 mm, shielding: no, connecting thread: M50 x 1.5, color: jet black RAL 9005

EV-LABEL-K - Label

1309761

<https://www.phoenixcontact.com/us/products/1309761>



CHARX connect, Label, Accessories, for CCS type 2 vehicle charging connector,
DIN EN 17186, adhesive

EV-T2M4CC-DC250A-6,0M70ESBK11 - DC charging cable



1130331

<https://www.phoenixcontact.com/us/products/1130331>

EV-LABEL-L - Label

1309765

<https://www.phoenixcontact.com/us/products/1309765>

CHARX connect, Label, Accessories, for CCS type 2 vehicle charging connector, DIN EN 17186, adhesive



CHARX PS/3AC/920DC/87.5KW - DC power module

1162690

<https://www.phoenixcontact.com/us/products/1162690>

CHARX power basic, Fast charging module for setting up DC charging stations, Rack mounting, input: 3-phase, output: 200 V DC...920 V DC / 125 A. The corresponding system control cabinet CHARX PS-CAB/4x87.5KW (Item No. 1165442) is necessary for operating the DC power module



EV-T2M4CC-DC250A-6,0M70ESBK11 - DC charging cable



1130331

<https://www.phoenixcontact.com/us/products/1130331>

CHARX PS-M2/3AC/1000DC/30KW - DC power module

1232243

<https://www.phoenixcontact.com/us/products/1232243>

CHARX power basic, Fast charging module for setting up DC charging stations, 19" rack mounting, CAN bus, input: 3-phase, output: 150 V DC...1000 V DC / 0 A...100 A



CHARX PS-M2/825DC/1000DC/30KW - DC power module

1296467

<https://www.phoenixcontact.com/us/products/1296467>

CHARX power basic, Fast charging module for setting up DC charging stations, 19" rack mounting, CAN bus, output: 150 V DC...1000 V DC / 0 A...100 A



Phoenix Contact 2023 © - all rights reserved
<https://www.phoenixcontact.com>

Phoenix Contact USA
586 Fulling Mill Road
Middletown, PA 17057, United States
(+717) 944-1300
info@phoenixcon.com