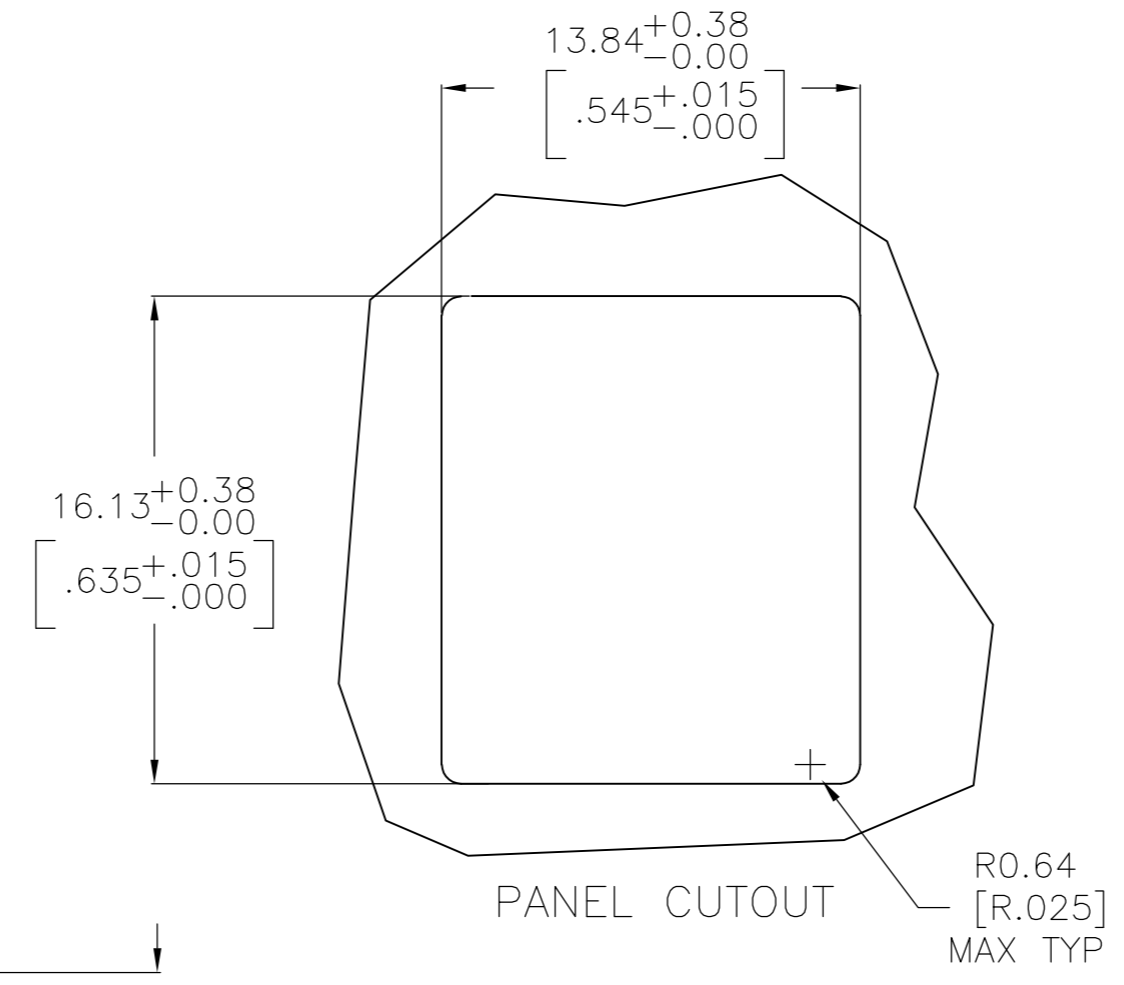
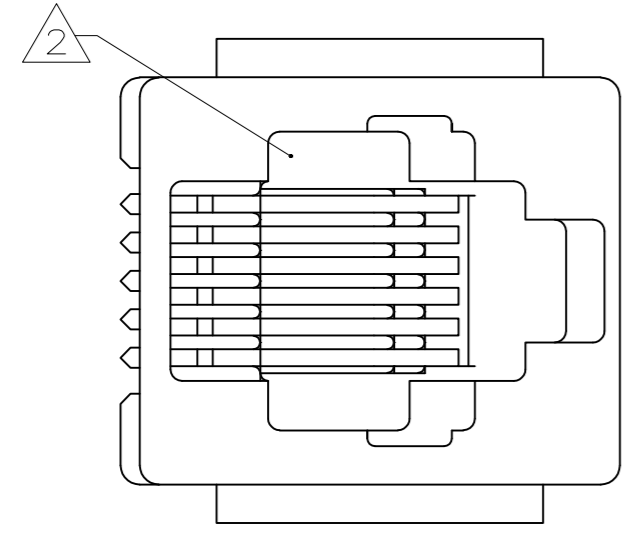


THIS DRAWING IS UNPUBLISHED. RELEASED FOR PUBLICATION
 © COPYRIGHT - By - ALL RIGHTS RESERVED.

LOC		DIST		REVISIONS			
P	LTR	DESCRIPTION	DATE	DWN	APVD		
AA	00	B1	REVISED PER ECO-11-005033	23MAR11	RK	HMR	

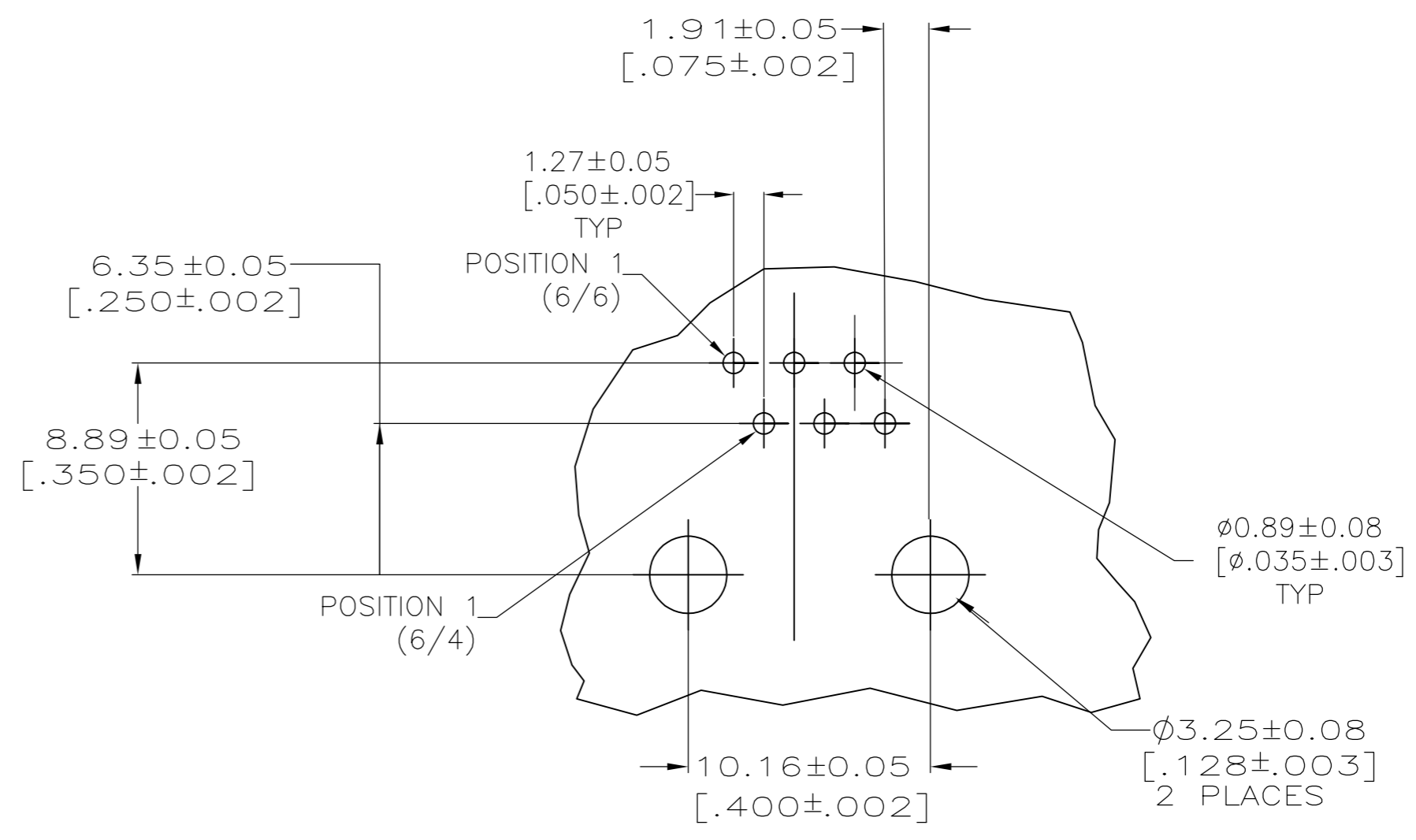
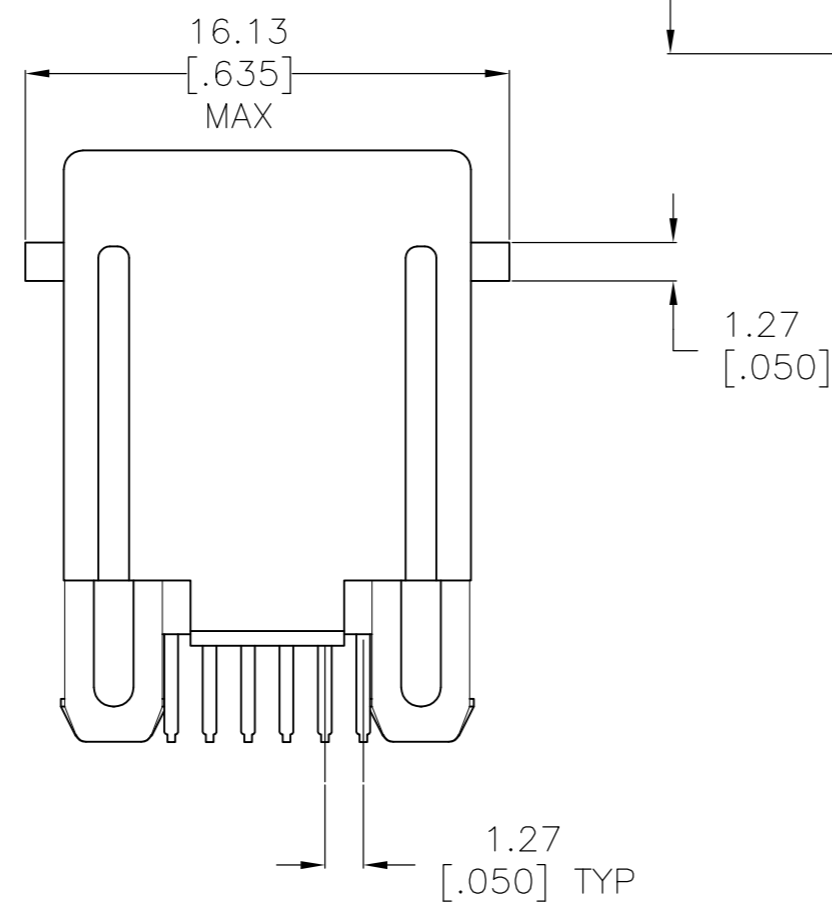
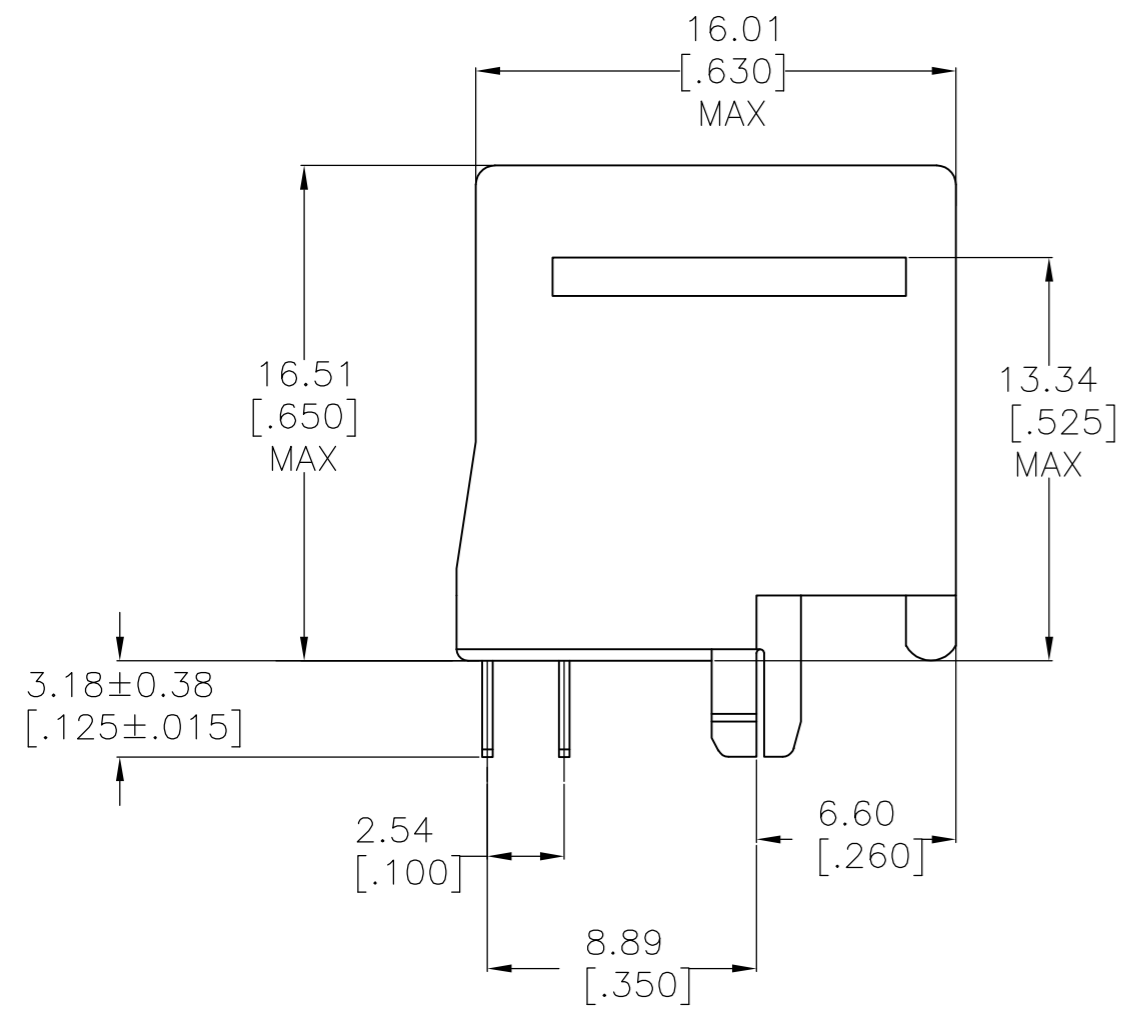


1. MATERIAL: HOUSING - BLACK PBT POLYESTER, BLACK, UL 94V-0.
 TERMINAL - 0.36 [.014] THICK PHOS-BRONZE PLATED WITH 1.27µm [.000050] MINIMUM THICK GOLD IN LOCALIZED AREA AND 3.81µm [.000150] MINIMUM THICK MATTE TIN IN SOLDER AREA OVER 1.27µm [.000050] MINIMUM THICK NICKEL UNDERPLATE.

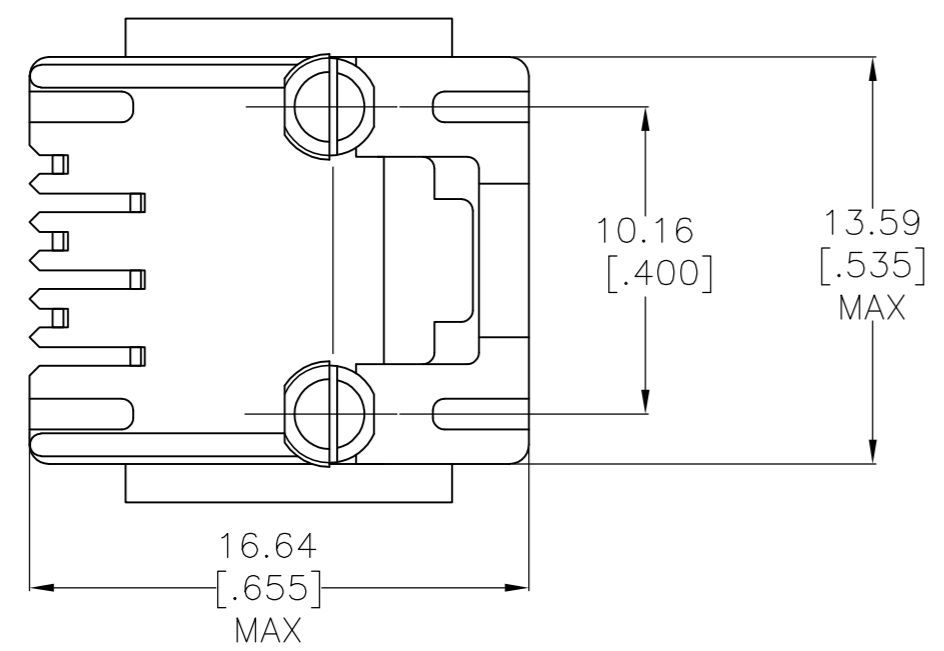
△ JACK CAVITY CONFORMS TO FCC RULES AND REGULATIONS PART 68 AND REA BULLETIN 345-81, PE-76 SPECIFICATION FOR MODULAR TELEPHONE HARDWARE.

△ BULK PACKAGE IN A TRAY

△ PACKAGED 28 PIECES PER TUBE



SUGGESTED PC BOARD LAYOUT
 COMPONENT SIDE



PACKAGED	CONTACTS	PART NUMBER
△4	6	5520258-4
△3	6	5520258-3
△3	4	5520258-2

THIS DRAWING IS A CONTROLLED DOCUMENT.		DWN L.A.MAYER 16AUG2007	STE TE Connectivity	
DIMENSIONS: mm [INCHES]		CHK P.RECCE 16AUG2007		
TOLERANCES UNLESS OTHERWISE SPECIFIED:		APVD S.FLICKINGER 16AUG2007	NAME	
0 PLC ± -		PRODUCT SPEC	MODULAR JACK ASSEMBLY, TOP ENTRY, 6 POSITION, FLANGELESS, WITH PANEL STOPS	
1 PLC ± -		108-1163	SIZE	CAGE CODE
2 PLC ± 0.13[.005]		APPLICATION SPEC	A2	00779
3 PLC ± -		114-2048	DRAWING NO	RESTRICTED TO
4 PLC ± -		WEIGHT -	C=5520258	-
ANGLES ± -		CUSTOMER DRAWING	SCALE 4:1	SHEET 1 OF 1
FINISH	SEE NOTE 1		REV B1	