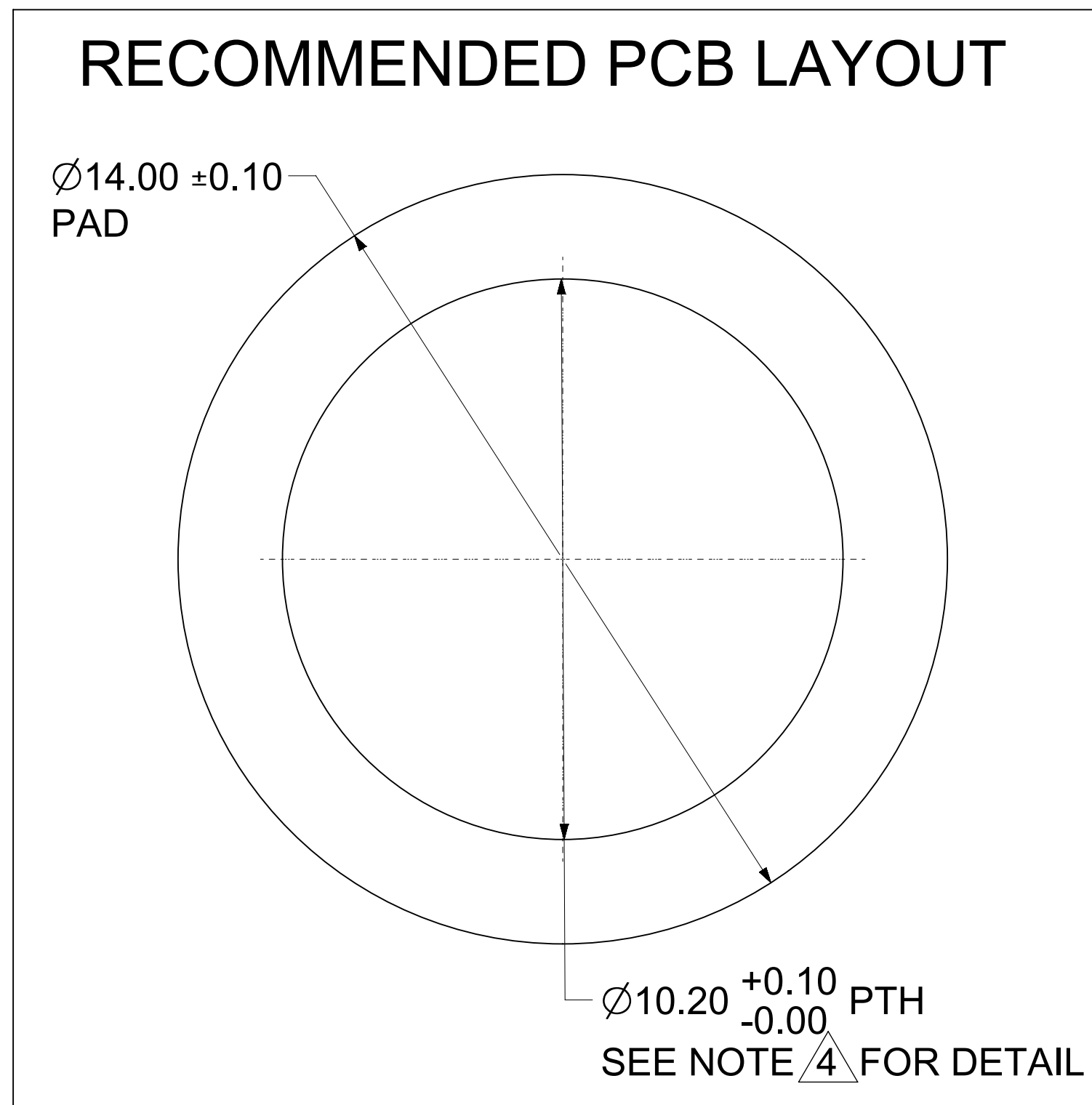
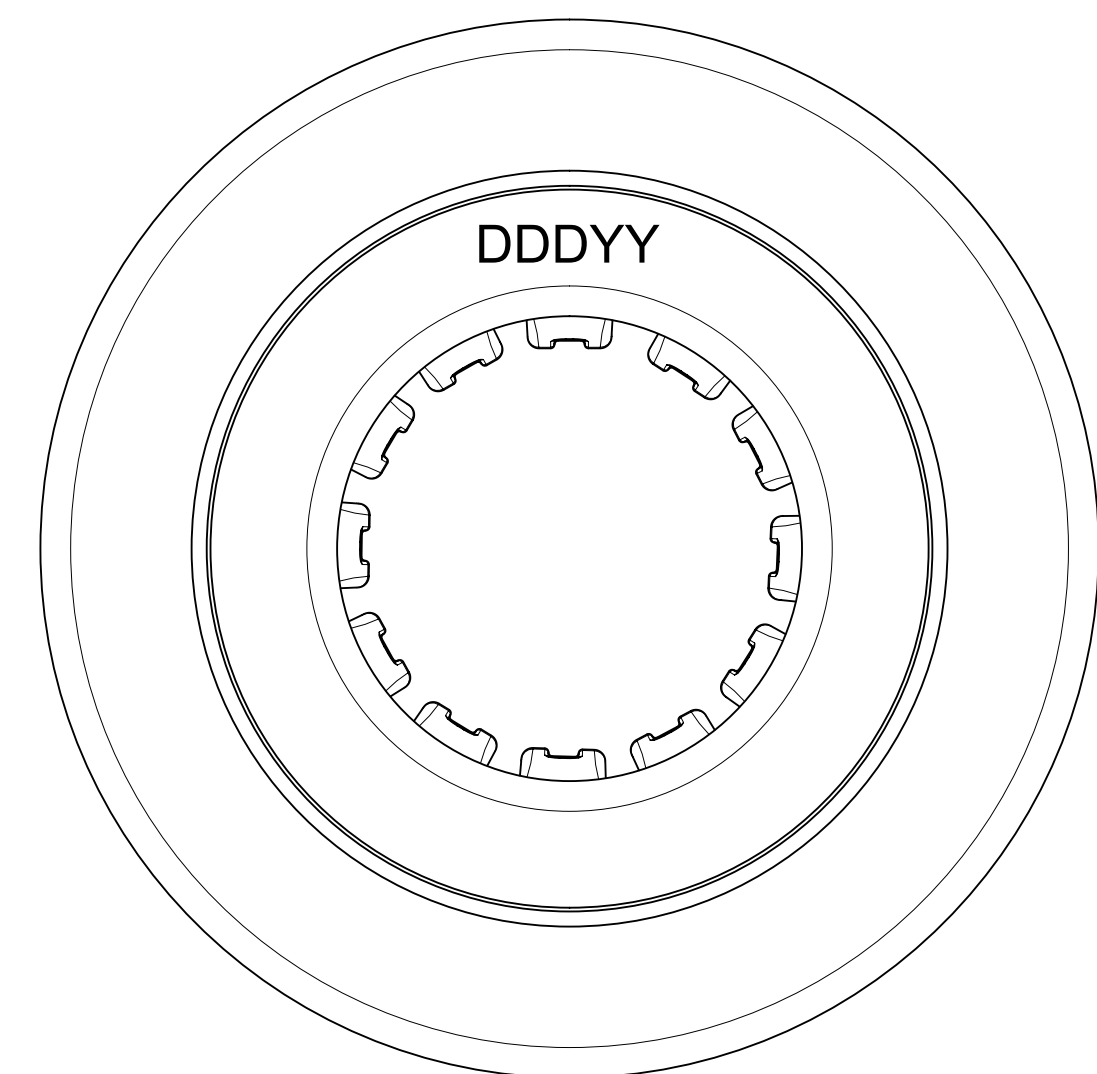
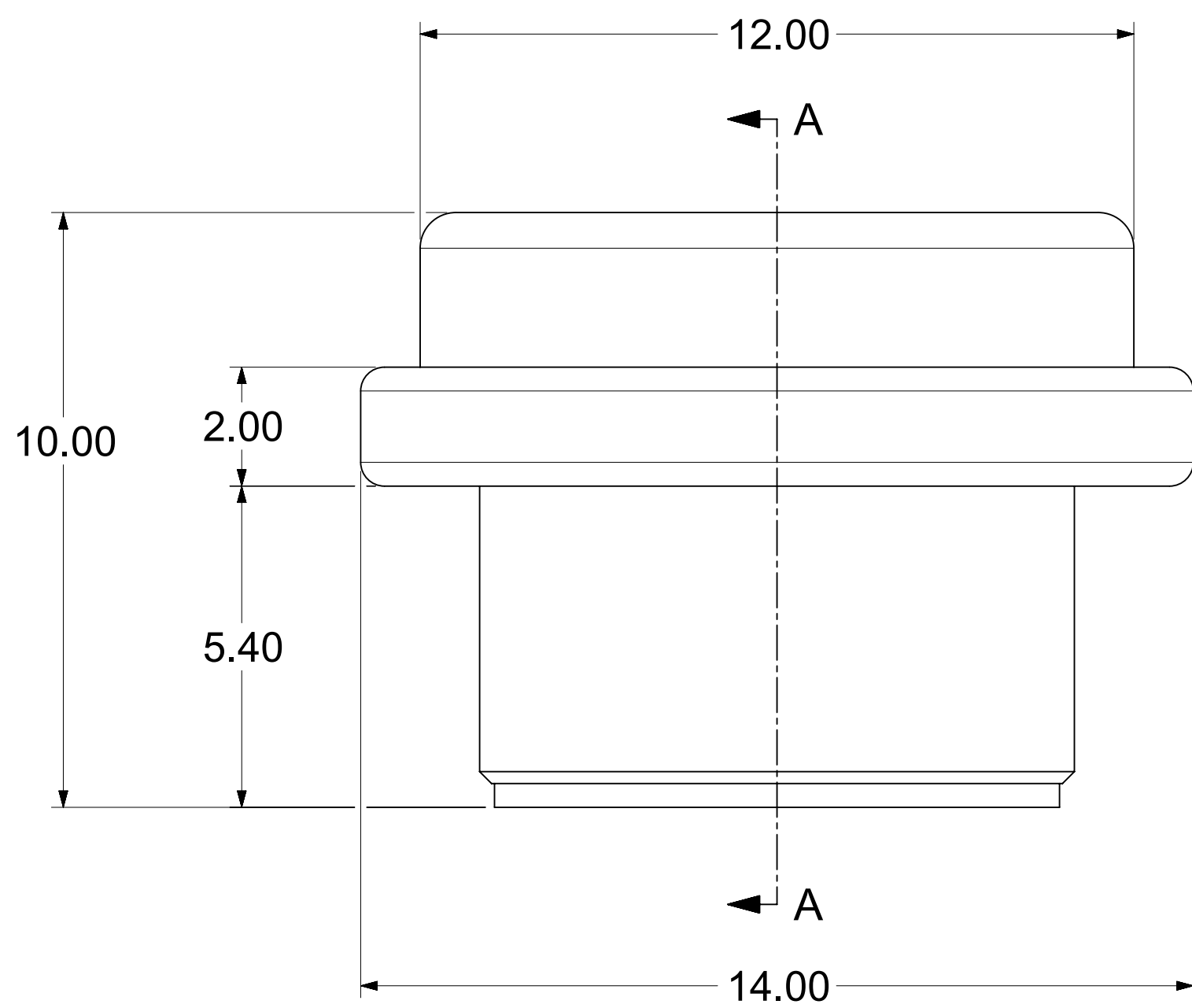


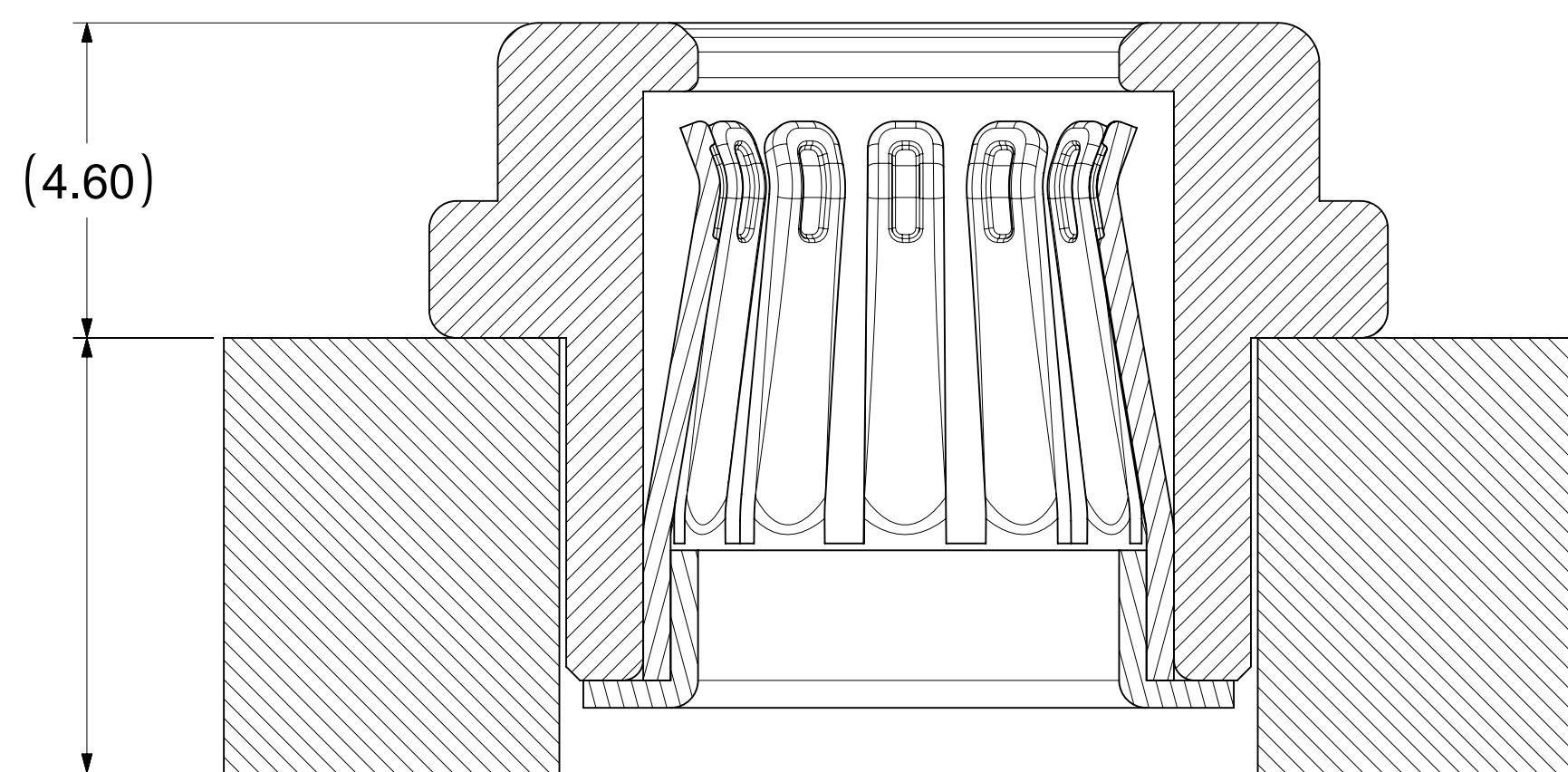
REMOVABLE
PICK AND PLACE
CAP SHOWN



RECOMMENDED PCB LAYOUT

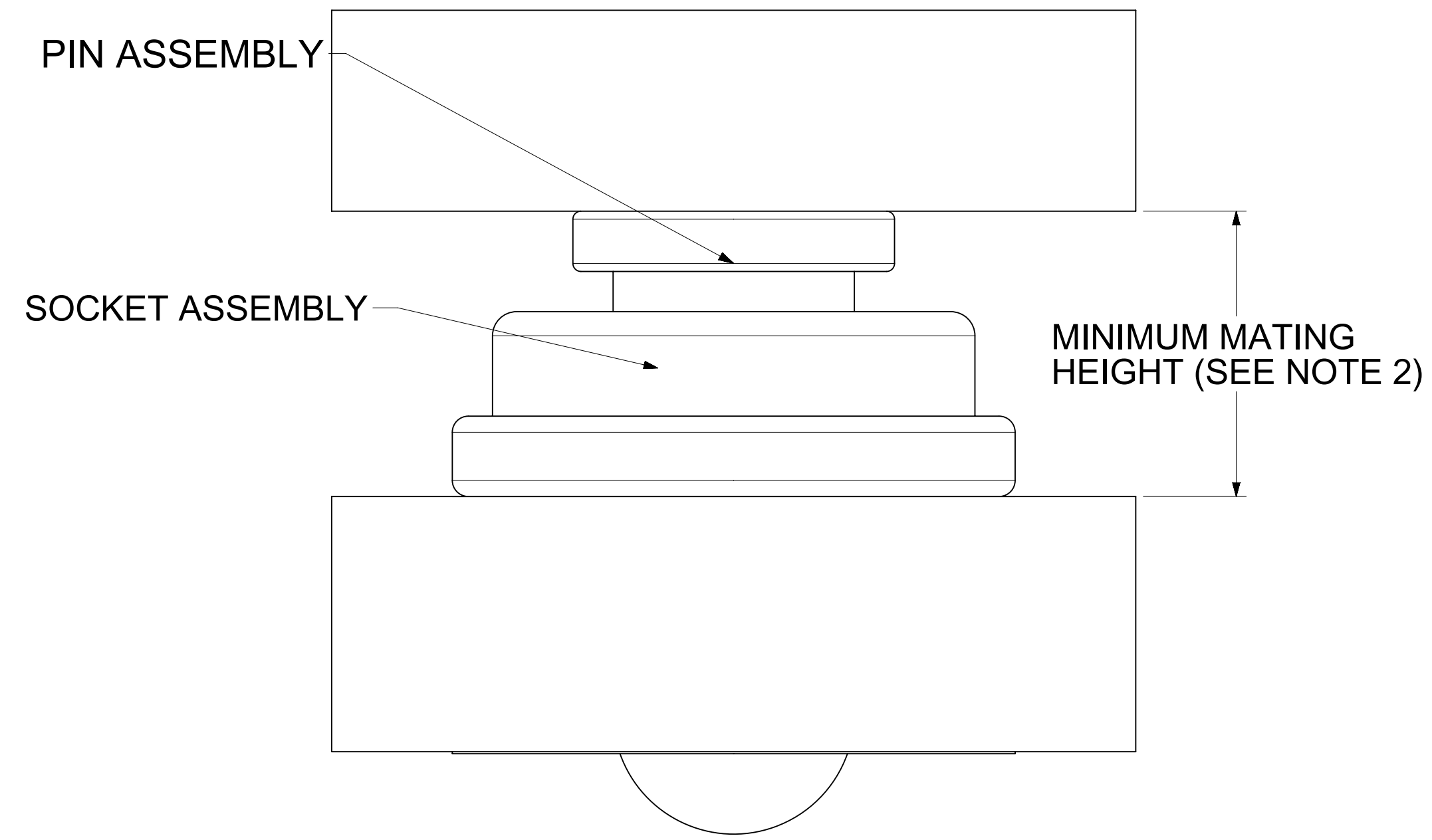
Ø14.00 ±0.10
PAD

Ø10.20 +0.10
-0.00 PTH
SEE NOTE 4 FOR DETAIL



6.35 SHOWN
(1.58MM MINIMUM RECOMMENDED
PCB THICKNESS)

SECTION A-A



MATING PROFILE

NOTES:

1. MATERIALS:
RETENTION CAP: STAINLESS STEEL
PICK AND PLACE CAP: LCP UL94, V-0 COLOR BLACK
BASE METAL: HIGH CONDUCTIVE COPPER ALLOY
PLATING ON CONTACTS: 0.75 MICRON MIN GOLD OVER 1.27 MICRON MIN NICKEL
PLATING ON BODY: 3.18 MICRON MIN SILVER OVER 1.27 MICRON MIN NICKEL
2. MATES WITH THE STANDARD PIN DRAWINGS:
i. 6.0MM SMT DRAWING 2032630136-SD, MIN. MATING DISTANCE 7.10MM
ii. 6.0MM PRESS FIT DRAWING 2032630006-SD, MIN. MATING DISTANCE 7.35MM
iii. 6.0MM SCREW MOUNT DRAWING 2032636185-SD, MIN. MATING DISTANCE 10.10MM
3. PRODUCT SPECIFICATION: 2043130006-PS
4. APPLICATION SPECIFICATION: 2043130006-AS
5. PACKAGING SPECIFICATION: 2043180006-PK
6. SILVER COMPONENTS WILL BE SUPPLIED TARNISH FREE BUT MAY TARNISH OVER TIME.
7. PICK AND PLACE CAP TO BE REMOVED AFTER SOLDERING
8. DATE CODE TO BE LASER MARKED APPROXIMATELY WHERE SHOWN USING DDDYY FORMAT

THIS DRAWING CONTAINS INFORMATION THAT IS PROPRIETARY TO MOLEX ELECTRONIC TECHNOLOGIES, LLC AND SHOULD NOT BE USED WITHOUT WRITTEN PERMISSION													
DIMENSION UNITS		SCALE		CURRENT REV DESC: UPDATED THE TITLE BLOCK						molex			
mm		NTS											
GENERAL TOLERANCES (UNLESS SPECIFIED)				EC NO: 747243									
ANGULAR TOL ± 0.5°				4 PLACES ±				DRWN: SOURAJ 2023/03/22					
3 PLACES ±				3 PLACES ±				CHK'D: SCS02 2023/04/25					
2 PLACES ± 0.15				2 PLACES ± 0.15				APPR: HTHYAGARAJ 2023/04/26					
1 PLACE ± 0.25				1 PLACE ± 0.25				INITIAL REVISION:					
0 PLACES ±				0 PLACES ±				DRWN: FCSOO 2018/08/21					
DRAFT WHERE APPLICABLE MUST REMAIN WITHIN DIMENSIONS				THIRD ANGLE PROJECTION		DRAWING		SERIES		MATERIAL NUMBER			
		D-SIZE		204318		2043180006		CUSTOMER		GENERAL MARKET			
DOCUMENT STATUS				P1				RELEASE DATE					
2023/05/08				05:38:44				DOCUMENT NUMBER		DOC TYPE		DOC PART	
2043180006-SD				PSD		000		REVISION		B2			
SHEET NUMBER				1 OF 1									