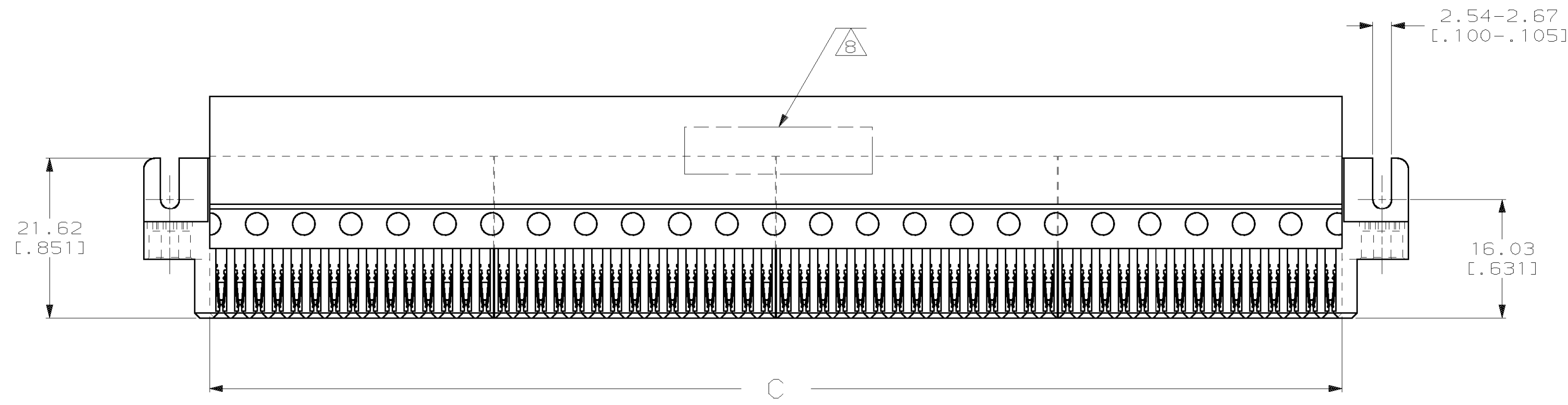
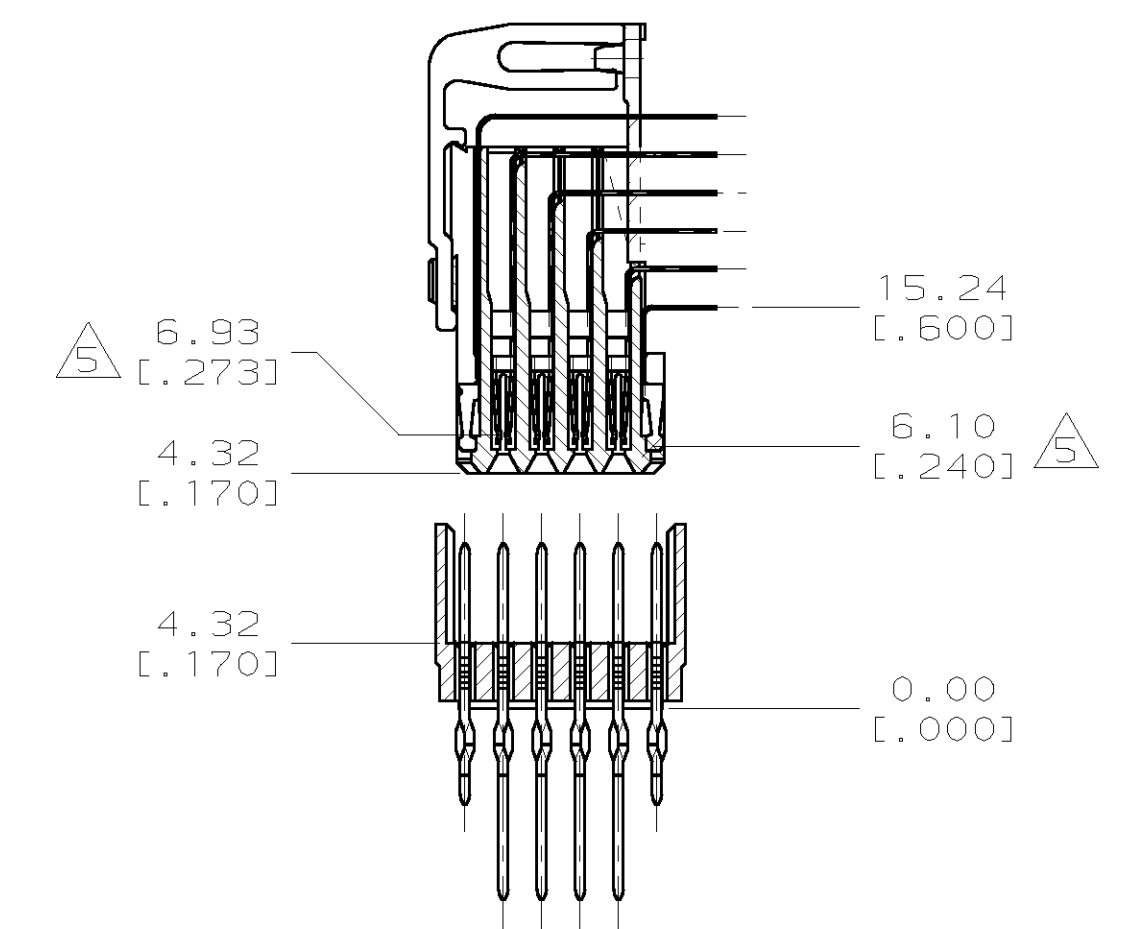
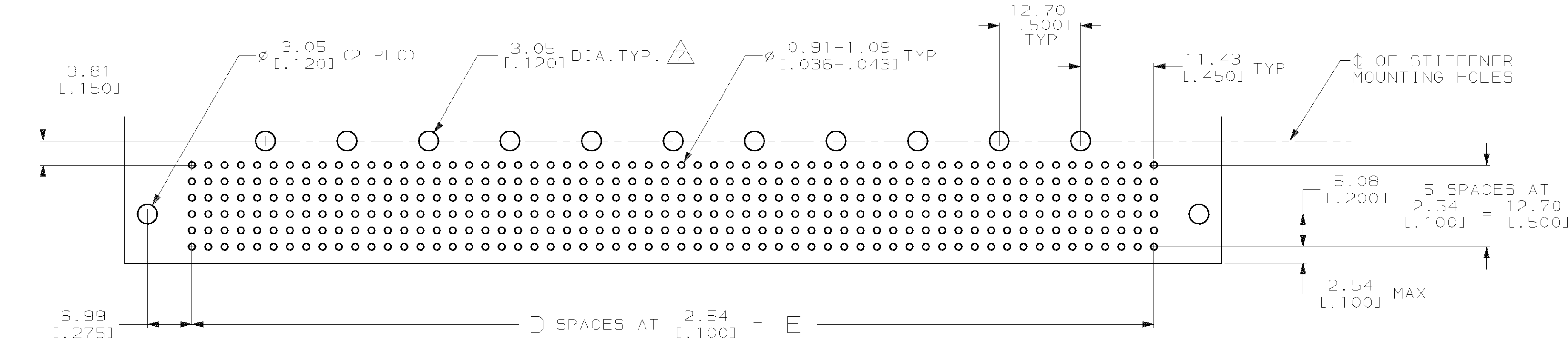
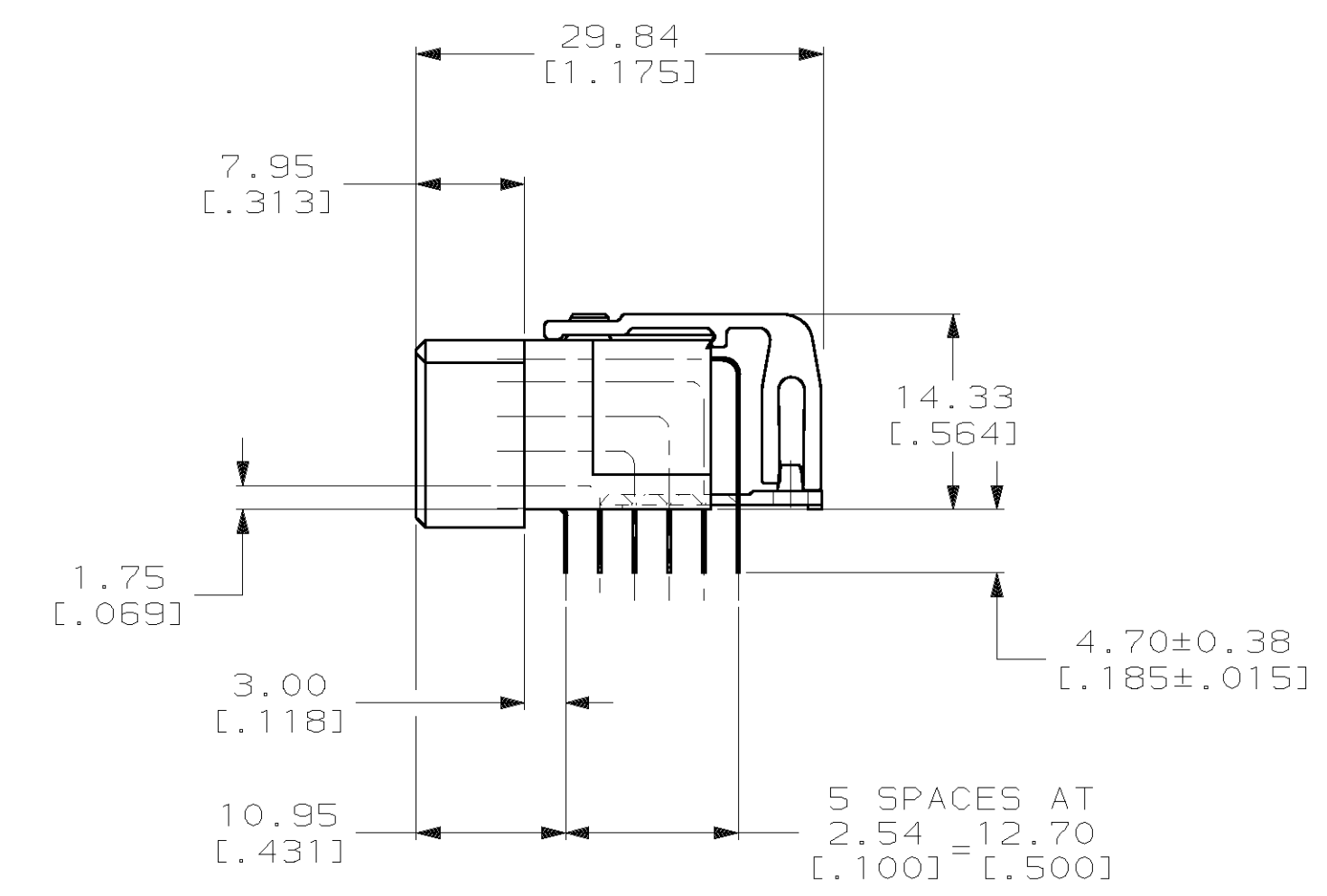
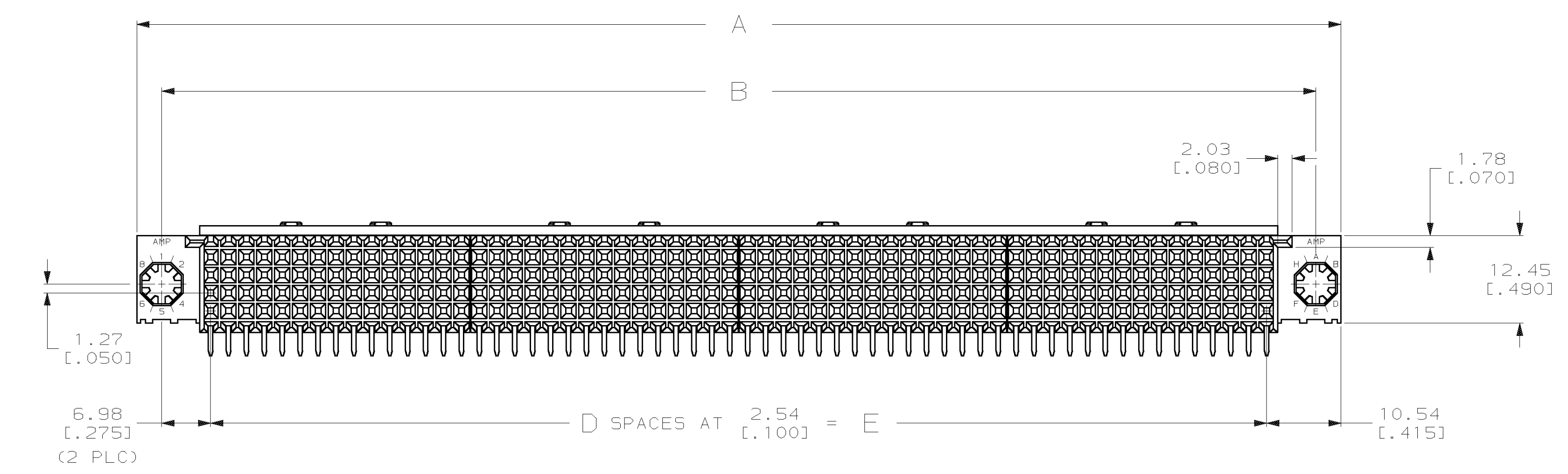


LOC	DIST	P	F	ZONE	LTR	DESCRIPTION	DATE	APPD
AD	25					B ECN AD4952	06/01/91	DLH
						C REV. PER ECN.0010-0888-93	7/7/93	NFS
						D EC 0520-94 TH	5-31-95	DLH
						E EC 1811-94 SH	7-17-95	WLM
						F EC 0943-95 SH	7-18-95	DLH
						G PER EC 1687-95	T.S.	DH
						H REV PER EC 001B-0015-01	25 JAN 01	WM



- ① HOUSING MATERIAL: GLASS FILLED POLYESTER, COLOR: BLACK.
- ② CONTACT MATERIAL: COPPER ALLOY.
- ③ STIFFENER MATERIAL: ALUMINUM.
- ④ CONTACT FINISH: 0.00127 [0.00050] NICKEL UNDERPLATE ALL OVER. 0.00076 [0.00030] GOLD PLATE IN CONTACT AREAS. TIN-LEAD PLATE ON TAILS.
- ⑤ FINAL MATING POSITION OF RECEPTACLE CONTACT TINES.
- 6. GUIDE PINS AND KEYS SOLD SEPARATELY.
- ⑦ RECOMMENDED MOUNTING SCREW IS A BINDING HEAD #2 THREAD FORMING TYPE AB THREADS; STAINLESS STEEL. MAXIMUM SPACING OF 38.10 [1.500] INCHES.
- ⑧ AMP, AMP PART NUMBER AND DATE CODE MARKED IN THIS APPROXIMATE AREA.



RECOMMENDED P.C. BOARD LAYOUT

535919-7	360	170.94 [6.730]	163.83 [6.450]	153.01 [6.024]	59	149.86 [5.900]	1-535919-4	630	285.24 [11.23]	278.13 [10.950]	267.31 [10.524]	104	264.16 [10.400]
535919-6	330	158.24 [6.230]	151.13 [5.950]	140.31 [5.524]	54	137.16 [5.400]	1-535919-3	480	221.74 [8.730]	214.63 [8.450]	203.81 [8.024]	79	200.66 [7.900]
535919-5	300	145.54 [5.730]	138.43 [5.450]	127.61 [5.024]	49	124.46 [4.900]	1-535919-2	600	272.54 [10.730]	265.43 [10.450]	254.61 [10.024]	99	251.46 [9.900]
535919-4	270	132.84 [5.230]	125.73 [4.950]	114.91 [4.524]	44	111.75 [4.400]	1-535919-1	540	247.14 [9.730]	240.03 [9.450]	229.21 [9.024]	89	226.05 [8.900]
535919-3	240	120.14 [4.730]	113.03 [4.450]	102.21 [4.024]	39	99.06 [3.900]	1-535919-0	450	209.04 [8.230]	201.93 [7.950]	191.11 [7.524]	74	187.96 [7.400]
535919-2	210	107.44 [4.230]	100.33 [3.950]	89.92 [3.540]	34	86.36 [3.400]	535919-9	420	196.34 [7.730]	189.23 [7.450]	178.41 [7.024]	69	175.26 [6.900]
535919-1	180	94.74 [3.730]	87.63 [3.450]	76.81 [3.024]	29	73.66 [2.900]	535919-8	390	183.64 [7.230]	176.53 [6.950]	165.71 [6.524]	64	162.56 [6.400]
PART NUMBER	POSN	A	B	C	D	E	PART NUMBER	POSN	A	B	C	D	E

DO NOT SCALE PRINT. UNLESS SPECIFIED DIMENSIONS IN mm [INCHES] TOLERANCES ON:		DR 06/01/91 R.K. SEIFRIED/UTA		PART NO	
2 PLC DEC ±		CHK 09-21-92 D.HOFFMAN		AMP Incorporated Harrisburg, PA 17105-3508	
3 PLC DEC ± 0.13 [0.005]		APPD 09-21-92 D.HOFFMAN			
ANGLES ±		APPD 09-21-92 D.HOFFMAN			
MATERIAL		PRODUCT SPEC		NAME	
				TBC PLUS MODULAR, 6 ROW, RECEPTACLE ASSEMBLY	
FINISH		APPLICATION SPEC		SIZE	CAGE CODE
				D	00779
				DRAWING NO	535919
				SCALE	2:1
				SHEET	1 OF 1