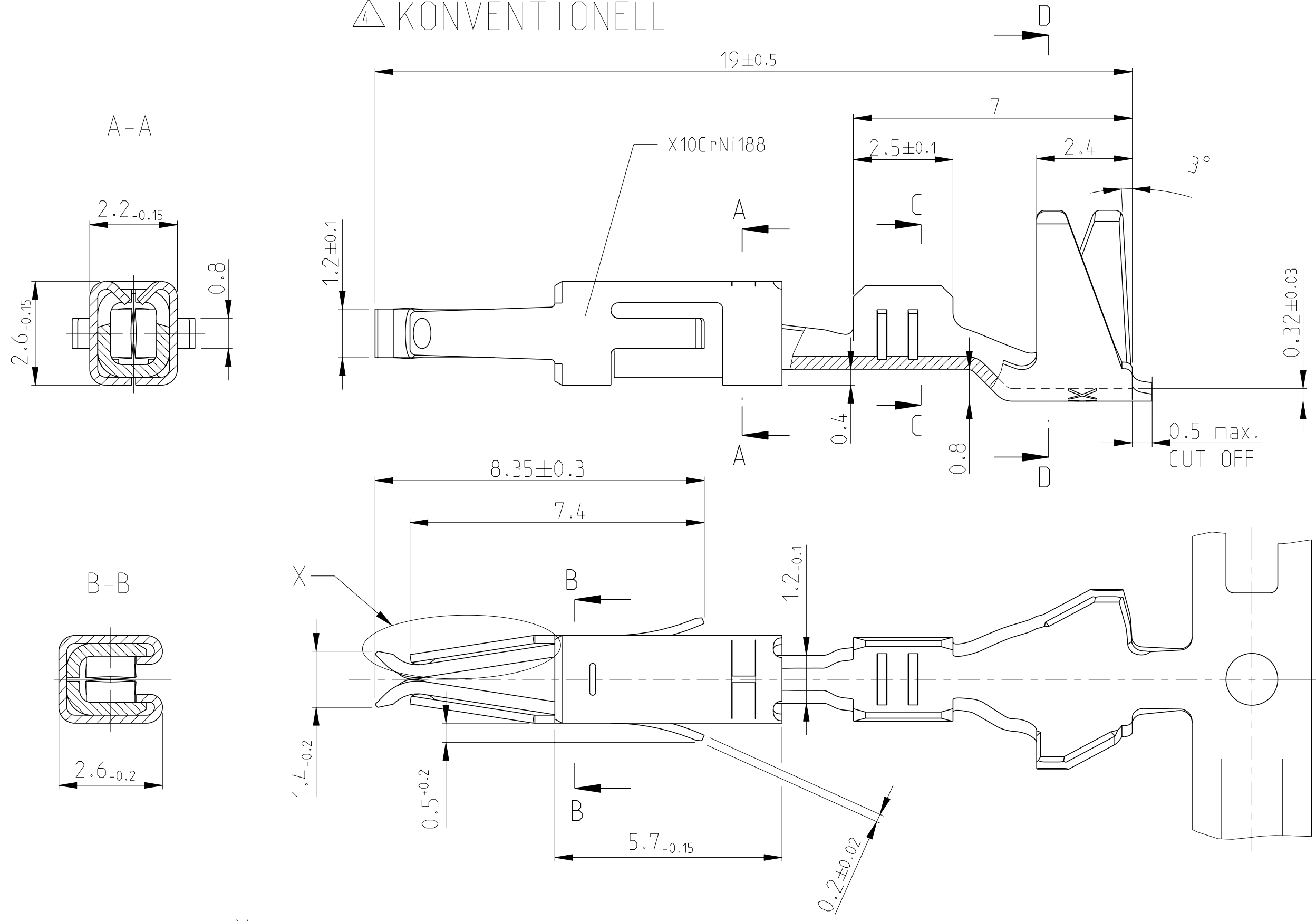


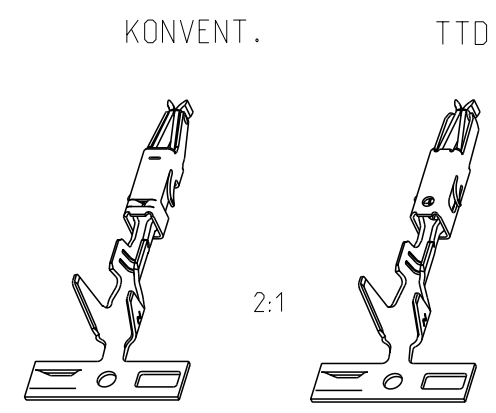
THIS DRAWING IS UNPUBLISHED. RELEASED FOR PUBLICATION
 © COPYRIGHT - ALL RIGHTS RESERVED.

LOC		DIST		REVISIONS			
P	LTR	DESCRIPTION	DATE	DWN	APVD		
A1	-						
N4		OPTIONAL to note 5 TTD added. (area A3)	29JUN2011	Kirs	Mair		
N5		PRODUCT SPEC CORRECTED	23JUN2014	Ho.	Eder		
N6		ECR-15-012070	13AUG2015	JB JH	BK		
N7		ECR-22-153377	21SEP2022	FRAN	SCHI		

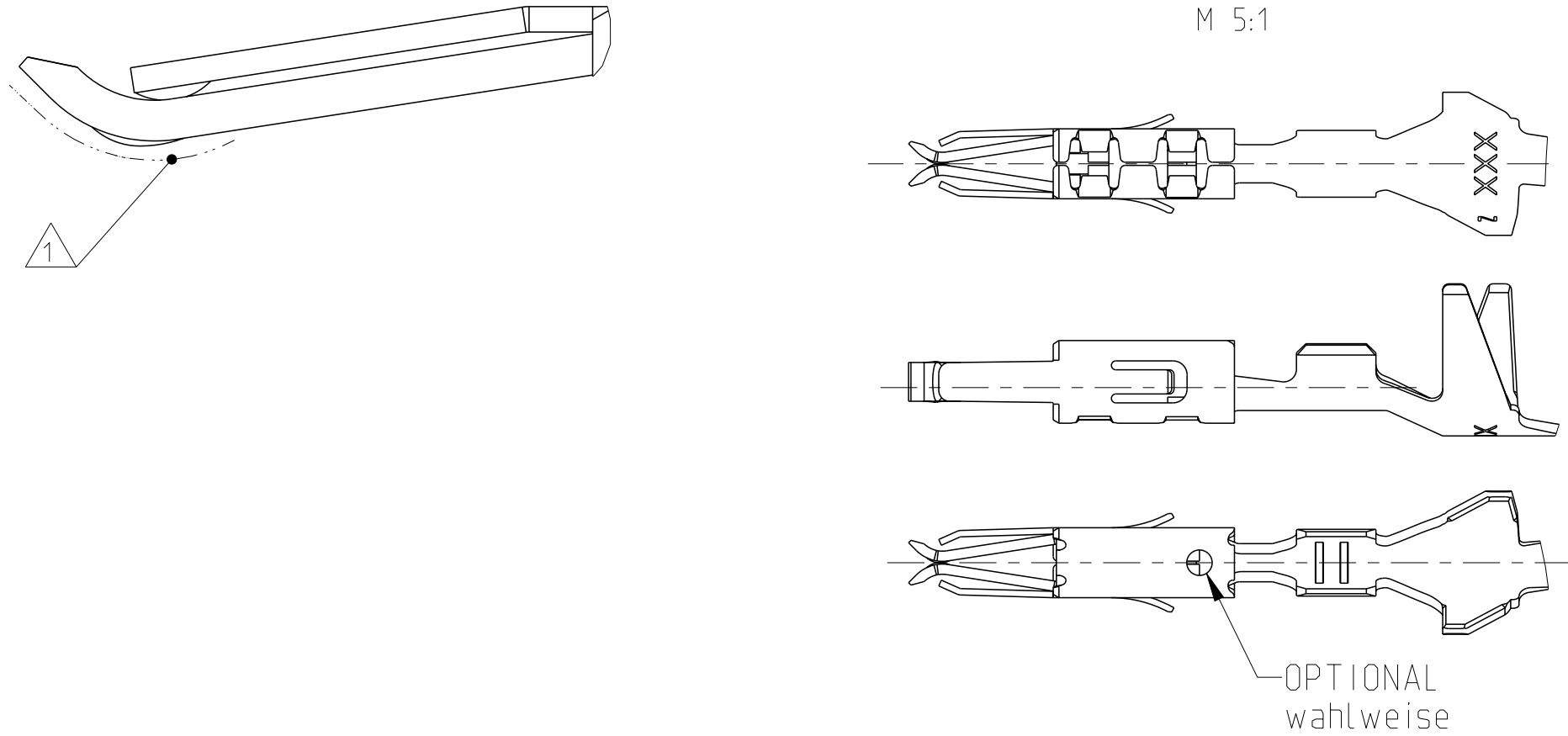
4 KONVENTIONELL



- 1 SELECTIVE GOLD PLATED MIN. 0.8 µm OVER NI
selektiv vergoldet 0.8 µm ueber Ni
- 2 TIN PLATED MIN. 0.2 µm OVER NI
verzinkt 0.2 µm ueber Ni
- 3 WIRE RANGE : 0.2 - 0.5 mm²
INSULATION-Ø: 2.8 mm (SINGLE WIRE SEAL)
Drahtgroessenbereich: 0.2 - 0.5 mm²
Isolations-Ø: 2.8 mm (Einzeldichtung)



5 TWO TRACK DIE
M 5:1



N7

VERSION	SURFACE / Oberflaeche	MATERIAL	PART NO	REV
4 5	1 2	CuFe2	962875-5	N
4 5	1 2	CuSn4	962875-3	N
4 5	PRETIN / vorverzinkt	CuFe2	962875-2	N
4 5	PRETIN / vorverzinkt	CuSn4	962875-1	N

THIS DRAWING IS A CONTROLLED DOCUMENT.

DWN	R.Hofer	05-JAN-89
CHK	L.Nix	05-APR-89
APVD	M.Bleicher	25-JUN-08
PRODUCT SPEC	108-18055	
APPLICATION SPEC	114-18081	
WEIGHT	0.3 g	
Customer Drawing		

STE TE Connectivity

MICRO TIMER 2 CONTACT WITH DOUBLE LOCKING LANCE mit doppelter Rastfeder

SIZE	CAGE CODE	DRAWING NO	RESTRICTED TO
A2	00779	C-962875	-
SCALE	10:1	SHEET	1 OF 1
REV	N7		

printed on 21 Sep 2022 15:58 (Mitteleurop from TE220462)