

| TABLE OF CONTENTS | |
|-------------------|-------------------------------|
| SHEET NO. | SHEET DESCRIPTION |
| 1 | NOTES AND BOM |
| 2 | CONFIGURATIONS |
| 3-4 | KEY CONFIGURATIONS |
| 5 | RECEPTACLE CONNECTOR ASSEMBLY |
| 6 | BACKSHELL NOTES |
| 7 | BACKSHELL |
| 8 | BACKSHELL CONFIGURATIONS |

NOTES: VALID UNLESS OTHERWISE SPECIFIED

1. GENERAL:
- a. APPLICATION SPECIFICATION SEE: AS-33472-100
- CONTAINS: PRODUCT INTRODUCTION, PRODUCT SUMMARY, CONNECTOR ASSEMBLY, PACKAGING INFORMATION, CONNECTOR MATING, SERVICE INSTRUCTIONS, ELECTRICAL CONTINUITY CHECKING, CRIMPING, AND TROUBLESHOOTING.
 - DESIGNED TO MATE WITH DEVICE OR CONNECTOR AS SPECIFIED IN THE MATING INTERFACE/CONNECTOR DRAWINGS CHART.
 - *DENOTES DRAWINGS THAT CAN BE ACCESSED AT <<http://ewcap.uscarteams.org/>>.
 - ASSEMBLY SHIPPED WITH PLR IN PRE-LOCK POSITION (SEE PLR PRE-LOCK VIEW SHEET 5).

- b. PRODUCT SPECIFICATION SEE:
- STANDARD CONFIGURATION: PS-33471-000
 - UL V0 CONFIGURATION: PS-160105-0001
 - CONTAINS: PRODUCT INTRODUCTION, PRODUCT SUMMARY, RATINGS (CURRENT, TEMPERATURE, SEALING, AND FLAMMABILITY), TERMINALS, WIRE DIAMETER RANGE, PRODUCT VALIDATION, AND PRODUCT DEVIATIONS.

c. PACKAGING SPECIFICATION PER MOLEX DRAWING: SEE PACKAGING CHART

d. PARTS MUST BE IN COMPLIANCE TO MOLEX CHEMICAL SUBSTANCES FOR PRODUCTS AND PACKAGING SPECIFICATION: QEHS-699000-301

e. DATA MUST BE SUBMITTED UNDER THE MOLEX PART NUMBER TO IMDS (COMPANY ID#13255)

2. DESIGN - MATERIALS:

- a. FOR BILL OF MATERIALS SEE:
- STANDARD CONFIGURATION SD-33471-0002
 - UL V0 CONFIGURATION SD-160105-0002

3. DESIGN - GEOMETRY:

a. THE 3-D CAD DATA IS BASIC (WITHOUT TOLERANCE) AND MASTER FOR THIS PART WITH THE EXCEPTION OF UNDERLINED DIMENSIONS. DIMENSIONAL INFORMATION NOT SHOWN ON THIS DRAWING IS DEFINED BY THE DATA FILE AT ITS LATEST REVISION.

b. GEOMETRIC DIMENSIONS AND TOLERANCES PER ASME Y14.5M-2009

c. EDGES AND UNDIMENSIONED DETAILS PER ISO13715

d. CORNERS SHOWN AS SHARP TO BE R 0.2 MAX.

e. LETTERING SHALL BE 0.15 MAX RAISED IN 0.25 MAX RECESS PAD. THIS INCLUDES RECYCLING CODE, CAVITY ID, VENDOR IDENTIFICATION, AND CUSTOMER MATERIAL NUMBER.

f. VISUAL DEFECTS SHALL MEET COSMETIC STANDARD PS-45499-002 (Class B).

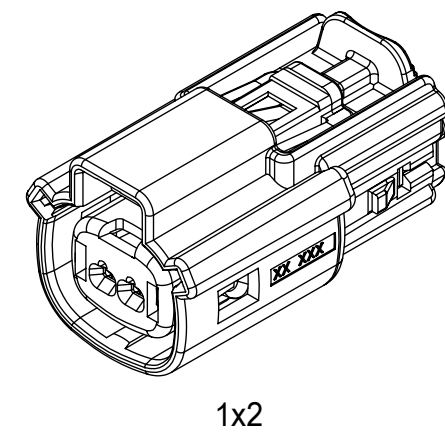
g. LASER MARKING:

- PART NUMBER
- DAY OF THE YEAR
- SHIFT
- YEAR

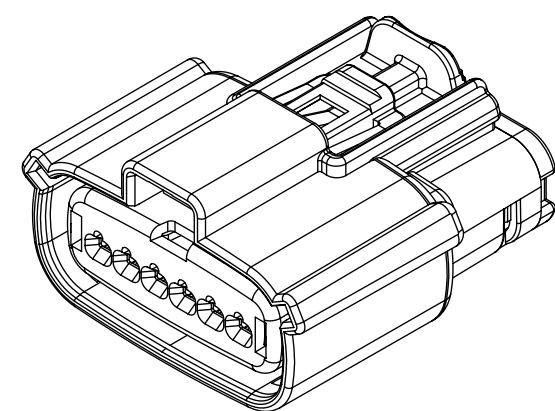
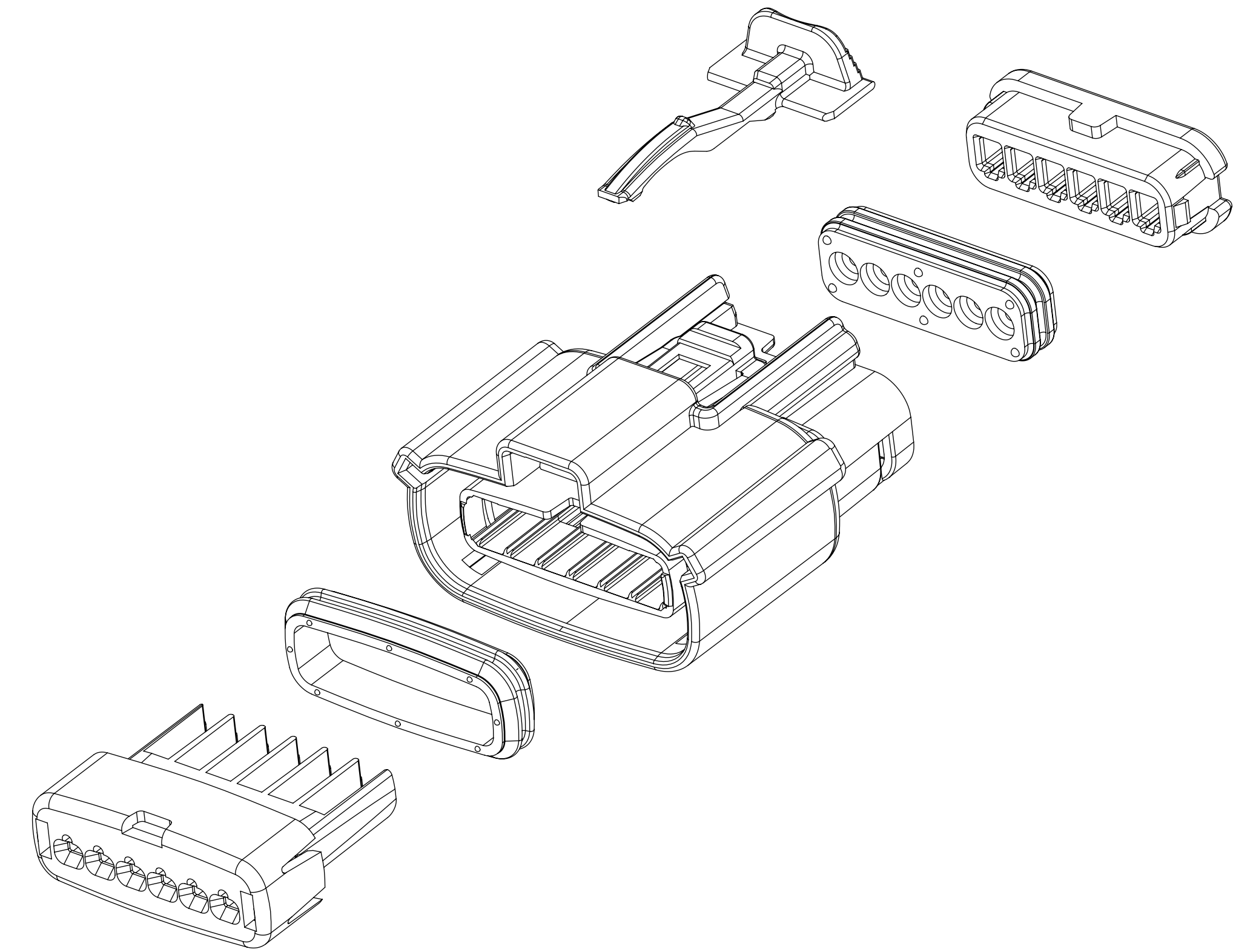
FOR ADDITIONAL INFORMATION SEE SECTION 5 UNDER PROCEDURES IN ES-34735-008.

| PACKAGING | |
|-------------|--------------|
| DESCRIPTION | DRAWING NO. |
| 1X2 | PK-31300-635 |
| | |
| | |
| | |
| | |
| 1X6 | PK-31300-903 |

| MATING INTERFACE/CONNECTOR DRAWINGS | | |
|-------------------------------------|----------------------|---------------|
| DESCRIPTION | INTERFACE DEFINITION | MOLEX INLINE |
| 1X2 | *150-S-002-1-Z05 | SD-33481-0001 |
| | | |
| | | |
| | | |
| | | |
| 1X6 | *150-S-006-1-Z03 | SD-33481-0001 |



1x2



1x6

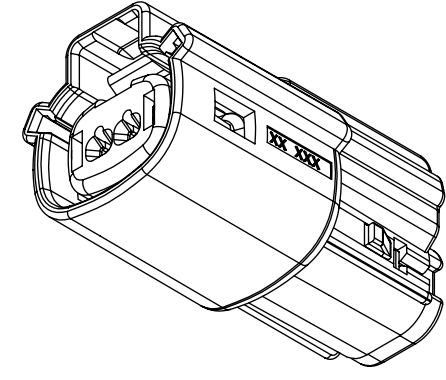
| REV | REV DESCRIPTION |
|-----|---------------------------------|
| A1 | UPDATED THE DRAWING FRAME |
| A | MINOR GEOMETRY CHANGE FOR UL V0 |
| 2 | UPDATE VIEWSETS |
| 1 | INITIAL RELEASE |

| INSPECTION NUMBER LOG | |
|-----------------------|-----------|
| LAST NUMBER: 11 | ADDED: 11 |
| REMOVED: | |

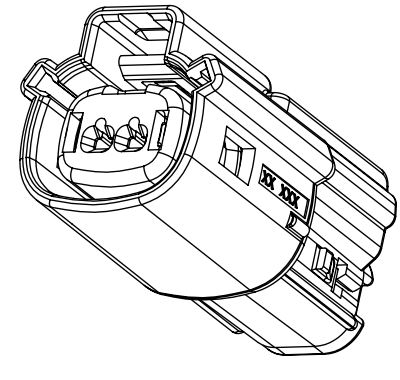
| | | | | | |
|--|---|---|---|--------------------------|--|
| FUNCTIONAL SYMBOLS | THIS DRAWING CONTAINS INFORMATION THAT IS PROPRIETARY TO MOLEX ELECTRONIC TECHNOLOGIES, LLC AND SHOULD NOT BE USED WITHOUT WRITTEN PERMISSION | | CURRENT REV DESC: | | |
| | $\nabla_A = 0$ $\nabla_C = 0$ $\nabla_P = 0$ | DIMENSION UNITS: mm SCALE: 1.5:1 | EC NO: 643941 DRWN: XLDONG03 2020/08/21 CHK'D: JDENG02 2020/08/26 APPR: JDENG02 2020/08/26 | | |
| DIVISIONAL SYMBOLS | GENERAL TOLERANCES (UNLESS SPECIFIED) ANGULAR TOL $\pm 1.0^\circ$ | 4 PLACES \pm 3 PLACES \pm 2 PLACES ± 0.1 1 PLACE ± 0.2 0 PLACES \pm | INITIAL REVISION: DRWN: APROFFITT 2015/11/04 APPR: KDEKOSHI 2016/06/14 | PRODUCT CUSTOMER DRAWING | |
| DRAFT WHERE APPLICABLE MUST REMAIN WITHIN DIMENSIONS | | THIRD ANGLE PROJECTION | DRAWING: D-SIZE | SERIES: 33471 | DOCUMENT NUMBER: SD-33471-0001 DOC TYPE: PSD DOC PART: 001 REVISION: A1 |
| DOCUMENT STATUS: P1 | | RELEASE DATE: 2020/08/26 07:23:52 | MATERIAL NUMBER: SEE NOTE 2a | | CUSTOMER: GENERAL MARKET SHEET NUMBER: 1 OF 8 |

SHEET DESCRIPTION

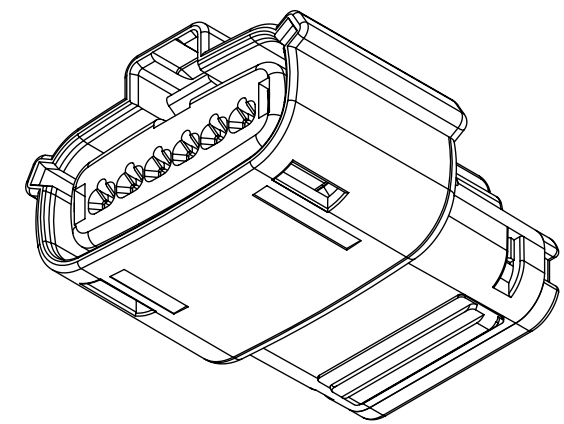
CONFIGURATIONS



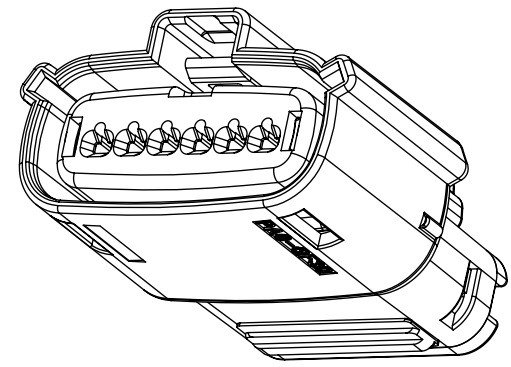
1x2 - STD



1x2 - UL V0*



1x6 - STD



1x6 - UL V0*

*MINOR GEOMETRY DIFFERENCE THAN STANDARD CONFIGURATION
SEE NOTES 1 & 2 FOR MORE INFORMATION

| | | | |
|--|---|------------------------|---|
| FUNCTIONAL SYMBOLS | THIS DRAWING CONTAINS INFORMATION THAT IS PROPRIETARY TO MOLEX ELECTRONIC TECHNOLOGIES, LLC AND SHOULD NOT BE USED WITHOUT WRITTEN PERMISSION | | |
| | DIMENSION UNITS | SCALE | CURRENT REV DESC: |
| $\nabla_A = 0$ | mm | 1.5:1 | EC NO: 643941 DRWN: XLDONG03 2020/08/21 CHK'D: JDENG02 2020/08/26 APPR: JDENG02 2020/08/26 INITIAL REVISION: DRWN: APROFFITT 2015/11/04 APPR: KDEKOSKI 2016/06/14 |
| $\nabla_C = 0$ | GENERAL TOLERANCES (UNLESS SPECIFIED) | | |
| $\nabla_P = 0$ | ANGULAR TOL $\pm 1.0^\circ$ | | |
| DIVISIONAL SYMBOLS | 4 PLACES | \pm | |
| | 3 PLACES | \pm | |
| | 2 PLACES | ± 0.1 | |
| | 1 PLACE | ± 0.2 | |
| | 0 PLACES | \pm | |
| DRAFT WHERE APPLICABLE MUST REMAIN WITHIN DIMENSIONS | | THIRD ANGLE PROJECTION | DRAWING D-SIZE SERIES 33471 MATERIAL NUMBER SEE NOTE 2a CUSTOMER GENERAL MARKET SHEET NUMBER 2 OF 8 |
| DOCUMENT STATUS P1 RELEASE DATE 2020/08/26 07:23:52 | | | PRODUCT CUSTOMER DRAWING DOCUMENT NUMBER SD-33471-0001 DOC TYPE PSD DOC PART 001 REVISION A1 |

molex

MX150 RCPT
SINGLE ROW SEALED ASSY MAT SEAL

PRODUCT CUSTOMER DRAWING

SD-33471-0001

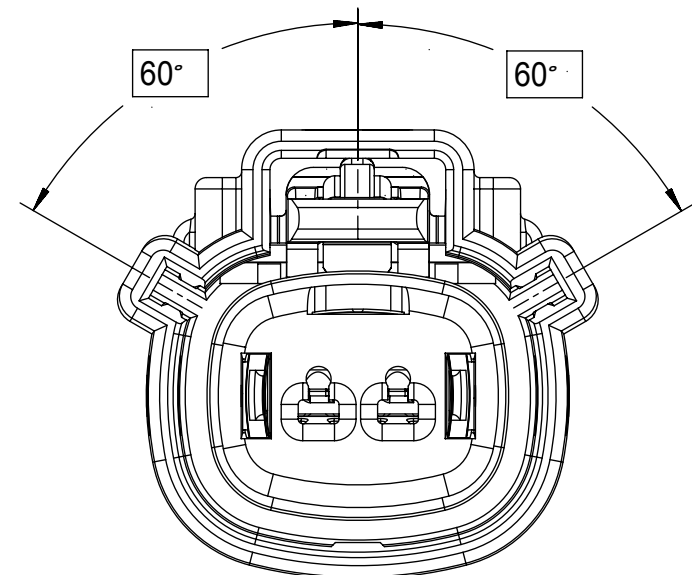
PSD 001 A1

SEE NOTE 2a GENERAL MARKET 2 OF 8

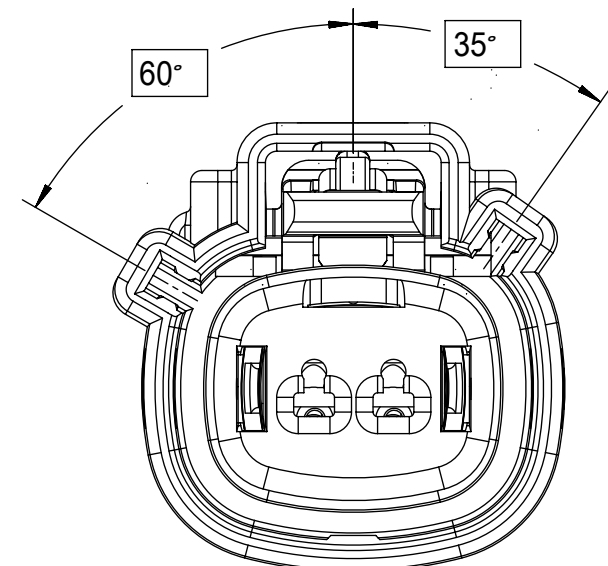
SHEET DESCRIPTION

KEY CONFIGURATIONS

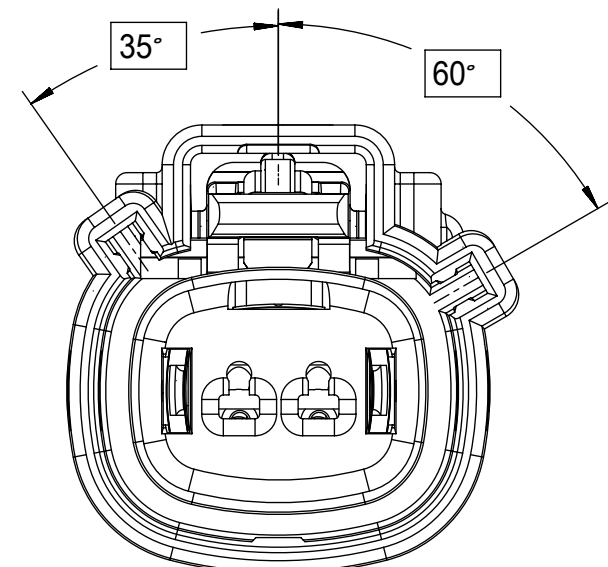
1X2



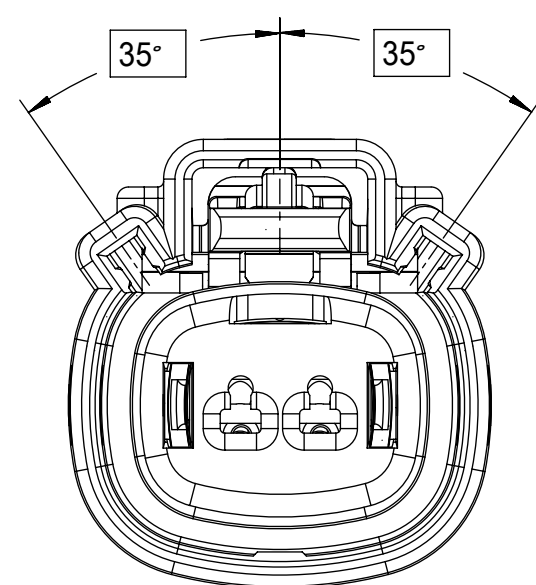
KEY A



KEY B



KEY C



KEY D

THIS DRAWING CONTAINS INFORMATION THAT IS PROPRIETARY TO MOLEX ELECTRONIC TECHNOLOGIES, LLC AND SHOULD NOT BE USED WITHOUT WRITTEN PERMISSION

| | | | |
|---|---------------------------------------|-----------|--|
| FUNCTIONAL SYMBOLS | DIMENSION UNITS | SCALE | CURRENT REV DESC: |
| $\nabla_A = 0$ | mm | 3:1 | |
| $\nabla_C = 0$ | GENERAL TOLERANCES (UNLESS SPECIFIED) | | |
| $\nabla_P = 0$ | ANGULAR TOL $\pm 1.0^\circ$ | | |
| DIVISIONAL SYMBOLS | 4 PLACES | \pm | EC NO: 643941 |
| | 3 PLACES | \pm | DRWN: XLDONG03 2020/08/21 |
| | 2 PLACES | ± 0.1 | CHK'D: JDENG02 2020/08/26 |
| | 1 PLACE | ± 0.2 | APPR: JDENG02 2020/08/26 |
| | 0 PLACES | \pm | INITIAL REVISION: DRWN: APROFFITT 2015/11/04 APPR: KDEKOSKI 2016/06/14 |
| DRAFT WHERE APPLICABLE MUST REMAIN WITHIN DIMENSIONS | THIRD ANGLE PROJECTION | DRAWING | SERIES |
| | | D-SIZE | 33471 |

molex

MX150 RCPT
SINGLE ROW SEALED ASSY MAT SEAL

PRODUCT CUSTOMER DRAWING

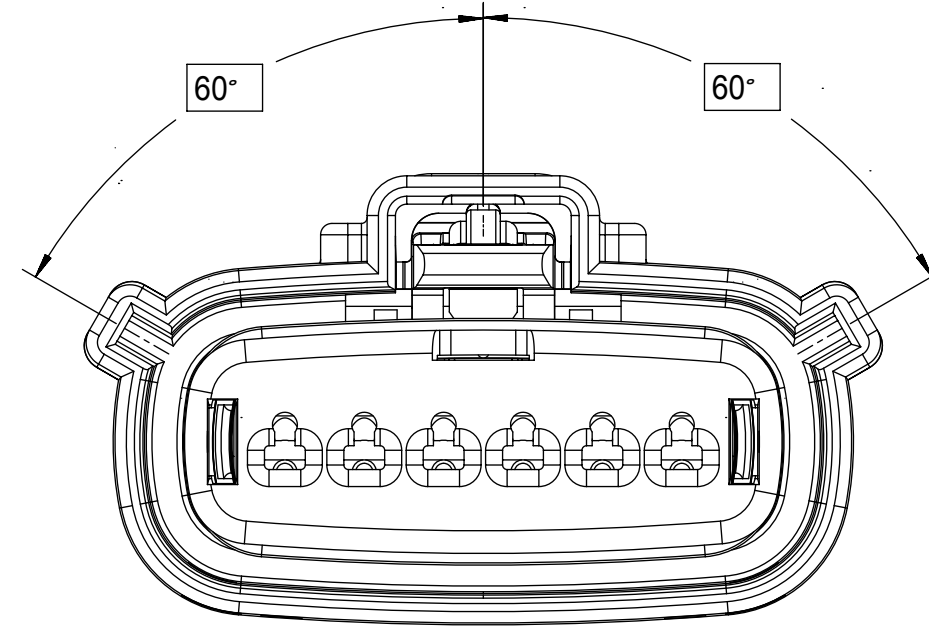
| | | | |
|-----------------|----------|----------|----------|
| DOCUMENT NUMBER | DOC TYPE | DOC PART | REVISION |
| SD-33471-0001 | PSD | 001 | A1 |

| | | |
|-----------------|----------------|--------------|
| MATERIAL NUMBER | CUSTOMER | SHEET NUMBER |
| SEE NOTE 2a | GENERAL MARKET | 3 OF 8 |

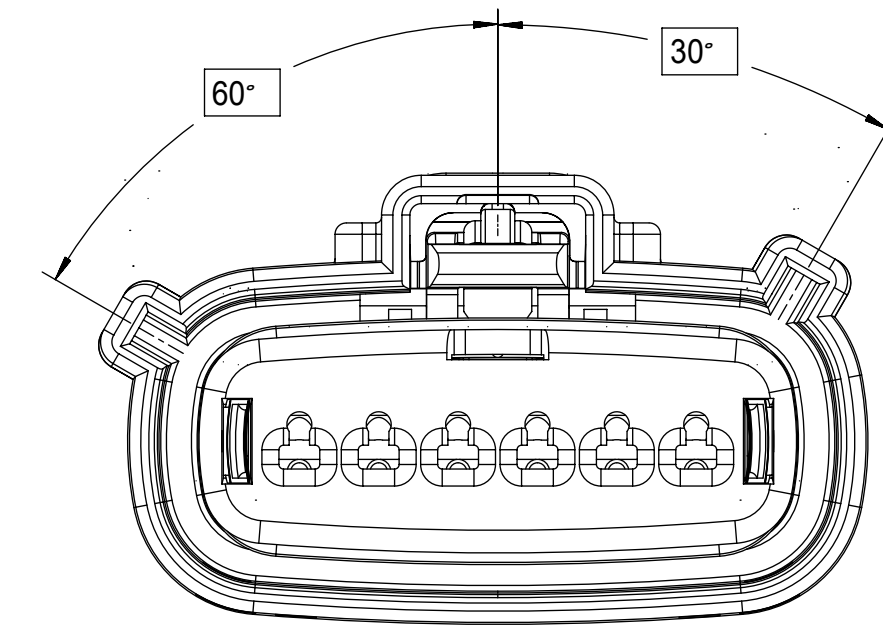
SHEET DESCRIPTION

KEY CONFIGURATIONS CONT.

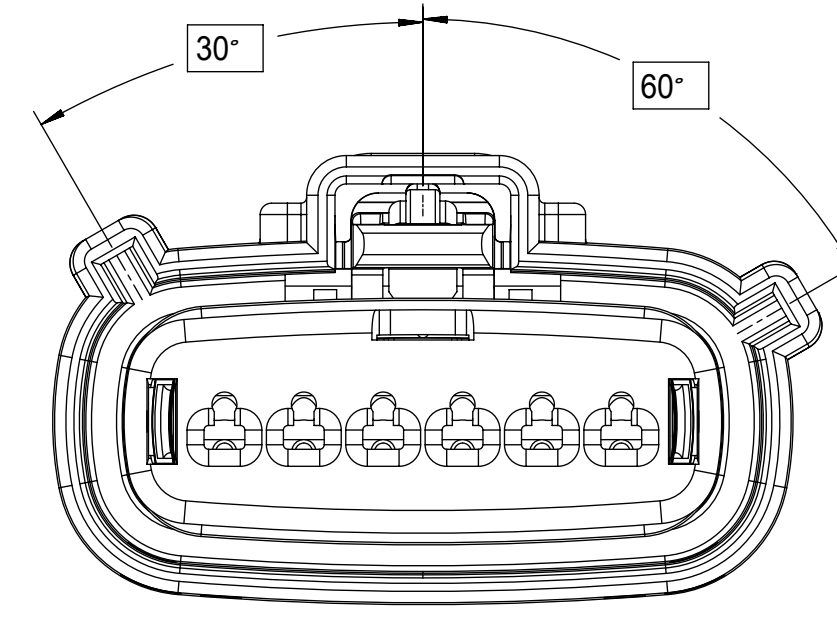
1X6



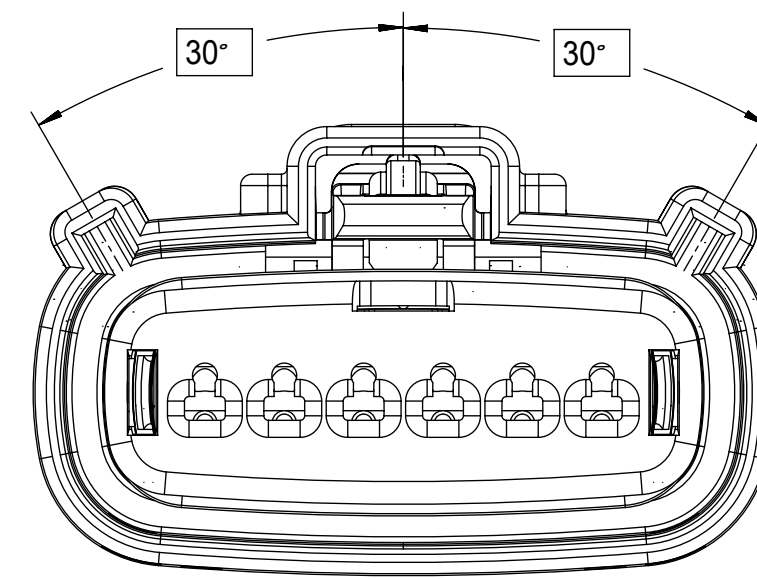
KEY A



KEY B



KEY C



KEY D

| | | | |
|--|---|------------------------|--|
| FUNCTIONAL SYMBOLS | THIS DRAWING CONTAINS INFORMATION THAT IS PROPRIETARY TO MOLEX ELECTRONIC TECHNOLOGIES, LLC AND SHOULD NOT BE USED WITHOUT WRITTEN PERMISSION | | |
| | DIMENSION UNITS | SCALE | CURRENT REV DESC: |
| $\nabla_A = 0$ | mm | 3:1 | |
| $\nabla_C = 0$ | GENERAL TOLERANCES (UNLESS SPECIFIED) | | |
| $\nabla_D = 0$ | ANGULAR TOL $\pm 1.0^\circ$ | | |
| DIVISIONAL SYMBOLS | 4 PLACES | \pm | EC NO: 643941 |
| | 3 PLACES | \pm | DRWN: XLDONG03 2020/08/21 |
| | 2 PLACES | ± 0.1 | CHK'D: JDENG02 2020/08/26 |
| | 1 PLACE | ± 0.2 | APPR: JDENG02 2020/08/26 |
| | 0 PLACES | \pm | INITIAL REVISION: DRWN: APROFFITT 2015/11/04 APPR: KDEKOSKI 2016/06/14 |
| DRAFT WHERE APPLICABLE MUST REMAIN WITHIN DIMENSIONS | | THIRD ANGLE PROJECTION | DRAWING SERIES MATERIAL NUMBER CUSTOMER SHEET NUMBER |
| | | | D-SIZE 33471 SEE NOTE 2a GENERAL MARKET 4 OF 8 |

molex

MX150 RCPT
SINGLE ROW SEALED ASSY MAT SEAL

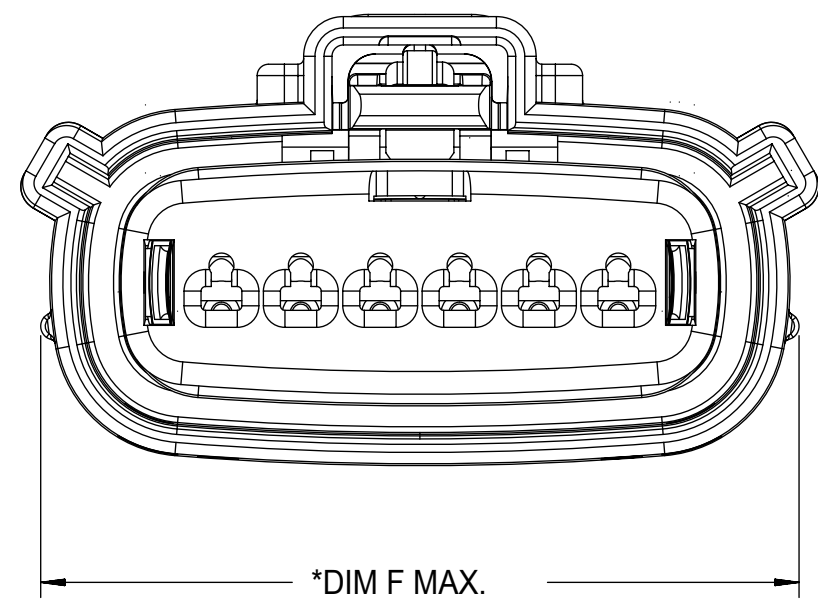
PRODUCT CUSTOMER DRAWING

| | | | |
|-----------------|----------|----------|----------|
| DOCUMENT NUMBER | DOC TYPE | DOC PART | REVISION |
| SD-33471-0001 | PSD | 001 | A1 |

SHEET DESCRIPTION

RECEPTACLE CONNECTOR ASSEMBLY - STD

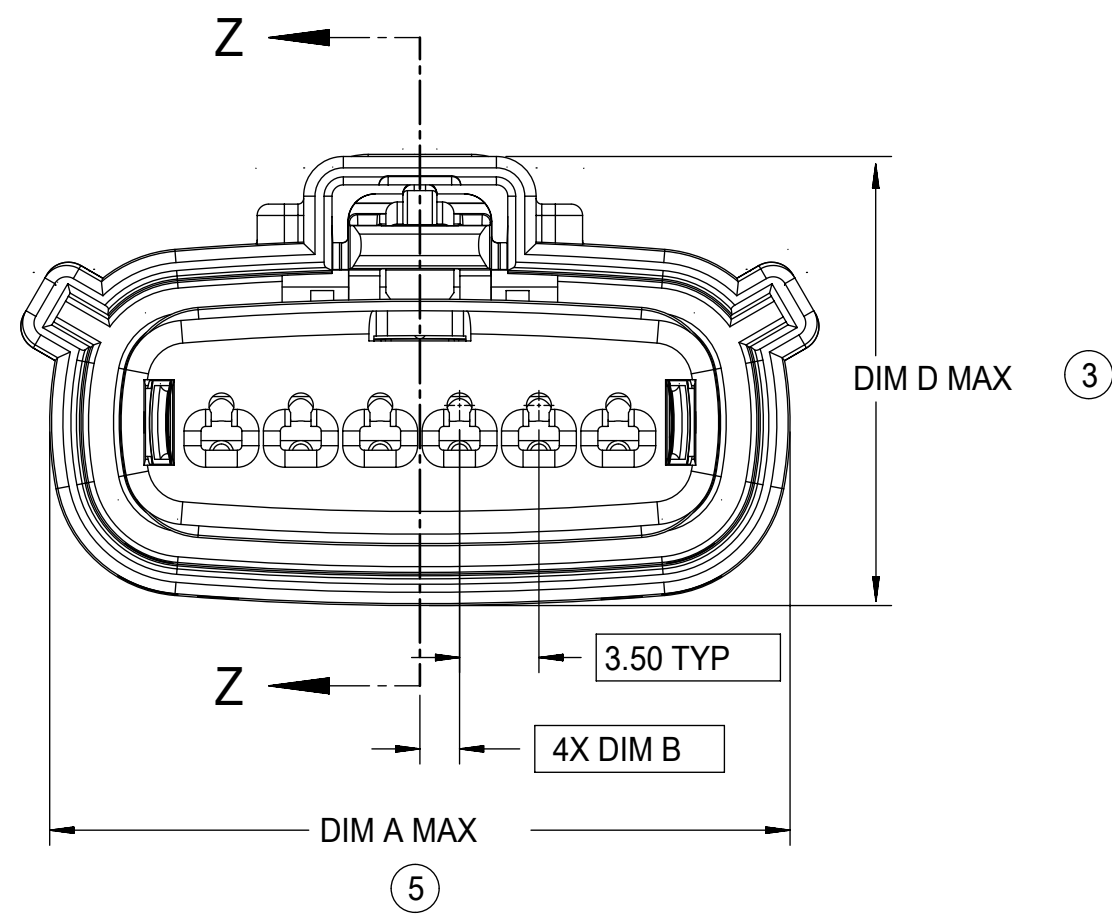
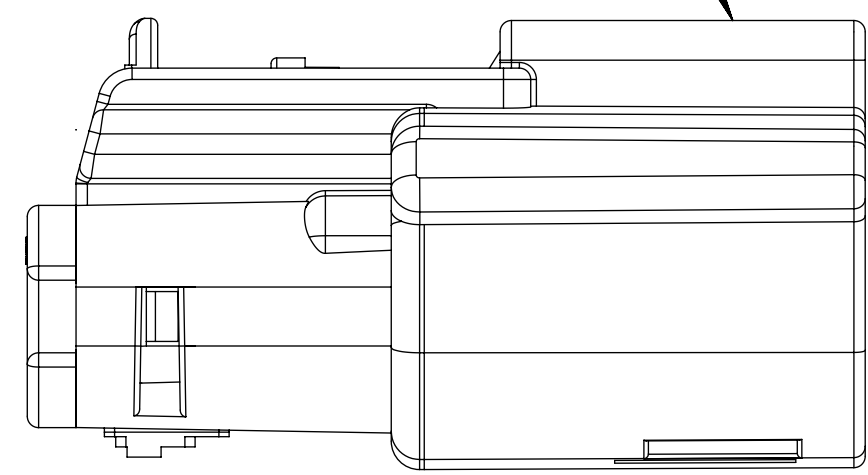
| DESCRIPTION | DIMENSIONS | | | | | |
|-------------|------------|------|-------|-------|-------|-------|
| | A | B | C | D | E | F |
| 1X2 | 19.40 | 1.75 | 21.73 | 20.55 | 37.65 | 19.64 |
| 1X6 | 32.75 | 1.75 | 35.21 | 19.90 | 37.65 | N/A |
| 1X6 UL V0 | N/A | 1.75 | 35.23 | 19.90 | 37.65 | 33.64 |



*DIM F MAX.
*APPLIE TO UL V0 CONFIGURATIONS ONLY

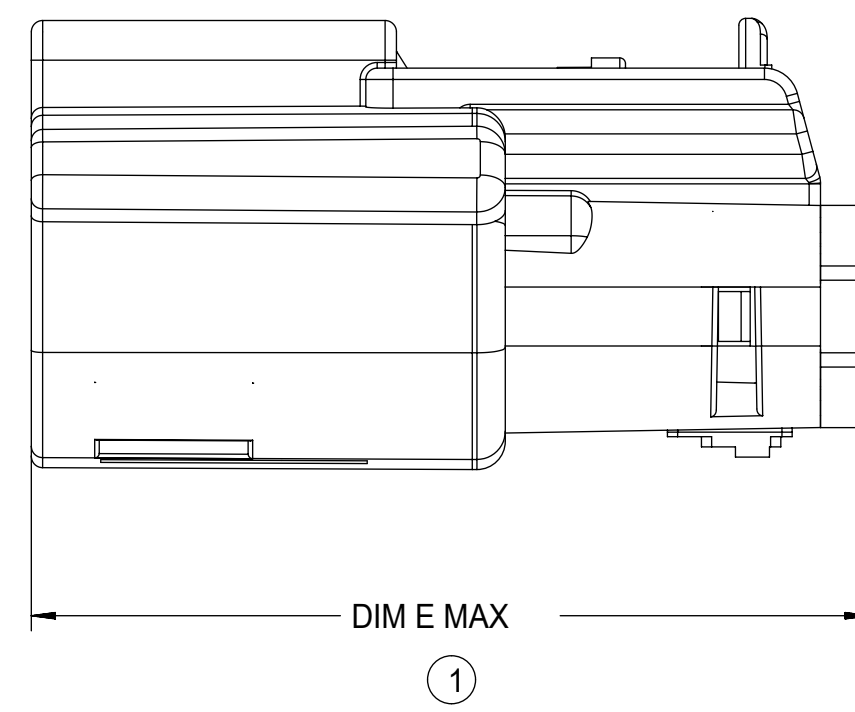
①

LASER MARKING ON THIS SURFACE
SEE NOTE 3g.



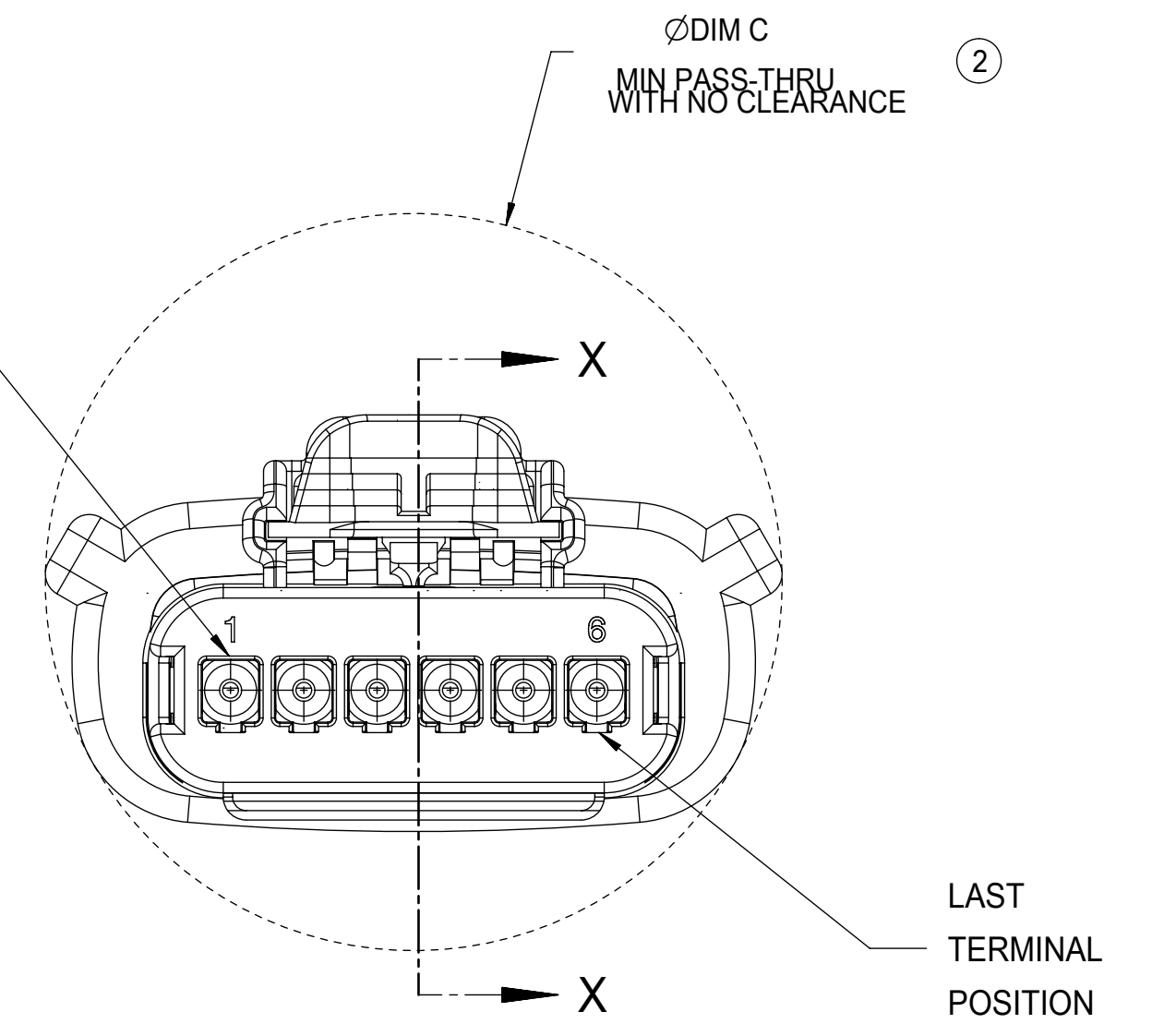
DIM D MAX ③

⑤



DIM E MAX ①

TERMINAL
POSITION 1



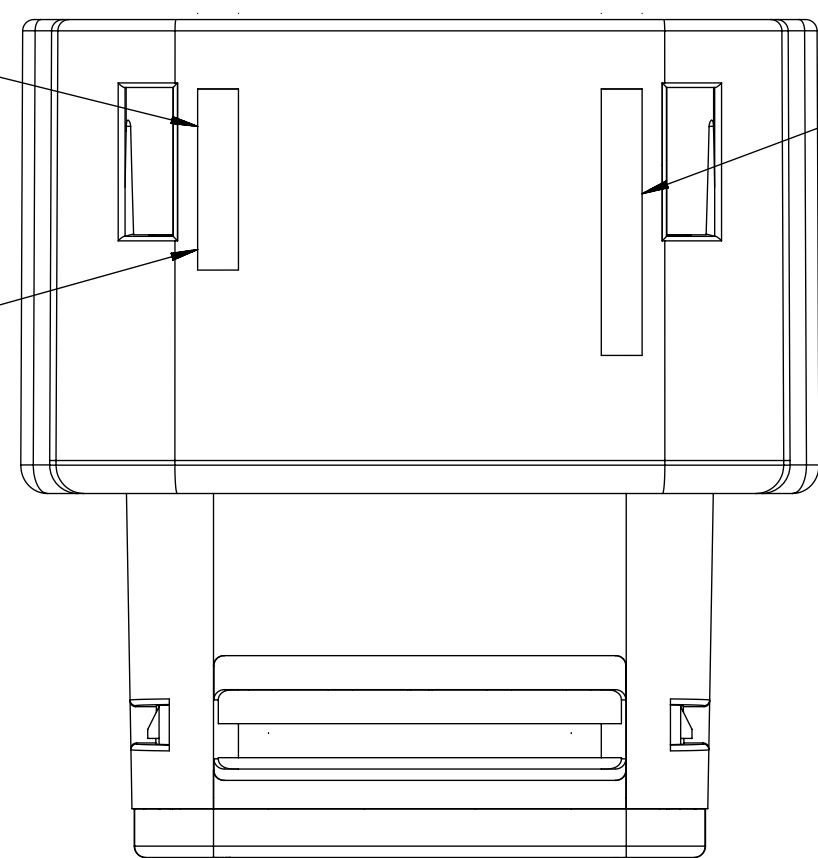
REAR VIEW
(WIRE HARNESS SIDE)

LAST
TERMINAL
POSITION

MOLD CAVITY I.D.
THIS LOCATION

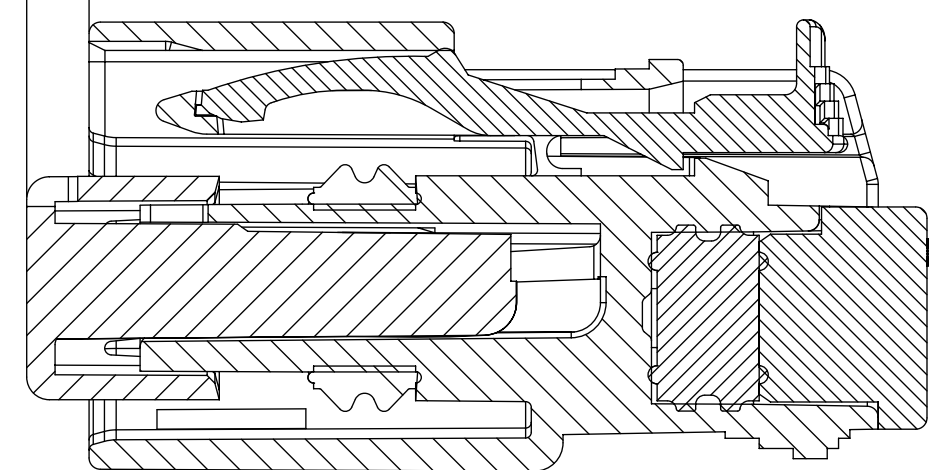
MANUFACTURING LOCATION
CODE THIS LOCATION

RECYCLE CODE
THIS LOCATION



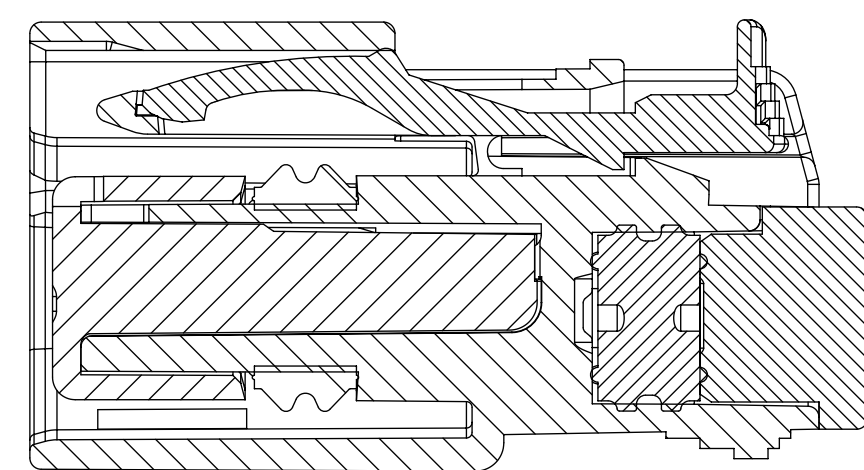
2.75±0.50

⑥



PRIMARY LOCK REINFORCEMENT (PLR) SHOWN
IN PRE-STAGED POSITION

SECTION Z-Z



PRIMARY LOCK REINFORCEMENT (PLR) SHOWN
IN FINAL-LOCK POSITION

SECTION X-X

| | | | | | |
|--|---|---------------------------|----------------------------|---------------------------|---|
| FUNCTIONAL SYMBOLS | THIS DRAWING CONTAINS INFORMATION THAT IS PROPRIETARY TO MOLEX ELECTRONIC TECHNOLOGIES, LLC AND SHOULD NOT BE USED WITHOUT WRITTEN PERMISSION | | CURRENT REV DESC: | | |
| | FA = 0 | mm | SCALE 3:1 | | |
| DIVISIONAL SYMBOLS | GENERAL TOLERANCES (UNLESS SPECIFIED) | | EC NO: 643941 | | MX150 RCPT SINGLE ROW SEALED ASSY MAT SEAL PRODUCT CUSTOMER DRAWING |
| | FC = 0 | ANGULAR TOL ± 1.0° | | DRWN: XLDONG03 2020/08/21 | |
| DIVISIONAL SYMBOLS | 4 PLACES | ± | DRWN: JDENG02 2020/08/26 | APPR: JDENG02 2020/08/26 | DOCUMENT NUMBER SD-33471-0001 |
| | 3 PLACES | ± | DRWN: APROFFITT 2015/11/04 | APPR: KDEKOSKI 2016/06/14 | |
| | 2 PLACES | ± 0.1 | INITIAL REVISION: | | DOC PART 001 |
| | 1 PLACE | ± 0.2 | DRWN: APROFFITT 2015/11/04 | | REVISION A1 |
| 0 PLACES | ± | APPR: KDEKOSKI 2016/06/14 | | | |
| DRAFT WHERE APPLICABLE MUST REMAIN WITHIN DIMENSIONS | | THIRD ANGLE PROJECTION | DRAWING D-SIZE | SERIES 33471 | MATERIAL NUMBER SEE NOTE 2a |
| | | | | | CUSTOMER GENERAL MARKET |
| | | | | | SHEET NUMBER 5 OF 8 |

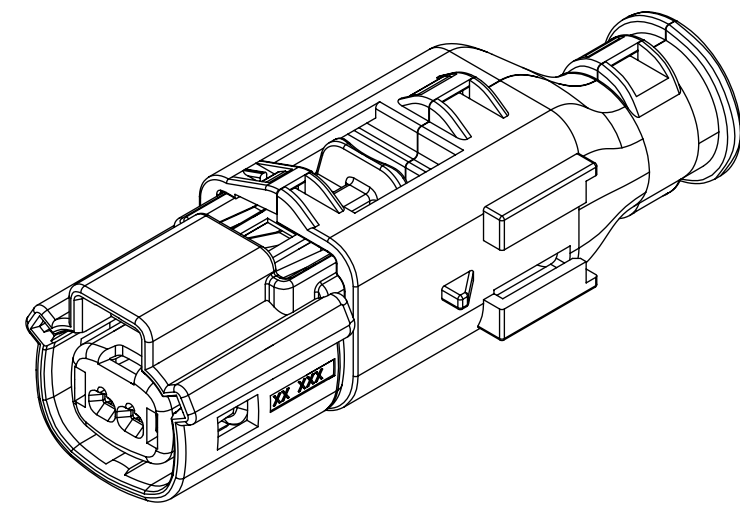
SHEET DESCRIPTION

BACKSHELL NOTES

BACKSHELL NOTES: VALID UNLESS OTHERWISE SPECIFIED

1. GENERAL:

- a. APPLICATION SPECIFICATION SEE: AS-34951-001
 - DESIGNED TO MATE WITH RECEPTACLE SEALED ASSEMBLY SPECIFIED IN MOLEX DRAWING SD-33471-0001.
 - SYSTEM TO BE USED WITH WIRE WITHIN DIAMETER RANGE OF 1.2mm TO 2.69mm.
 - COMPONENTS ARE OPTIONAL AND MUST BE PURCHASED SEPERATELY.
 - BACKSHELL DESIGN IS OWNED BY SCHLEMMER.
 - FOR ADDITIONAL INFORMATION SEE THE BACKSHELL COMPONENT DRAWING SD-34949-0001.



1X2

BACKSHELL CUSTOMER MODEL NUMBER LEGEND

34949-XXXX

CUSTOMER MODEL COMPONENTS

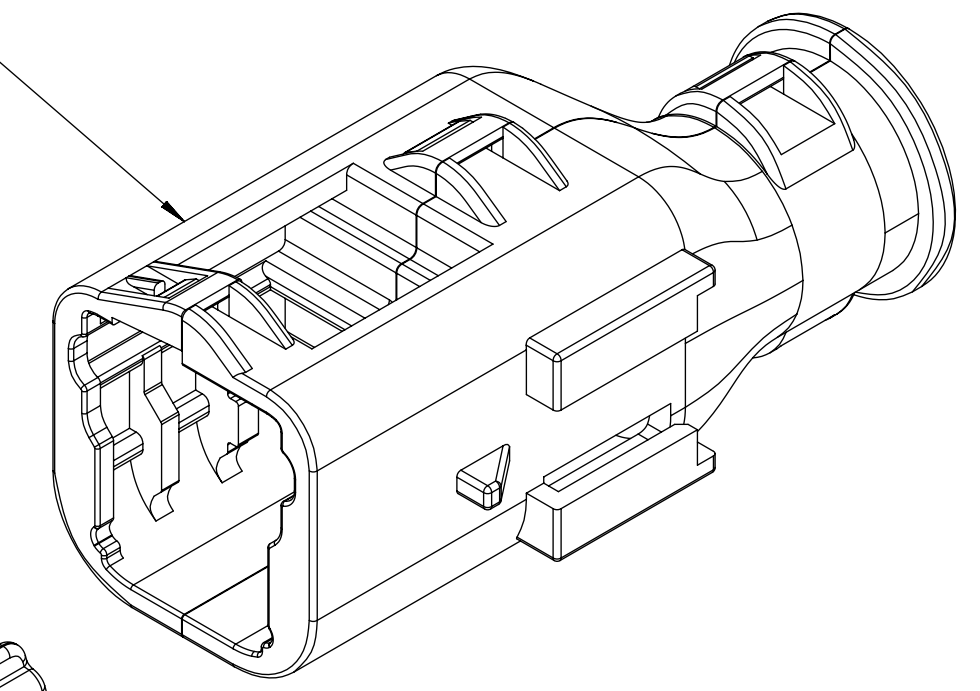
- 0 - BACKSHELL ONLY
- 1 - BACKSHELL & MX150 HOUSING KEY A ASSEMBLY
- 2 - BACKSHELL & MX150 HOUSING KEY B ASSEMBLY
- 3 - BACKSHELL & MX150 HOUSING KEY C ASSEMBLY
- 4 - BACKSHELL & MX150 HOUSING KEY D ASSEMBLY

BACKSHELL FEATURES

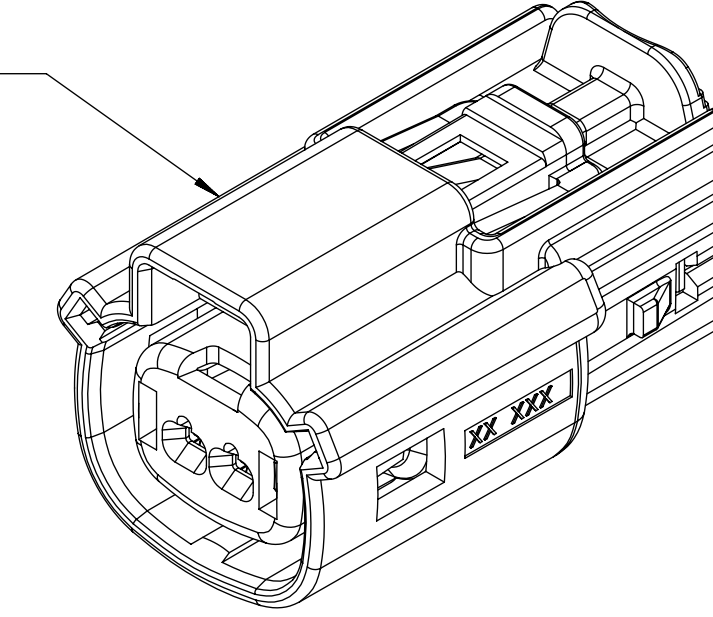
- 1 - WITH RIBS
- 2 - WITHOUT RIBS

MX150 CIRCUIT SIZE 02, 03, 04, 05, 06

BACKSHELL (BKS)



RECEPTACLE SEALED ASSEMBLY



| | | | |
|--|---|------------------------|---|
| FUNCTIONAL SYMBOLS | THIS DRAWING CONTAINS INFORMATION THAT IS PROPRIETARY TO MOLEX ELECTRONIC TECHNOLOGIES, LLC AND SHOULD NOT BE USED WITHOUT WRITTEN PERMISSION | | |
| | DIMENSION UNITS | SCALE | CURRENT REV DESC: |
| $\nabla_A = 0$ | mm | 4:1 | EC NO: 643941 DRWN: XLDONG03 2020/08/21 CHK'D: JDENG02 2020/08/26 APPR: JDENG02 2020/08/26 |
| $\nabla_C = 0$ | GENERAL TOLERANCES (UNLESS SPECIFIED) | | |
| $\nabla_D = 0$ | ANGULAR TOL | $\pm 1.0^\circ$ | INITIAL REVISION: DRWN: APROFFITT 2015/11/04 APPR: KDEKOSKI 2016/06/14 |
| DIVISIONAL SYMBOLS | 4 PLACES | \pm | |
| | 3 PLACES | \pm | DOCUMENT NUMBER: SD-33471-0001 DOC TYPE: PSD DOC PART: 001 REVISION: A1 |
| | 2 PLACES | ± 0.1 | |
| | 1 PLACE | ± 0.2 | MATERIAL NUMBER: SEE NOTE 2a CUSTOMER: GENERAL MARKET SHEET NUMBER: 6 OF 8 |
| | 0 PLACES | \pm | |
| DRAFT WHERE APPLICABLE MUST REMAIN WITHIN DIMENSIONS | | THIRD ANGLE PROJECTION | DRAWING: D-SIZE |
| | | | SERIES: 33471 |

molex

MX150 RCPT
SINGLE ROW SEALED ASSY MAT SEAL

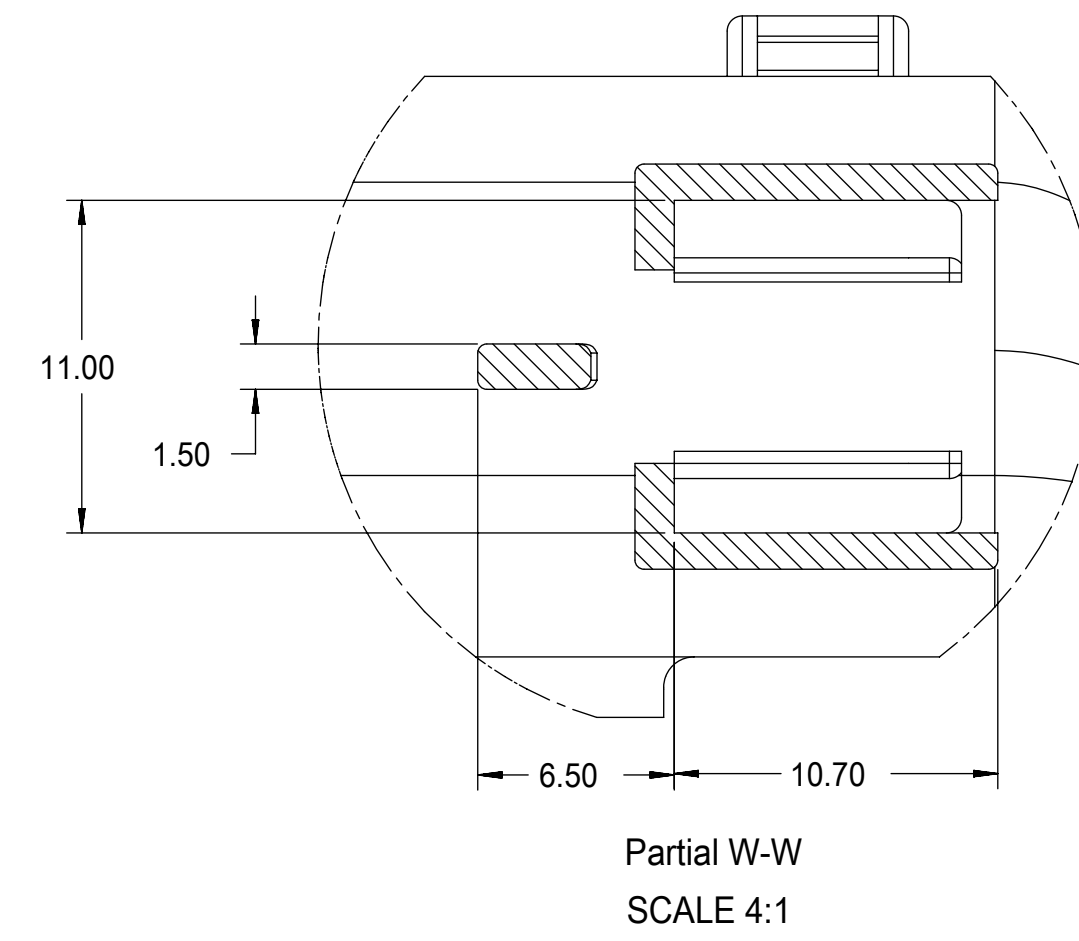
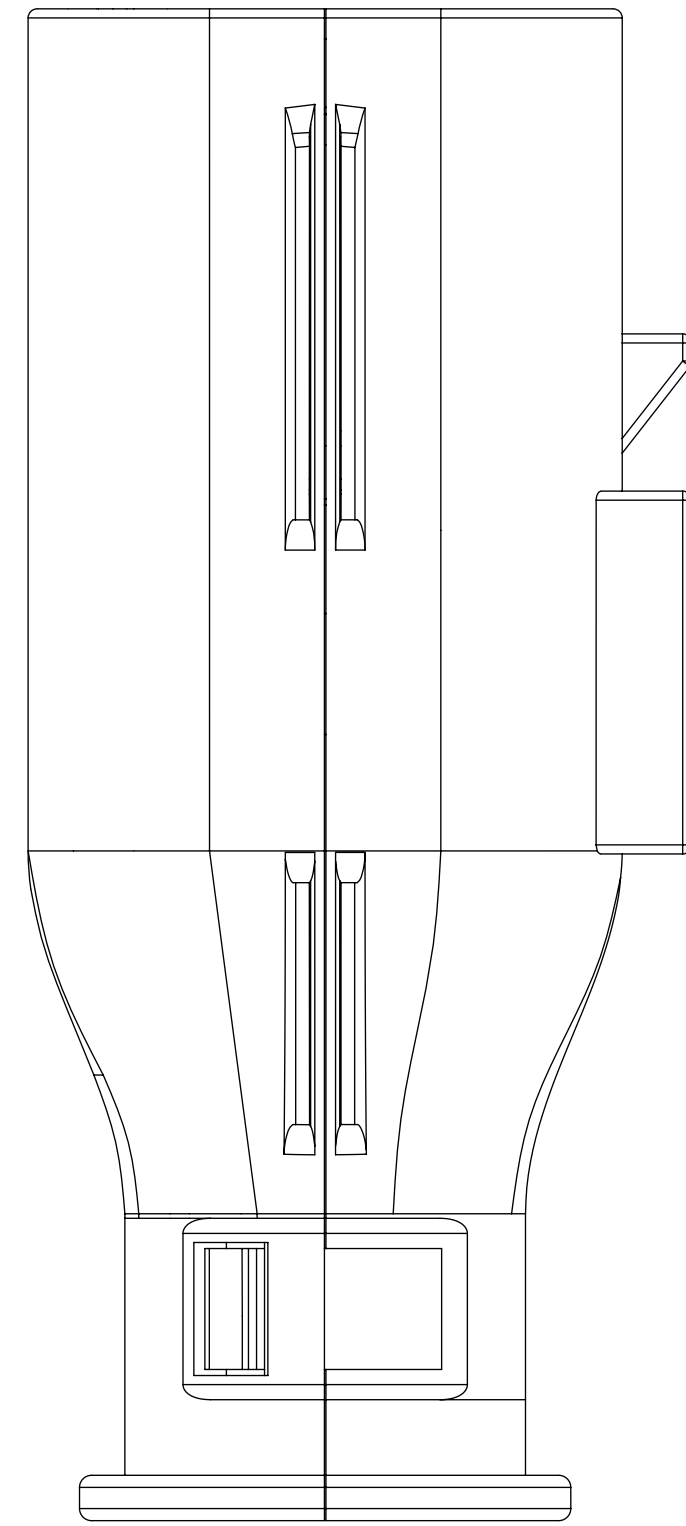
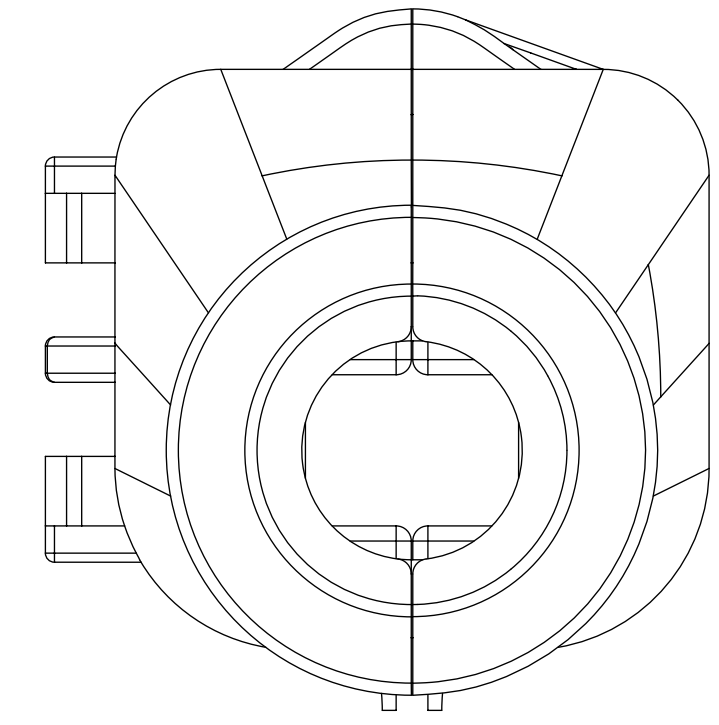
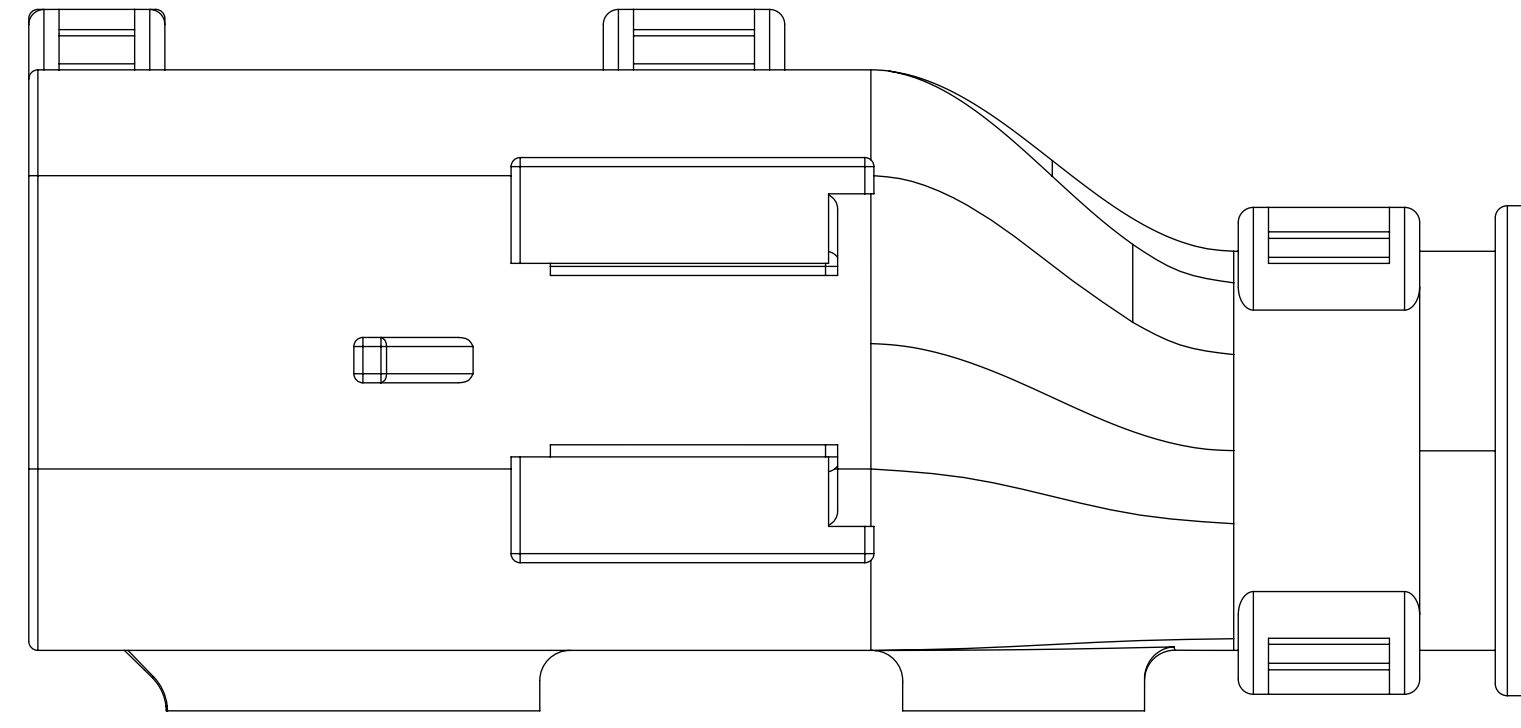
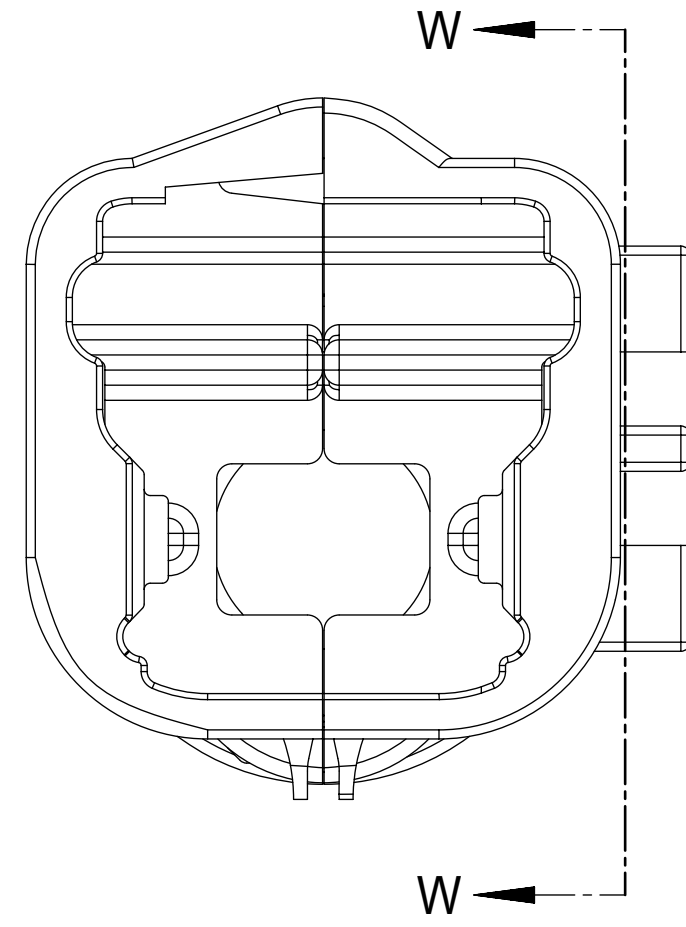
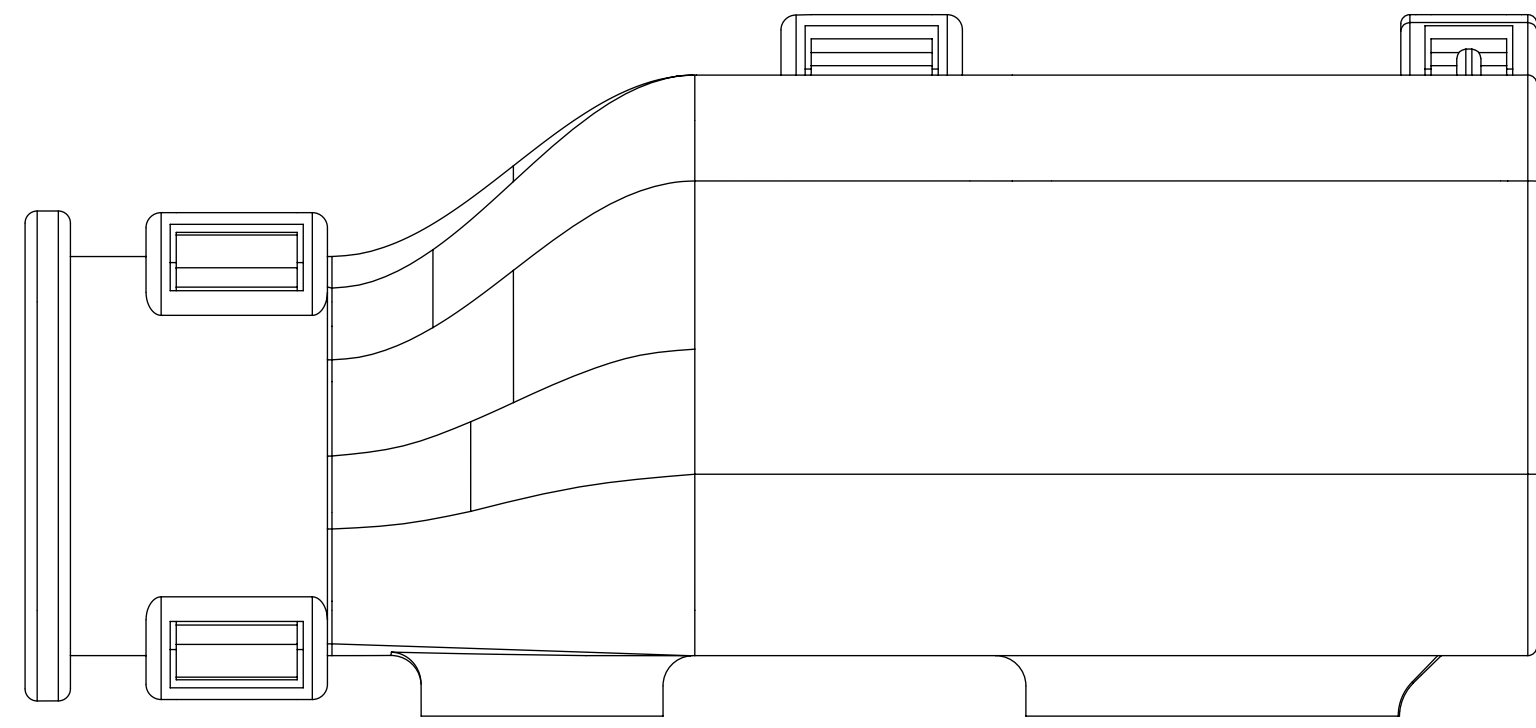
PRODUCT CUSTOMER DRAWING

DOCUMENT NUMBER: SD-33471-0001
DOC TYPE: PSD
DOC PART: 001
REVISION: A1

MATERIAL NUMBER: SEE NOTE 2a
CUSTOMER: GENERAL MARKET
SHEET NUMBER: 6 OF 8

SHEET DESCRIPTION

BACKSHELL



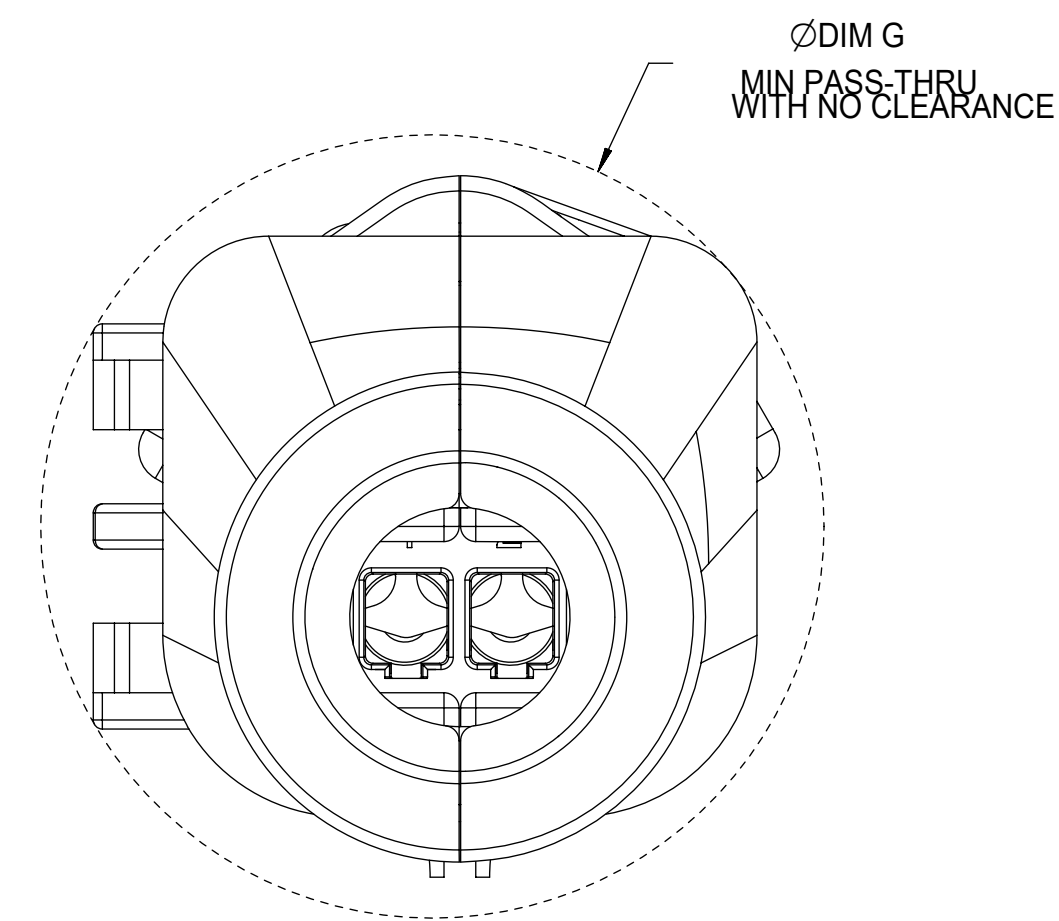
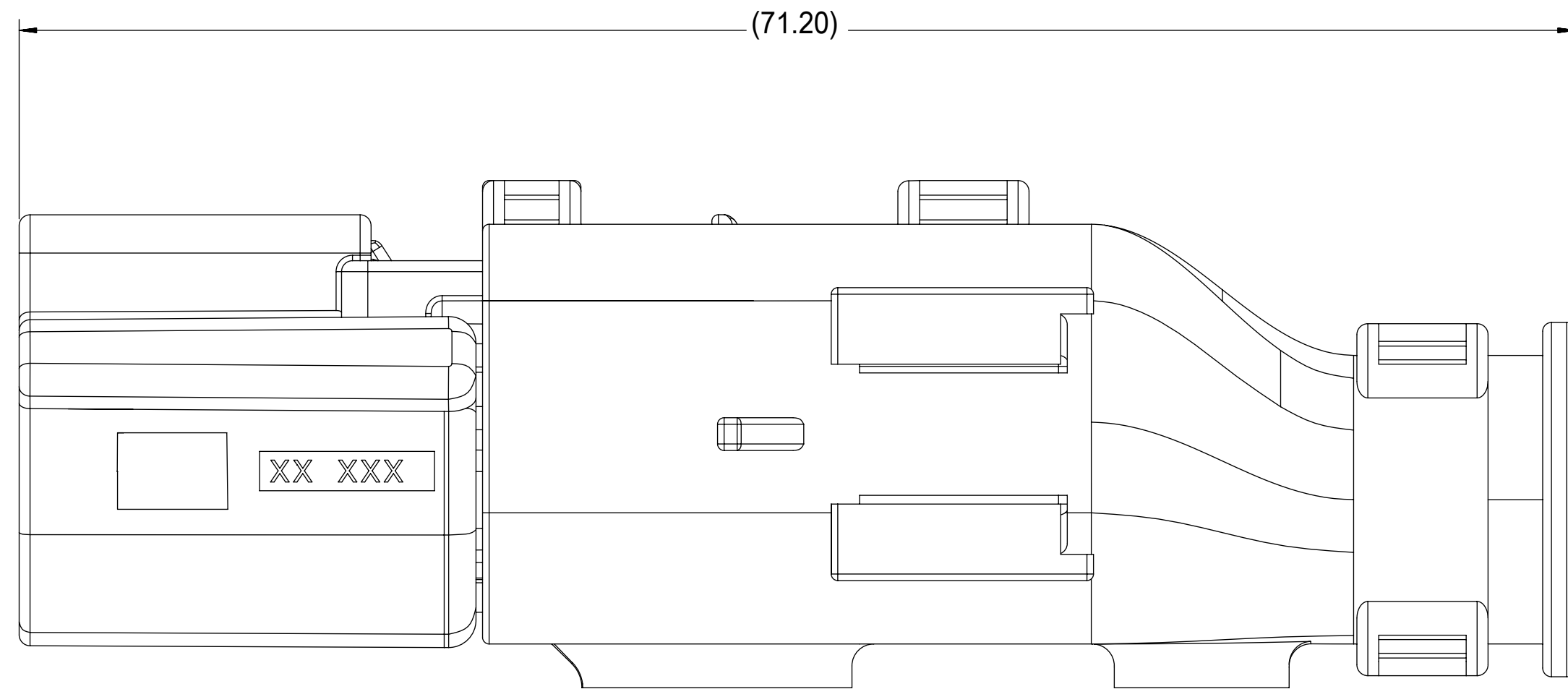
| | | | | | | | | | | |
|--|---|---------------------|--|--------------------------------|--|-------------------------------|---|-----------------|---|-----------------------|
| FUNCTIONAL SYMBOLS $F_A = 0$ $F_C = 0$ $F_P = 0$ | THIS DRAWING CONTAINS INFORMATION THAT IS PROPRIETARY TO MOLEX ELECTRONIC TECHNOLOGIES, LLC AND SHOULD NOT BE USED WITHOUT WRITTEN PERMISSION | | CURRENT REV DESC: | | | | | | | |
| | DIMENSION UNITS mm | SCALE 4:1 | GENERAL TOLERANCES (UNLESS SPECIFIED) ANGULAR TOL $\pm 1.0^\circ$ | | | | | | EC NO: 643941 DRWN: XLDONG03 2020/08/21 CHK'D: JDENG02 2020/08/26 APPR: JDENG02 2020/08/26 | |
| DIVISIONAL SYMBOLS 4 PLACES \pm 3 PLACES \pm 2 PLACES ± 0.1 1 PLACE ± 0.2 0 PLACES \pm | DRAFT WHERE APPLICABLE MUST REMAIN WITHIN DIMENSIONS | | THIRD ANGLE PROJECTION | | INITIAL REVISION: DRWN: APROFFITT 2015/11/04 APPR: KDEKOSKI 2016/06/14 | | DOCUMENT NUMBER SD-33471-0001 | DOC TYPE PSD | DOC PART 001 | REVISION A1 |
| | D-DRAWING D-SIZE | | SERIES 33471 | MATERIAL NUMBER SEE NOTE 2a | CUSTOMER GENERAL MARKET | SHEET NUMBER 7 OF 8 | | | | |

SHEET DESCRIPTION

BACKSHELL CONFIGURATIONS

CHARTED DIMENSIONS

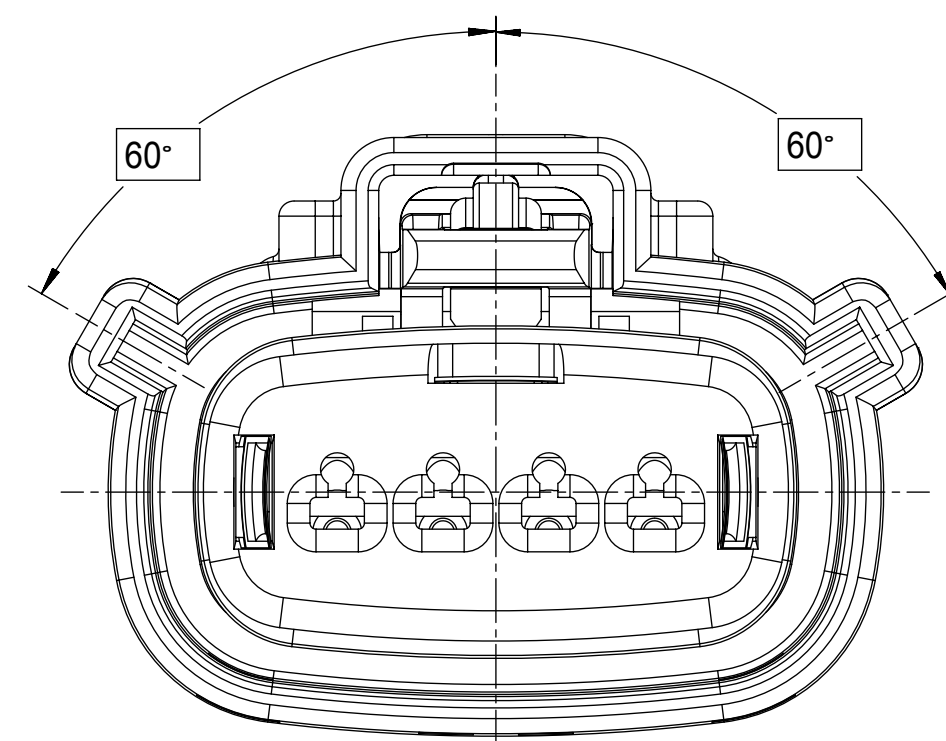
| DESCRIPTION | DIMENSIONS |
|-------------|------------|
| | G |
| 1X2 | 26.00 |
| | |
| | |
| | |



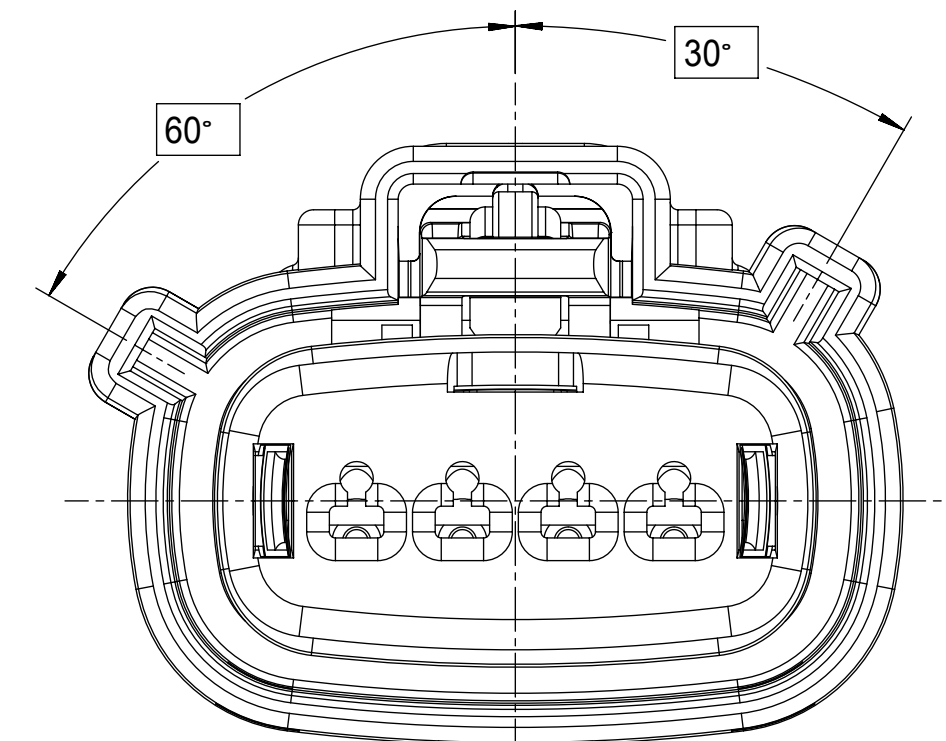
RECEPTACLE SEALED ASSEMBLY WITH RECEPTACLE BACKSHELL

| | | | | | | | |
|--|---|--|---------------------------|--------------------------|----------|---------------------|----------|
| FUNCTIONAL SYMBOLS FA = 0 FC = 0 FP = 0 DIVISIONAL SYMBOLS | THIS DRAWING CONTAINS INFORMATION THAT IS PROPRIETARY TO MOLEX ELECTRONIC TECHNOLOGIES, LLC AND SHOULD NOT BE USED WITHOUT WRITTEN PERMISSION | | CURRENT REV DESC: | | | | |
| | DIMENSION UNITS | SCALE | EC NO: 643941 | | | | |
| | mm | 4:1 | DRWN: XLDONG03 2020/08/21 | | | | |
| | GENERAL TOLERANCES (UNLESS SPECIFIED) | | CHK'D: JDENG02 2020/08/26 | | | | |
| | ANGULAR TOL ± 1.0° | | APPR: JDENG02 2020/08/26 | | | | |
| 4 PLACES ± | | INITIAL REVISION: | | DOCUMENT NUMBER | DOC TYPE | DOC PART | REVISION |
| 3 PLACES ± | | DRWN: APROFFITT 2015/11/04 | | SD-33471-0001 | PSD | 001 | A1 |
| 2 PLACES ± 0.1 | | APPR: KDEKOSKI 2016/06/14 | | PRODUCT CUSTOMER DRAWING | | | |
| 1 PLACE ± 0.2 | | DRAFT WHERE APPLICABLE MUST REMAIN WITHIN DIMENSIONS | | SEE NOTE 2a | | GENERAL MARKET | |
| 0 PLACES ± | | THIRD ANGLE PROJECTION | | D-SIZE 33471 | | SHEET NUMBER 8 OF 8 | |

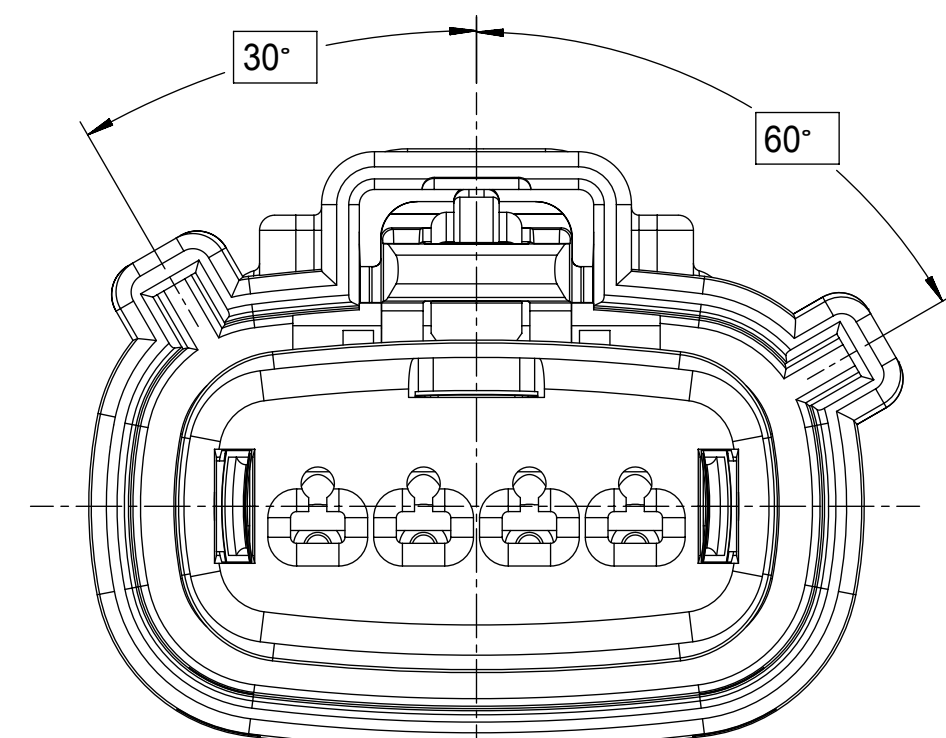
KEY CONFIGURATIONS



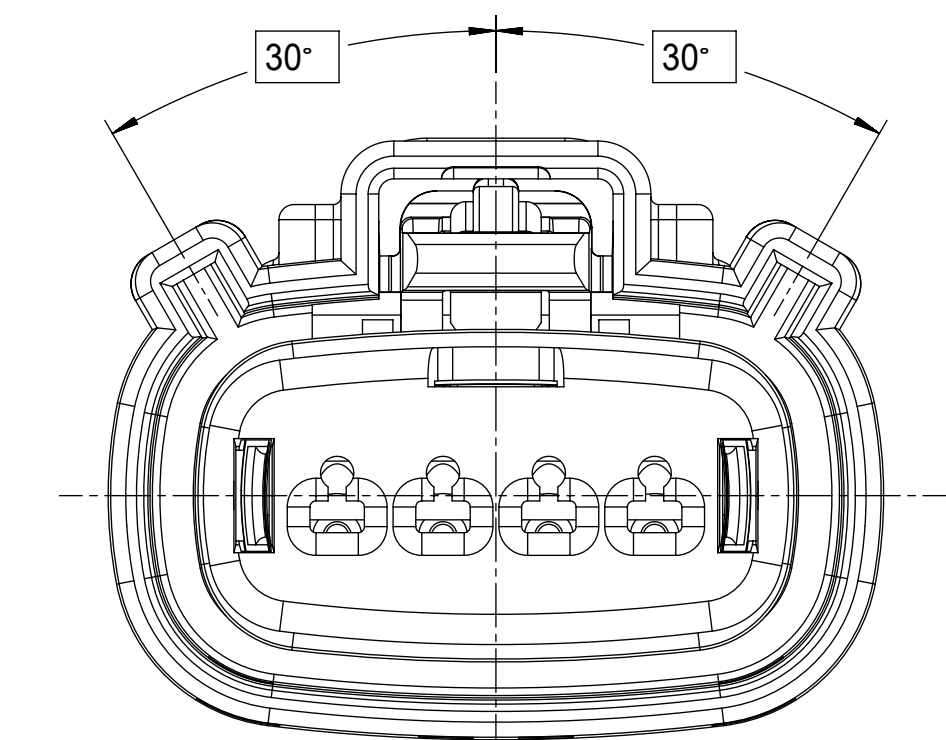
KEY A



KEY B



KEY C



KEY D

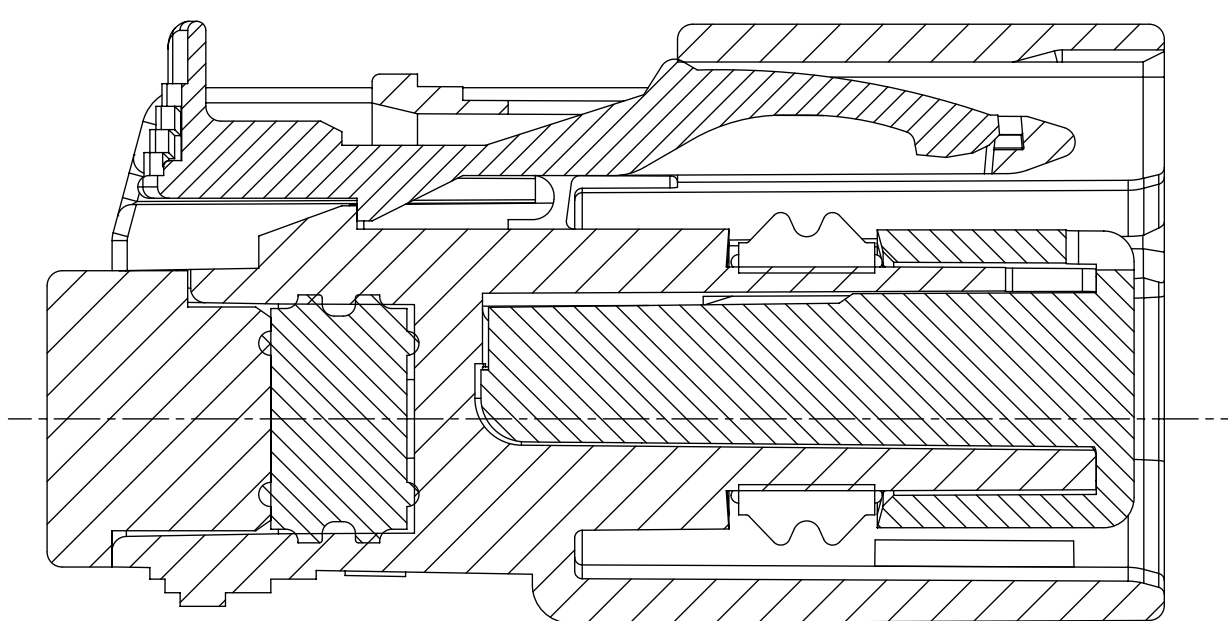
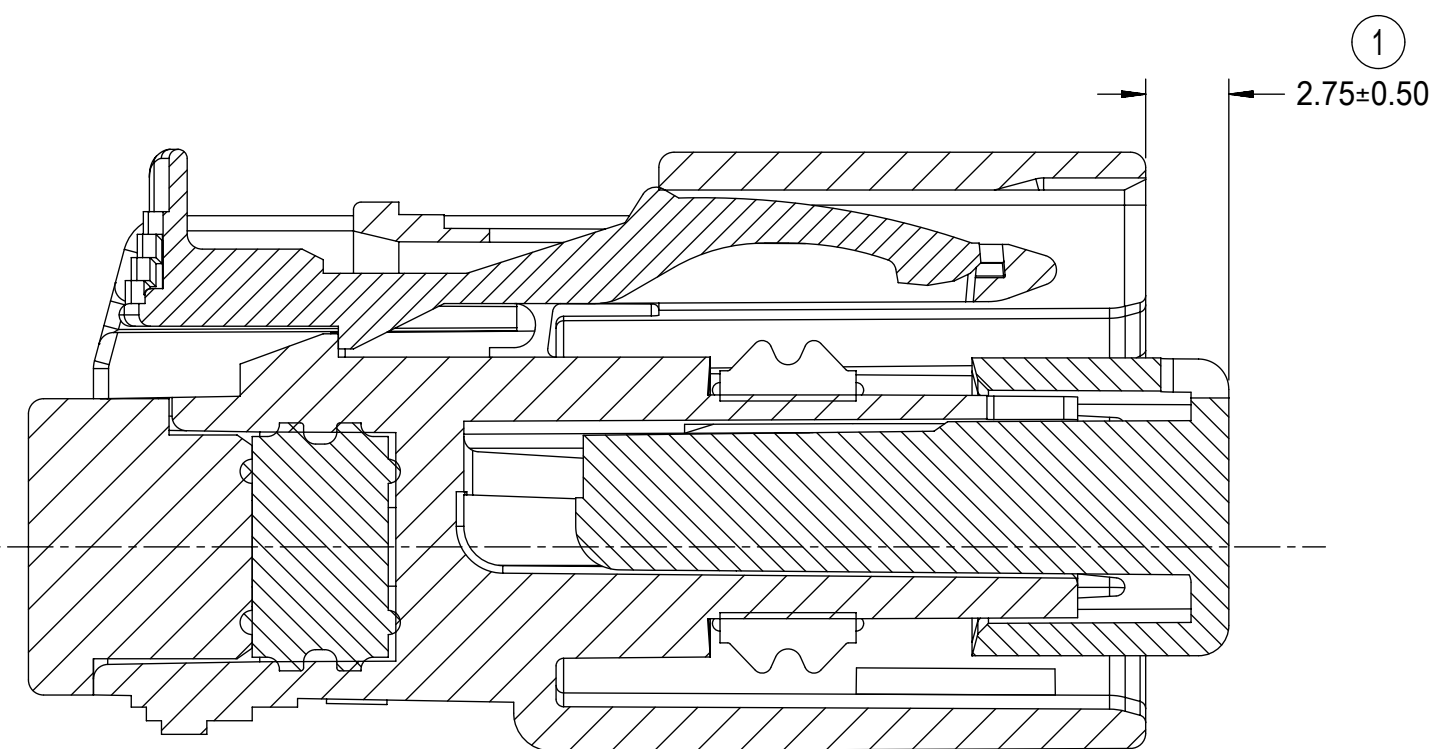
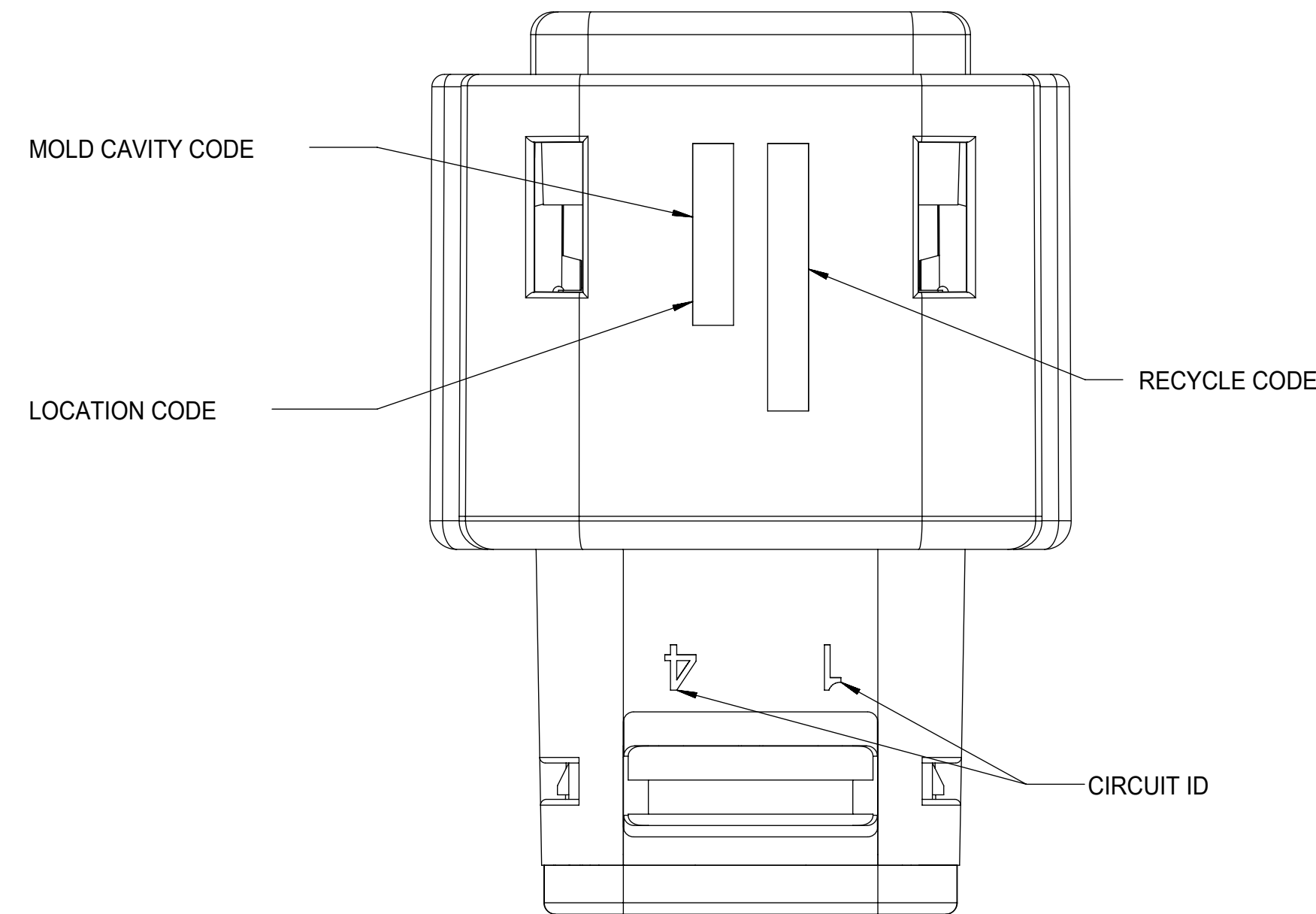
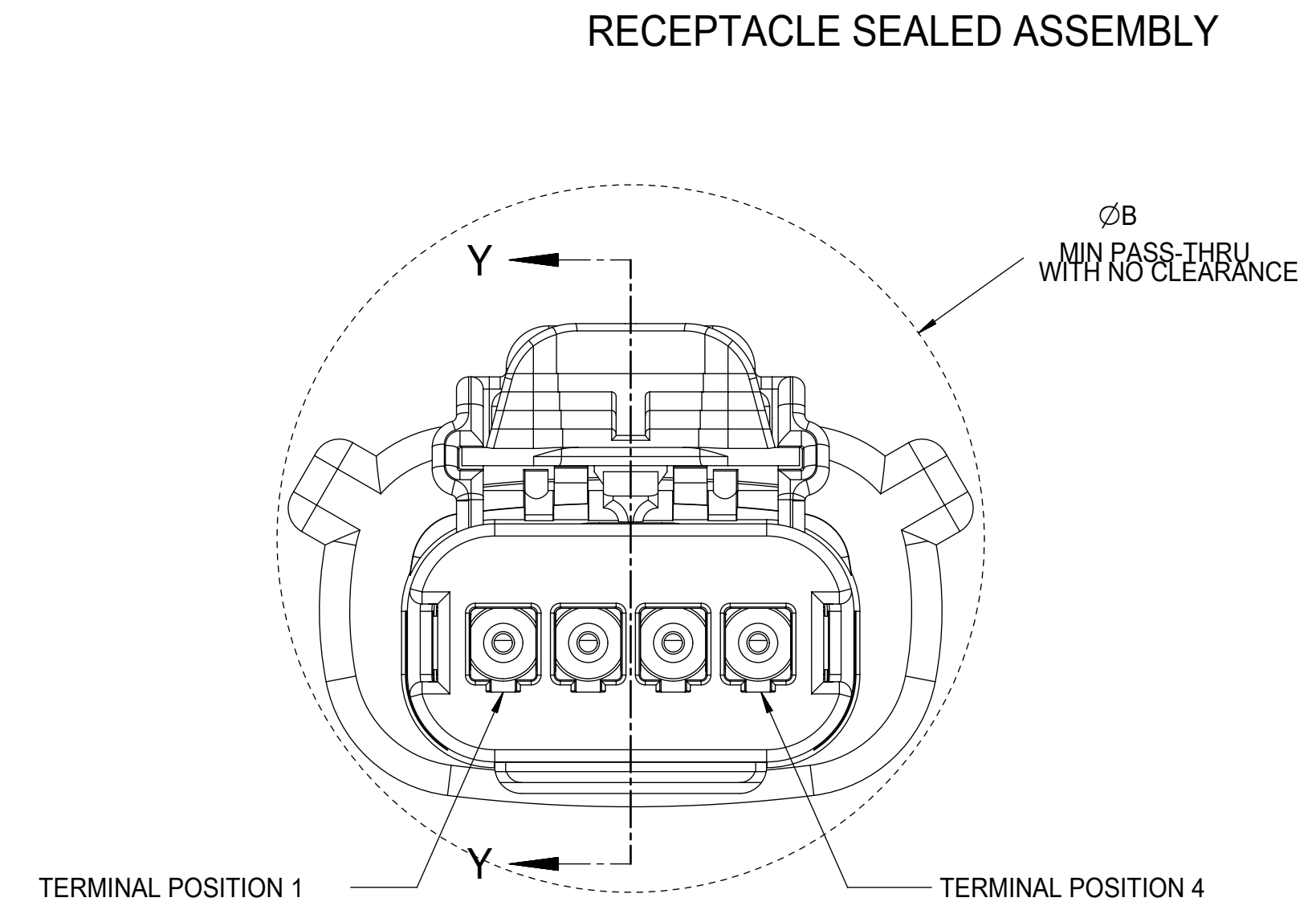
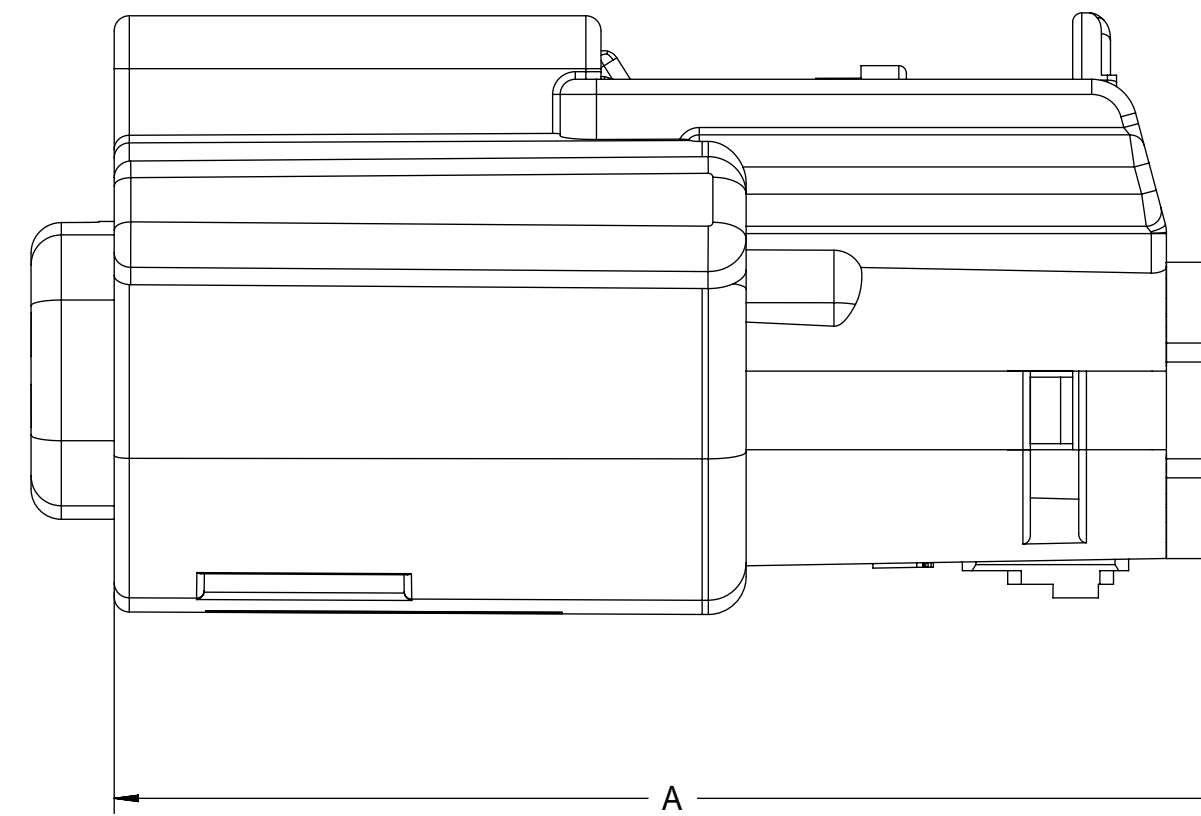
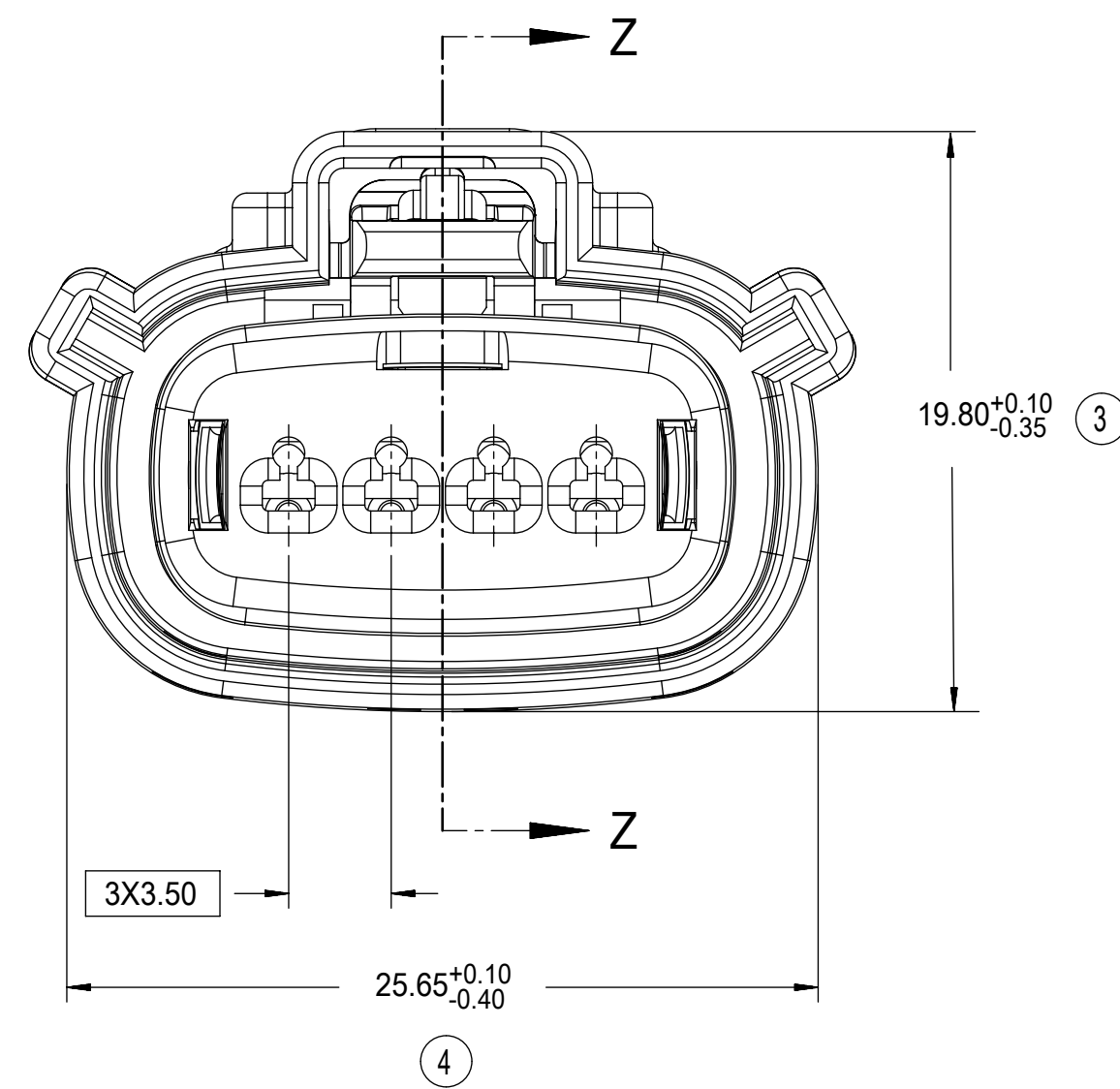
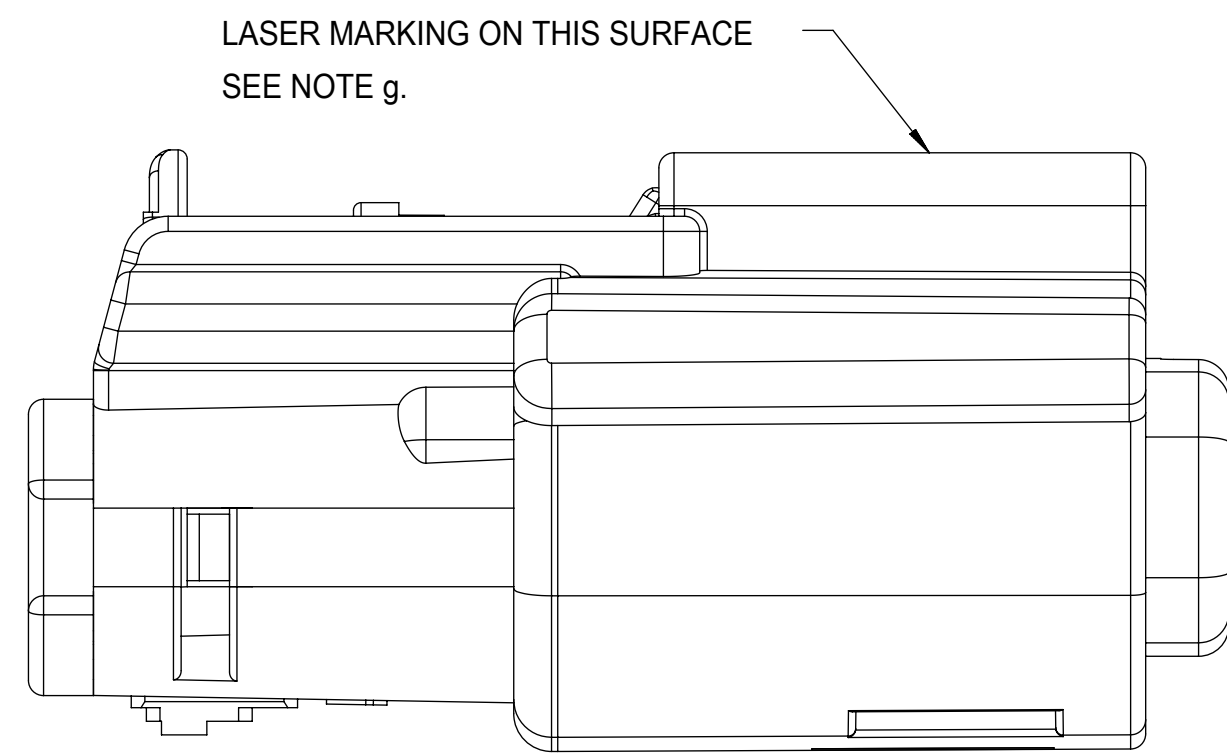
| | | | |
|--|---|------------------------|--|
| FUNCTIONAL SYMBOLS | THIS DRAWING CONTAINS INFORMATION THAT IS PROPRIETARY TO MOLEX ELECTRONIC TECHNOLOGIES, LLC AND SHOULD NOT BE USED WITHOUT WRITTEN PERMISSION | | |
| | DIMENSION UNITS | SCALE | CURRENT REV DESC: SEE REVISION TABLE |
| $F_A = 0$ | mm | 4:1 | |
| $F_C = 0$ | GENERAL TOLERANCES (UNLESS SPECIFIED) | | |
| | ANGULAR TOL $\pm 3.0^\circ$ | | |
| DIVISIONAL SYMBOLS | 4 PLACES | \pm | EC NO: 674870 |
| | 3 PLACES | \pm | DRWN: SCV 2021/08/23 |
| | 2 PLACES | ± 0.1 | CHK'D: GGA 2021/08/27 |
| | 1 PLACE | ± 0.3 | APPR: GGA 2021/08/27 |
| | 0 PLACES | \pm | INITIAL REVISION: DRWN: DGRIFITHS 2010/03/31 APPR: VKOSHY 2010/04/06 |
| DRAFT WHERE APPLICABLE MUST REMAIN WITHIN DIMENSIONS | | THIRD ANGLE PROJECTION | DRAWING SERIES MATERIAL NUMBER CUSTOMER SHEET NUMBER |
| | | | D-SIZE 33471 SEE BOM GENERAL MARKET 2 OF 6 |

molex

MX150 1X4 RECEPTACLE
SEALED ASSEMBLY MAT SEAL

PRODUCT CUSTOMER DRAWING

| | | | |
|-----------------|----------|----------|----------|
| DOCUMENT NUMBER | DOC TYPE | DOC PART | REVISION |
| SD-33471-041 | PSD | 002 | W6 |



CHARTED DIMENSIONS

| CONFIGURATION | A | B |
|---|-------------|-------|
| MX150 1X4 RECPT SEALED ASSY - STANDARD | 36.95 ±0.70 | 29.14 |
| MX150 1X4 RECPT SEALED ASSY - ERGO | 36.95 ±0.90 | 29.33 |
| MX150 1X4 RECPT SEALED ASSY - SHORTING (SHRT) BAR | 36.95 ±0.70 | 29.14 |

| | | | | |
|--|---|----------------------------|--|--|
| FUNCTIONAL SYMBOLS FA = 0 FE = 0 FP = 0 DIVISIONAL SYMBOLS | THIS DRAWING CONTAINS INFORMATION THAT IS PROPRIETARY TO MOLEX ELECTRONIC TECHNOLOGIES, LLC AND SHOULD NOT BE USED WITHOUT WRITTEN PERMISSION DIMENSION UNITS: mm SCALE: 4:1 | | CURRENT REV DESC: SEE REVISION TABLE | |
| | GENERAL TOLERANCES (UNLESS SPECIFIED) ANGULAR TOL ± 3.0° | | EC NO: 674870 DRWN: SCV 2021/08/23 CHK'D: GGA 2021/08/27 APPR: GGA 2021/08/27 | |
| | 4 PLACES ± 3 PLACES ± 2 PLACES ± 0.1 1 PLACE ± 0.3 0 PLACES ± | | INITIAL REVISION: DRWN: DGRIFITHS 2010/03/31 APPR: VKOSHY 2010/04/06 | |
| | DRAFT WHERE APPLICABLE MUST REMAIN WITHIN DIMENSIONS | | THIRD ANGLE PROJECTION | |
| DOCUMENT STATUS P1 RELEASE DATE 2021/08/27 04:44:52 | | D-SIZE 33471 | | molex MX150 1X4 RECEPTACLE SEALED ASSEMBLY MAT SEAL PRODUCT CUSTOMER DRAWING DOCUMENT NUMBER: SD-33471-041 DOC TYPE: PSD DOC PART: 002 REVISION: W6 MATERIAL NUMBER: SEE BOM CUSTOMER: GENERAL MARKET SHEET NUMBER: 3 OF 6 |

| ASSEMBLY DESCRIPTION | ASSEMBLY PART NUMBER | A | B | C | D | C | C | D | GCO | GCP | GCEO | GCEP | P | PS | M | CPA | 1 | 2 | 3 | 4 | STATUS | COMMENTS |
|------------------------------|----------------------|---|---|---|---|---|---|---|-----|-----|------|------|---|----|---|-----|---|---|---|---|-----------------|--------------------|
| VOID KEY | 33471-0440 | | | | | | | | | | | | | | | | | | | | | |
| KEY D W/ SHRT. BAR, GREEN | 33471-0439 | | | | D | | | | GCO | | | | | PS | M | | | | | | NOT RECOMMENDED | SEE P/N 33471-0481 |
| KEY C W/ SHRT. BAR, BROWN | 33471-0438 | | | C | | | | | GCO | | | | | PS | M | | | | | | NOT RECOMMENDED | SEE P/N 33471-0480 |
| KEY B W/ SHRT. BAR, LT. GRAY | 33471-0437 | | | B | | | | | GCO | | | | | PS | M | | | | | | | |
| KEY A W/ SHRT. BAR, BLACK | 33471-0436 | A | | | | | | | GCO | | | | | PS | M | | | | | | SALEABLE | |
| VOID KEY | 33471-0435 | | | | | | | | | | | | | | | | | | | | | |
| KEY D W/O MAT SEAL, GREEN | 33471-0434 | | | | D | | | | GCO | | | | | P | | | | | | | NOT RECOMMENDED | SEE P/N 33471-0479 |
| KEY C W/O MAT SEAL, BROWN | 33471-0433 | | | C | | | | | GCO | | | | | P | | | | | | | NOT RECOMMENDED | SEE P/N 33471-0478 |
| KEY B W/O MAT SEAL, LT. GRAY | 33471-0432 | | | B | | | | | GCO | | | | | P | | | | | | | NOT VALIDATED | NOT VALIDATED |
| KEY A W/O MAT SEAL, BLACK | 33471-0431 | A | | | | | | | GCO | | | | | P | | | | | | | SALEABLE | NOT VALIDATED |
| VOID KEY | 33471-0430 | | | | | | | | | | | | | | | | | | | | | |
| KEY D W/ CPA, GREEN | 33471-0429 | | | | D | | | | GCP | | | | | P | M | CPA | 1 | | | 4 | NOT RECOMMENDED | SEE P/N 33471-0477 |
| KEY C W/ CPA, BROWN | 33471-0428 | | | C | | | | | GCP | | | | | P | M | CPA | 1 | | | 4 | NOT RECOMMENDED | SEE P/N 33471-0476 |
| KEY B W/ CPA, LT. GRAY | 33471-0427 | | | B | | | | | GCP | | | | | P | M | CPA | 1 | | | 4 | | |
| KEY A W/ CPA, BLACK | 33471-0426 | A | | | | | | | GCP | | | | | P | M | CPA | 1 | | | 4 | SALEABLE | |
| VOID KEY | 33471-0425 | | | | | | | | | | | | | | | | | | | | | |
| KEY D, GREEN | 33471-0424 | | | | D | | | | GCP | | | | | P | M | | 1 | | | 4 | NOT RECOMMENDED | SEE P/N 33471-0475 |
| KEY C, BROWN | 33471-0423 | | | C | | | | | GCP | | | | | P | M | | 1 | | | 4 | NOT RECOMMENDED | SEE P/N 33471-0474 |
| KEY B, LT. GRAY | 33471-0422 | | | B | | | | | GCP | | | | | P | M | | 1 | | | 4 | | |
| KEY A, BLACK | 33471-0421 | A | | | | | | | GCP | | | | | P | M | | 1 | | | 4 | SALEABLE | |
| VOID KEY | 33471-0420 | | | | | | | | | | | | | | | | | | | | | |
| KEY D W/ CPA, GREEN | 33471-0419 | | | | D | | | | GCP | | | | | P | M | CPA | | | | 4 | NOT RECOMMENDED | SEE P/N 33471-0473 |
| KEY C W/ CPA, BROWN | 33471-0418 | | | C | | | | | GCP | | | | | P | M | CPA | | | | 4 | NOT RECOMMENDED | SEE P/N 33471-0472 |
| KEY B W/ CPA, LT. GRAY | 33471-0417 | | | B | | | | | GCP | | | | | P | M | CPA | | | | 4 | | |
| KEY A W/ CPA, BLACK | 33471-0416 | A | | | | | | | GCP | | | | | P | M | CPA | | | | 4 | SALEABLE | |
| VOID KEY | 33471-0415 | | | | | | | | | | | | | | | | | | | | | |
| KEY D, GREEN | 33471-0414 | | | | D | | | | GCP | | | | | P | M | | | | | 4 | NOT RECOMMENDED | SEE P/N 33471-0471 |
| KEY C, BROWN | 33471-0413 | | | C | | | | | GCP | | | | | P | M | | | | | 4 | NOT RECOMMENDED | SEE P/N 33471-0470 |
| KEY B, LT. GRAY | 33471-0412 | | | B | | | | | GCP | | | | | P | M | | | | | 4 | | |
| KEY A, BLACK | 33471-0411 | A | | | | | | | GCP | | | | | P | M | | | | | 4 | SALEABLE | |
| KEY C W/ CPA, BLACK | 33471-0410 | | | | | C | | | GCO | | | | | P | M | CPA | | | | | | |
| KEY D W/ CPA, GREEN | 33471-0409 | | | | D | | | | GCO | | | | | P | M | CPA | | | | | NOT RECOMMENDED | SEE P/N 33471-0465 |
| KEY C W/ CPA, BROWN | 33471-0408 | | | C | | | | | GCO | | | | | P | M | CPA | | | | | NOT RECOMMENDED | SEE P/N 33471-0464 |
| KEY B W/ CPA, LT. GRAY | 33471-0407 | | | B | | | | | GCO | | | | | P | M | CPA | | | | | | |
| KEY A W/ CPA, BLACK | 33471-0406 | A | | | | | | | GCO | | | | | P | M | CPA | | | | | SALEABLE | |
| VOID KEY | 33471-0405 | | | | | | | | | | | | | | | | | | | | | |
| KEY D, GREEN | 33471-0404 | | | | D | | | | GCO | | | | | P | M | | | | | | NOT RECOMMENDED | SEE P/N 33471-0463 |
| KEY C, BROWN | 33471-0403 | | | C | | | | | GCO | | | | | P | M | | | | | | NOT RECOMMENDED | SEE P/N 33471-0462 |
| KEY B, LT. GRAY | 33471-0402 | | | B | | | | | GCO | | | | | P | M | | | | | | | |
| KEY A, BLACK | 33471-0401 | A | | | | | | | GCO | | | | | P | M | | | | | | SALEABLE | |

| DESCRIPTION | COLOR | MATERIAL |
|--------------------------------|--------------|--------------------------------|
| RING SEAL | BURNT ORANGE | INHERENTLY LUBRICATED SILICONE |
| CPA | BRIGHT RED | PBT GF30 |
| MAT SEAL | LIGHT BLUE | INHERENTLY LUBRICATED SILICONE |
| SHORTING BAR PLR | NATURAL | SPS/NYLON GF20 |
| STANDARD PLR | NATURAL | SPS/NYLON GF20 |
| ERGONOMIC GROMMET CAP, PLUGGED | BLACK | SPS/NYLON GF20 |
| ERGONOMIC GROMMET CAP, OPEN | BLACK | SPS/NYLON GF20 |
| STANDARD GROMMET CAP, PLUGGED | BLACK | SPS/NYLON GF20 |
| STANDARD GROMMET CAP, OPEN | BLACK | SPS/NYLON GF20 |
| HOUSING KEYING OPTION D | STONE GRAY | SPS/NYLON GF20 |
| HOUSING KEYING OPTION C | DARK GRAY | SPS/NYLON GF20 |
| HOUSING KEYING OPTION C | BLACK | SPS/NYLON GF20 |
| HOUSING KEYING OPTION D | GREEN | SPS/NYLON GF20 |
| HOUSING KEYING OPTION C | BROWN | SPS/NYLON GF20 |
| HOUSING KEYING OPTION B | LIGHT GRAY | SPS/NYLON GF20 |
| HOUSING KEYING OPTION A | BLACK | SPS/NYLON GF20 |

BOM/APPLICABLE COMPONENTS TABLE

| ABREVIATION | COMPONENT |
|-------------|---------------------------------|
| A | HOUSING KEY A |
| B | HOUSING KEY B |
| C | HOUSING KEY C |
| D | HOUSING KEY D |
| GCO | GROMMET CAP, STANDARD, OPEN |
| GCP | GROMMET CAP, STANDARD, PLUGGED |
| GCEO | GROMMET CAP, ERGONOMIC, OPEN |
| GCEP | GROMMET CAP, ERGONOMIC, PLUGGED |
| M | MAT SEAL |
| P | PLR, STANDARD |
| PS | PLR, SHRT. BAR LIFTER |
| R | RING SEAL |
| CPA | CPA |

| | |
|--------------------|---|
| FUNCTIONAL SYMBOLS | THIS DRAWING CONTAINS INFORMATION THAT IS PROPRIETARY TO MOLEX ELECTRONIC TECHNOLOGIES, LLC AND SHOULD NOT BE USED WITHOUT WRITTEN PERMISSION |
| FA = 0 | DIMENSION UNITS: mm |
| FC = 0 | SCALE |
| FP = 0 | CURRENT REV DESC: SEE REVISION TABLE |
| DIVISIONAL SYMBOLS | GENERAL TOLERANCES (UNLESS SPECIFIED) |
| | ANGULAR TOL ± 3.0° |
| | 4 PLACES ± |
| | 3 PLACES ± |
| | 2 PLACES ± 0.1 |
| | 1 PLACE ± 0.3 |
| | 0 PLACES ± |
| | DRAFT WHERE APPLICABLE MUST REMAIN WITHIN DIMENSIONS |
| | THIRD ANGLE PROJECTION |
| | DRAWING SERIES |
| | D-SIZE 33471 |
| | MATERIAL NUMBER CUSTOMER |
| | SEE BOM GENERAL MARKET |
| | SHEET NUMBER |
| | 4 OF 6 |

| | | | |
|---|----------|----------|----------|
| molex | | | |
| MX150 1X4 RECEPTACLE SEALED ASSEMBLY MAT SEAL | | | |
| PRODUCT CUSTOMER DRAWING | | | |
| DOCUMENT NUMBER | DOC TYPE | DOC PART | REVISION |
| SD-33471-041 | PSD | 002 | W6 |

| ASSEMBLY DESCRIPTION | ASSEMBLY PART NUMBER | A | B | C | D | C | C | D | GCO | GCP | GCEO | GCEP | P | PS | M | CPA | 1 | 2 | 3 | 4 | STATUS | COMMENTS | |
|------------------------------------|----------------------|---|---|---|---|---|---|---|-----|------|------|------|---|----|----|-----|-----|---|---|---|-----------------|--------------------|--------------------|
| KEY C W/ SHRT. BAR, DARK GRAY | 33471-0480 | | | | | | | | C | GCO | | | | | PS | M | | | | | SALEABLE | | |
| KEY D W/O MAT SEAL, STONE GRAY | 33471-0479 | | | | | | | | D | GCO | | | | | P | | | | | | SALEABLE | | |
| KEY C W/O MAT SEAL, DARK GRAY | 33471-0478 | | | | | | | | C | GCO | | | | | P | | | | | | SALEABLE | | |
| KEY D W/ CPA, STONE GRAY | 33471-0477 | | | | | | | | D | | GCP | | | | P | M | CPA | 1 | | 4 | SALEABLE | | |
| KEY C W/ CPA, DARK GRAY | 33471-0476 | | | | | | | | C | | GCP | | | | P | M | CPA | 1 | | 4 | SALEABLE | | |
| KEY D, STONE GRAY | 33471-0475 | | | | | | | | D | | GCP | | | | P | M | | 1 | | 4 | SALEABLE | | |
| KEY C, DARK GRAY | 33471-0474 | | | | | | | | C | | GCP | | | | P | M | | 1 | | 4 | SALEABLE | | |
| KEY D W/ CPA, STONE GRAY | 33471-0473 | | | | | | | | D | | GCP | | | | P | M | CPA | | | 4 | SALEABLE | | |
| KEY C W/ CPA, DARK GRAY | 33471-0472 | | | | | | | | C | | GCP | | | | P | M | CPA | | | 4 | SALEABLE | | |
| KEY D, STONE GRAY | 33471-0471 | | | | | | | | D | | GCP | | | | P | M | | | | 4 | SALEABLE | | |
| KEY C, DARK GRAY | 33471-0470 | | | | | | | | C | | GCP | | | | P | M | | | | 4 | SALEABLE | | |
| KEY A, BLACK | 33471-0469 | A | | | | | | | | | GCP | | | | P | M | | 2 | | 4 | SALEABLE | | |
| KEY B, W/ CPA, LIGHT GRAY | 33471-0468 | | B | | | | | | | | GCP | | | | P | M | CPA | | 2 | | | | |
| KEY A, BLACK | 33471-0467 | A | | | | | | | | | GCP | | | | P | M | | | 3 | 4 | SALEABLE | | |
| KEY B, LIGHT GRAY | 33471-0466 | | B | | | | | | | | GCP | | | | P | M | | 1 | 2 | | | | |
| KEY D W/ CPA, STONE GRAY | 33471-0465 | | | | | | | | D | GCO | | | | | P | M | CPA | | | | | | |
| KEY C W/ CPA, DARK GRAY | 33471-0464 | | | | | | | | C | GCO | | | | | P | M | CPA | | | | | | |
| KEY D, STONE GRAY | 33471-0463 | | | | | | | | D | GCO | | | | | P | M | | | | | | | |
| KEY C, DARK GRAY | 33471-0462 | | | | | | | | C | GCO | | | | | P | M | | | | | | | |
| KEY A W/ CPA & ERGO. CAP, BLACK | 33471-0461 | A | | | | | | | | GCEO | | | | | P | M | CPA | | | | | | |
| VOID KEY | 33471-0460 | | | | | | | | | | | | | | | | | | | | | | |
| KEY A, BLACK | 33471-0459 | A | | | | | | | | | GCP | | | | P | M | | | 3 | | | | |
| KEY A W/ SHRT. BAR, BLACK | 33471-0458 | A | | | | | | | | | GCP | | | | PS | M | | 1 | | 4 | SALEABLE | | |
| KEY D W/ SHRT. BAR, GREEN | 33471-0457 | | | | D | | | | | | GCP | | | | PS | M | | | | 4 | NOT RECOMMENDED | SEE P/N 33471-0488 | |
| VOID KEY | 33471-0456 | | | | | | | | | | | | | | | | | | | | | | |
| KEY D W/ SHRT. BAR, GREEN | 33471-0455 | | | | D | | | | | | GCP | | | | PS | M | | 1 | 2 | 3 | 4 | NOT RECOMMENDED | SEE P/N 33471-0487 |
| KEY C W/ SHRT. BAR, BROWN | 33471-0454 | | | | C | | | | | | GCP | | | | PS | M | | 1 | 2 | 3 | 4 | NOT RECOMMENDED | SEE P/N 33471-0486 |
| KEY B W/ SHRT. BAR, LT. GRAY | 33471-0453 | | B | | | | | | | | GCP | | | | PS | M | | 1 | 2 | 3 | 4 | | |
| KEY A W/ SHRT. BAR, BLACK | 33471-0452 | A | | | | | | | | | GCP | | | | PS | M | | 1 | 2 | 3 | 4 | SALEABLE | |
| KEY A W/ SHRT. BAR, BLACK | 33471-0451 | A | | | | | | | | | GCP | | | | PS | M | | | | 3 | 4 | SALEABLE | |
| VOID KEY | 33471-0450 | | | | | | | | | | | | | | | | | | | | | | |
| KEY D W/ CPA & SHRT. BAR, GREEN | 33471-0449 | | | | D | | | | | | GCO | | | | PS | M | CPA | | | | | NOT RECOMMENDED | SEE P/N 33471-0485 |
| KEY C W/ CPA & SHRT. BAR, BROWN | 33471-0448 | | | | C | | | | | | GCO | | | | PS | M | CPA | | | | | NOT RECOMMENDED | SEE P/N 33471-0484 |
| KEY B W/ CPA & SHRT. BAR, LT. GRAY | 33471-0447 | | B | | | | | | | | GCO | | | | PS | M | CPA | | | | | | |
| KEY A W/ CPA & SHRT. BAR, BLACK | 33471-0446 | A | | | | | | | | | GCO | | | | PS | M | CPA | | | | | SALEABLE | |
| VOID KEY | 33471-0445 | | | | | | | | | | | | | | | | | | | | | | |
| KEY D, GREEN | 33471-0444 | | | | D | | | | | | GCP | | | | P | M | | 1 | 2 | 3 | 4 | NOT RECOMMENDED | SEE P/N 33471-0483 |
| KEY C, BROWN | 33471-0443 | | | | C | | | | | | GCP | | | | P | M | | 1 | 2 | 3 | 4 | NOT RECOMMENDED | SEE P/N 33471-0482 |
| KEY B, LT. GRAY | 33471-0442 | | B | | | | | | | | GCP | | | | P | M | | 1 | 2 | 3 | 4 | | |
| KEY A, BLACK | 33471-0441 | A | | | | | | | | | GCP | | | | P | M | | 1 | 2 | 3 | 4 | SALEABLE | |

| DESCRIPTION | COLOR | MATERIAL |
|--------------------------------|--------------|--------------------------------|
| RING SEAL | BURNT ORANGE | INHERENTLY LUBRICATED SILICONE |
| CPA | BRIGHT RED | PBT GF30 |
| MAT SEAL | LIGHT BLUE | INHERENTLY LUBRICATED SILICONE |
| SHORTING BAR PLR | NATURAL | SPS/NYLON GF20 |
| STANDARD PLR | NATURAL | SPS/NYLON GF20 |
| ERGONOMIC GROMMET CAP, PLUGGED | BLACK | SPS/NYLON GF20 |
| ERGONOMIC GROMMET CAP, OPEN | BLACK | SPS/NYLON GF20 |
| STANDARD GROMMET CAP, PLUGGED | BLACK | SPS/NYLON GF20 |
| STANDARD GROMMET CAP, OPEN | BLACK | SPS/NYLON GF20 |
| HOUSING KEYING OPTION D | STONE GRAY | SPS/NYLON GF20 |
| HOUSING KEYING OPTION C | DARK GRAY | SPS/NYLON GF20 |
| HOUSING KEYING OPTION C | BLACK | SPS/NYLON GF20 |
| HOUSING KEYING OPTION D | GREEN | SPS/NYLON GF20 |
| HOUSING KEYING OPTION C | BROWN | SPS/NYLON GF20 |
| HOUSING KEYING OPTION B | LIGHT GRAY | SPS/NYLON GF20 |
| HOUSING KEYING OPTION A | BLACK | SPS/NYLON GF20 |

BOM/APPLICABLE COMPONENTS TABLE

| ABREVIATION | COMPONENT |
|-------------|---------------------------------|
| A | HOUSING KEY A |
| B | HOUSING KEY B |
| C | HOUSING KEY C |
| D | HOUSING KEY D |
| GCO | GROMMET CAP, STANDARD, OPEN |
| GCP | GROMMET CAP, STANDARD, PLUGGED |
| GCEO | GROMMET CAP, ERGONOMIC, OPEN |
| GCEP | GROMMET CAP, ERGONOMIC, PLUGGED |
| M | MAT SEAL |
| P | PLR, STANDARD |
| PS | PLR, SHRT. BAR LIFTER |
| R | RING SEAL |
| CPA | CPA |

| | | |
|--|---|--------------------------------------|
| FUNCTIONAL SYMBOLS | THIS DRAWING CONTAINS INFORMATION THAT IS PROPRIETARY TO MOLEX ELECTRONIC TECHNOLOGIES, LLC AND SHOULD NOT BE USED WITHOUT WRITTEN PERMISSION | CURRENT REV DESC: SEE REVISION TABLE |
| FA = 0 | DIMENSION UNITS: mm | SCALE |
| FC = 0 | GENERAL TOLERANCES (UNLESS SPECIFIED) | |
| FP = 0 | ANGULAR TOL ± 3.0° | |
| DIVISIONAL SYMBOLS | 4 PLACES ± | EC NO: 674870 |
| | 3 PLACES ± | DRWN: SCV 2021/08/23 |
| | 2 PLACES ± 0.1 | CHK'D: GGA 2021/08/27 |
| | 1 PLACE ± 0.3 | APPR: GGA 2021/08/27 |
| | 0 PLACES ± | INITIAL REVISION: |
| | | DRWN: DGRIFITHS 2010/03/31 |
| | | APPR: VKOSHY 2010/04/06 |
| DRAFT WHERE APPLICABLE MUST REMAIN WITHIN DIMENSIONS | THIRD ANGLE PROJECTION | DRAWING SERIES |
| | | D-SIZE 33471 |
| DOCUMENT STATUS | P1 | RELEASE DATE 2021/08/27 04:44:52 |
| DOCUMENT NUMBER | | DOC TYPE |
| SD-33471-041 | | PSD |
| DOC PART | | REVISION |
| 002 | | W6 |
| MATERIAL NUMBER | | CUSTOMER |
| SEE BOM | | GENERAL MARKET |
| SHEET NUMBER | | |
| 5 OF 6 | | |

| ASSEMBLY DESCRIPTION | ASSEMBLY PART NUMBER | A | B | C | D | C | C | D | A | GCO | GCP | GCEO | GCEP | P | PS | M | CPA | 1 | 2 | 3 | 4 | STATUS | COMMENTS |
|--------------------------------------|----------------------|---|---|---|---|---|---|---|---|-----|-----|------|------|----|----|-----|-----|---|---|---|----------|----------|----------|
| KEY A W/ CPA, BLACK | 33471-0497 | | | | | | | | | | GCP | | | P | M | CPA | | | | 3 | 4 | SALEABLE | |
| KEY A W/ CPA, BLACK | 33471-0496 | | | | | | | | | | GCP | | | P | M | CPA | | 2 | 3 | 4 | SALEABLE | | |
| KEY A , BLACK | 33471-0495 | | | | | | | | | | GCP | | | P | M | | 1 | | | | | SALEABLE | |
| KEY B, LT.GRAY | 33471-0494 | | B | | | | | | | | GCP | | | P | M | | | 2 | 3 | | | SALEABLE | |
| KEY A W/ CPA, BLACK | 33471-0493 | | | | | | | | | | GCP | | | P | M | CPA | | 2 | | | | SALEABLE | |
| KEY A W/ CPA & SHRT. BAR, YELLOW | 33471-0492 | | | | | | | | A | GCO | | | | PS | M | CPA | | | | | | SALEABLE | |
| KEY A W/ CPA, YELLOW | 33471-0491 | | | | | | | | A | GCO | | | | P | M | CPA | | | | | | SALEABLE | |
| KEY A W/ CPA, BLACK | 33471-0490 | | | | | | | | | | GCP | | | P | M | CPA | | | | 3 | | SALEABLE | |
| KEY A , BLACK | 33471-0489 | | | | | | | | | | GCP | | | P | M | | | 2 | | | | SALEABLE | |
| KEY D W/ SHRT. BAR, STONE GRAY | 33471-0488 | | | | | | | | | | GCP | | | PS | M | | | | | | 4 | SALEABLE | |
| KEY D W/ SHRT. BAR, STONE GRAY | 33471-0487 | | | | | | | | D | | GCP | | | PS | M | | 1 | 2 | 3 | 4 | | SALEABLE | |
| KEY C W/ SHRT. BAR, DARK GRAY | 33471-0486 | | | | | | | | C | | GCP | | | PS | M | | 1 | 2 | 3 | 4 | | SALEABLE | |
| KEY D W/ CPA & SHRT. BAR, STONE GRAY | 33471-0485 | | | | | | | | D | GCO | | | | PS | M | CPA | | | | | | SALEABLE | |
| KEY C W/ CPA & SHRT. BAR, DARK GRAY | 33471-0484 | | | | | | | | C | GCO | | | | PS | M | CPA | | | | | | SALEABLE | |
| KEY D, STONE GRAY | 33471-0483 | | | | | | | | D | | GCP | | | P | M | | 1 | 2 | 3 | 4 | | SALEABLE | |
| KEY C, DARK GRAY | 33471-0482 | | | | | | | | C | | GCP | | | P | M | | 1 | 2 | 3 | 4 | | SALEABLE | |
| KEY D W/ SHRT. BAR, STONE GRAY | 33471-0481 | | | | | | | | D | GCO | | | | PS | M | | | | | | | SALEABLE | |

| DESCRIPTION | COLOR | MATERIAL |
|--------------------------------|--------------|--------------------------------|
| RING SEAL | BURNT ORANGE | INHERENTLY LUBRICATED SILICONE |
| CPA | BRIGHT RED | PBT GF30 |
| MAT SEAL | LIGHT BLUE | INHERENTLY LUBRICATED SILICONE |
| SHORTING BAR PLR | NATURAL | SPS/NYLON GF20 |
| STANDARD PLR | NATURAL | SPS/NYLON GF20 |
| ERGONOMIC GROMMET CAP, PLUGGED | BLACK | SPS/NYLON GF20 |
| ERGONOMIC GROMMET CAP, OPEN | BLACK | SPS/NYLON GF20 |
| STANDARD GROMMET CAP, PLUGGED | BLACK | SPS/NYLON GF20 |
| STANDARD GROMMET CAP, OPEN | BLACK | SPS/NYLON GF20 |
| HOUSING KEYING OPTION A | YELLOW | SPS/NYLON GF20 |
| HOUSING KEYING OPTION D | STONE GRAY | SPS/NYLON GF20 |
| HOUSING KEYING OPTION C | DARK GRAY | SPS/NYLON GF20 |
| HOUSING KEYING OPTION C | BLACK | SPS/NYLON GF20 |
| HOUSING KEYING OPTION D | GREEN | SPS/NYLON GF20 |
| HOUSING KEYING OPTION C | BROWN | SPS/NYLON GF20 |
| HOUSING KEYING OPTION B | LIGHT GRAY | SPS/NYLON GF20 |
| HOUSING KEYING OPTION A | BLACK | SPS/NYLON GF20 |

| ABREVIATION | COMPONENT |
|-------------|---------------------------------|
| A | HOUSING KEY A |
| B | HOUSING KEY B |
| C | HOUSING KEY C |
| D | HOUSING KEY D |
| GCO | GROMMET CAP, STANDARD, OPEN |
| GCP | GROMMET CAP, STANDARD, PLUGGED |
| GCEO | GROMMET CAP, ERGONOMIC, OPEN |
| GCEP | GROMMET CAP, ERGONOMIC, PLUGGED |
| M | MAT SEAL |
| P | PLR, STANDARD |
| PS | PLR, SHRT. BAR LIFTER |
| R | RING SEAL |
| CPA | CPA |

| | |
|--------------------|---|
| FUNCTIONAL SYMBOLS | THIS DRAWING CONTAINS INFORMATION THAT IS PROPRIETARY TO MOLEX ELECTRONIC TECHNOLOGIES, LLC AND SHOULD NOT BE USED WITHOUT WRITTEN PERMISSION |
| FA = 0 | DIMENSION UNITS: mm |
| FC = 0 | SCALE |
| FP = 0 | CURRENT REV DESC: SEE REVISION TABLE |
| DIVISIONAL SYMBOLS | GENERAL TOLERANCES (UNLESS SPECIFIED) |
| | ANGULAR TOL ± 3.0° |
| | 4 PLACES ± |
| | 3 PLACES ± |
| | 2 PLACES ± 0.1 |
| | 1 PLACE ± 0.3 |
| | 0 PLACES ± |
| | DRAFT WHERE APPLICABLE MUST REMAIN WITHIN DIMENSIONS |
| | THIRD ANGLE PROJECTION |
| | DRAWING SERIES |
| | D-SIZE 33471 |
| | EC NO: 674870 |
| | DRWN: SCV 2021/08/23 |
| | CHK'D: GGA 2021/08/27 |
| | APPR: GGA 2021/08/27 |
| | INITIAL REVISION: DRWN: DGRIFITHS 2010/03/31 |
| | APPR: VKOSHY 2010/04/06 |
| | DOCUMENT NUMBER: SD-33471-041 |
| | DOC TYPE: PSD |
| | DOC PART: 002 |
| | REVISION: W6 |
| | MATERIAL NUMBER: SEE BOM |
| | CUSTOMER: GENERAL MARKET |
| | SHEET NUMBER: 6 OF 6 |