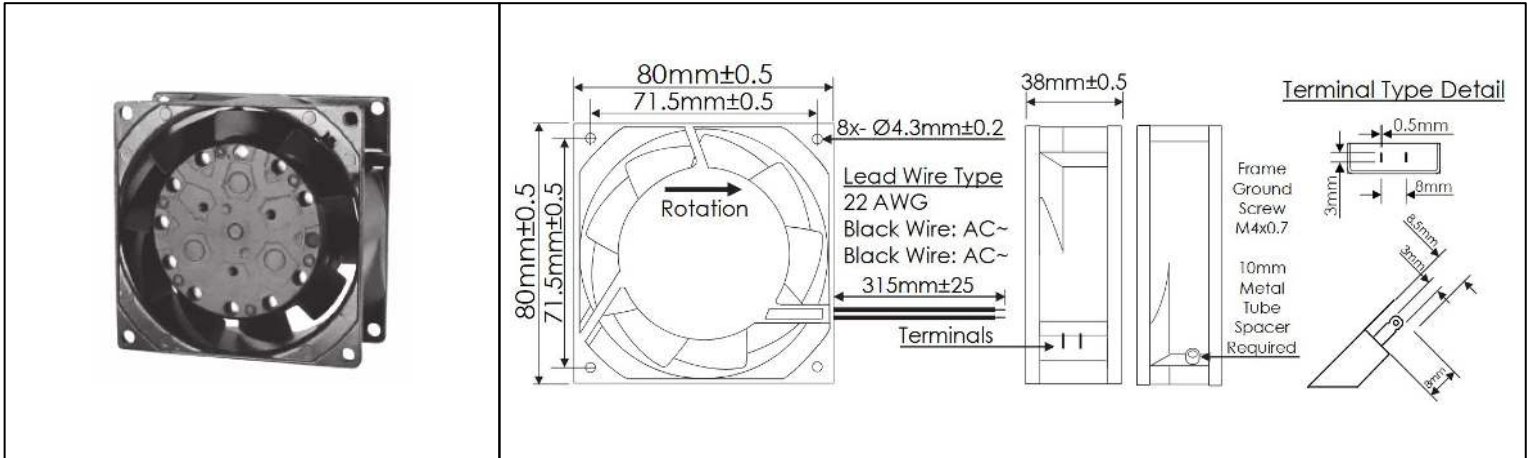


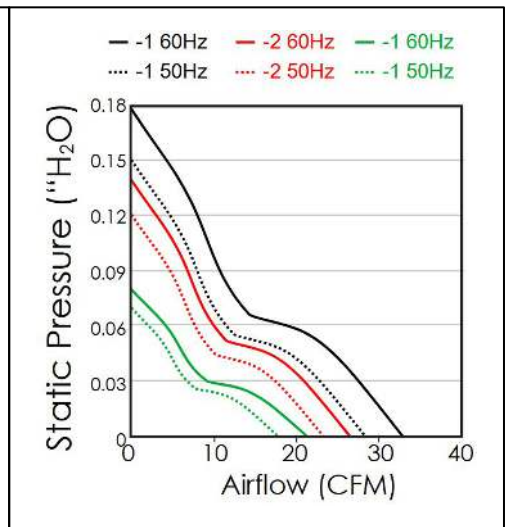
OA80AP All Metal Series



AC Fans - 115, 230V
80mm x 38mm (3.0" x 1.5")



Frame	Die Cast Aluminum, Black Finish	<u>Operating Temperature</u> -30°C ~ +80°C <u>Storage Temperature</u> -40°C ~ +100°C <u>Life Expectancy</u> 50K Hours (L10 @ 55°C) Weight: 0.95 lbs.
Impeller	Steel, Black Finish	
Connection	2x Lead Wires, 22 AWG, or Terminals	
Motor	Shaded Pole, Single Phase, Impedance Protected, IP55 Rated	
Bearing System	Ball Bearings	
Dielectric Strength	1500VAC/min, <1mA	
Insulation Resistance	≥10M Ohm @ 500 VAC	



Part Number	Rated Voltage (Volts AC)	Voltage Range (Volts AC)	Frequency (Hertz)	Input Power (Watts)	Rated Speed (RPM)	Airflow (CFM)	Noise Level (dBA)	Max. Static Pressure ("H2O)
OA80AP-11-1*B1855	115	100 ~ 125	50 / 60	15 / 13	2700 / 3200	28 / 33	33.6 / 35.3	0.15 / 0.18
OA80AP-11-2*B1855	115	100 ~ 125	50 / 60	12 / 10	2175 / 2450	23 / 26	28.6 / 30.4	0.12 / 0.14
OA80AP-11-3*B1855	115	100 ~ 125	50 / 60	8 / 6	1700 / 1875	18 / 21	20.8 / 23.1	0.07 / 0.08
OA80AP-22-1*B1855	230	200 ~ 245	50 / 60	15 / 13	2750 / 3200	28 / 33	33.6 / 35.3	0.15 / 0.18
OA80AP-22-2*B1855	230	200 ~ 245	50 / 60	12 / 10	2175 / 2450	23 / 26	28.6 / 30.4	0.12 / 0.14
OA80AP-22-3*B1855	230	200 ~ 245	50 / 60	8 / 6	1700 / 1875	18 / 21	20.8 / 23.1	0.07 / 0.08

*Insert "T" for terminal type connection, or "W" for wire lead type connection.