

A

B

C

D

E

F

A

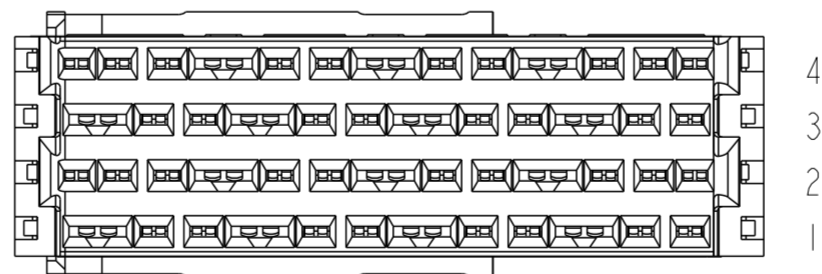
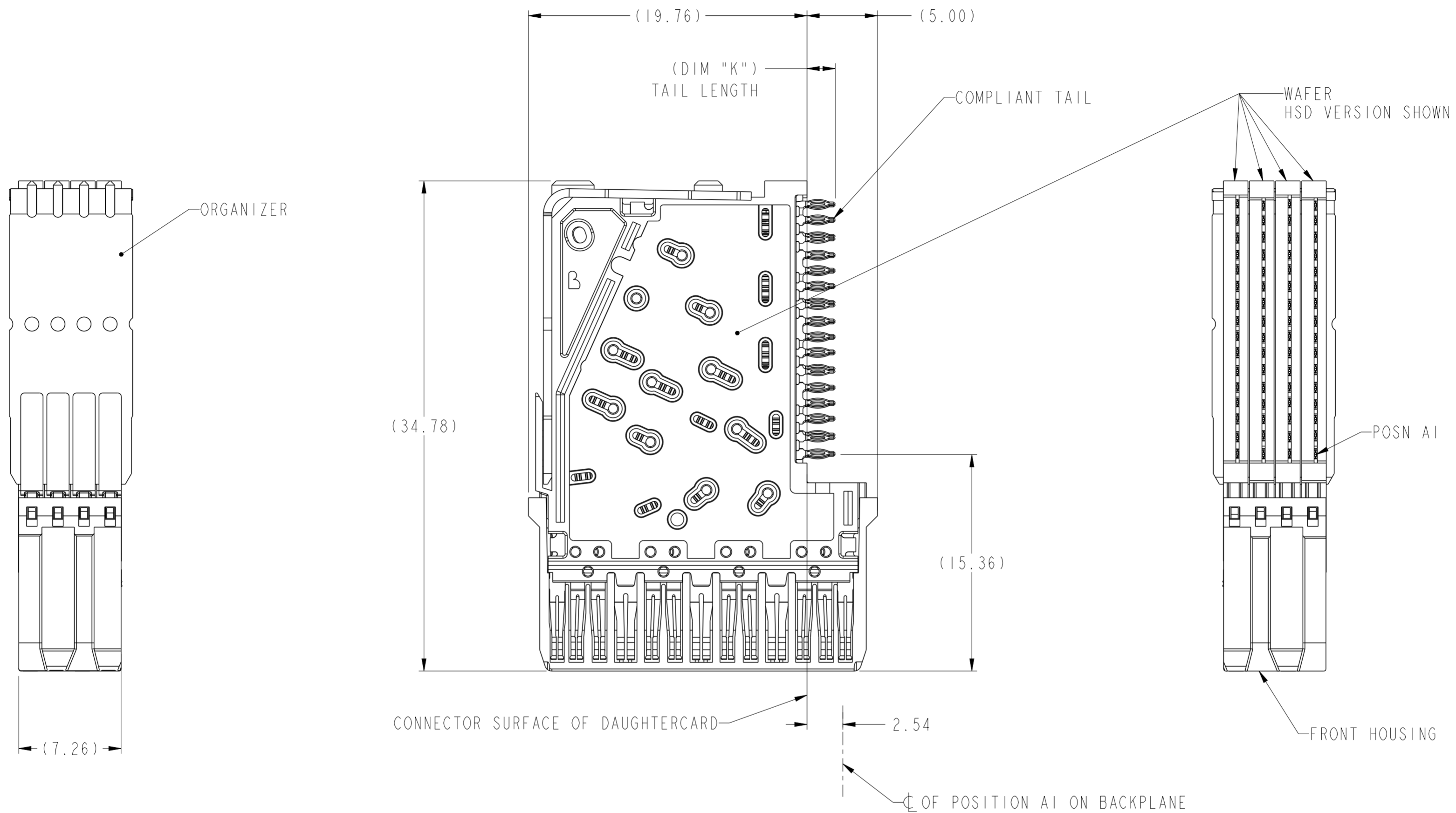
B

C

D

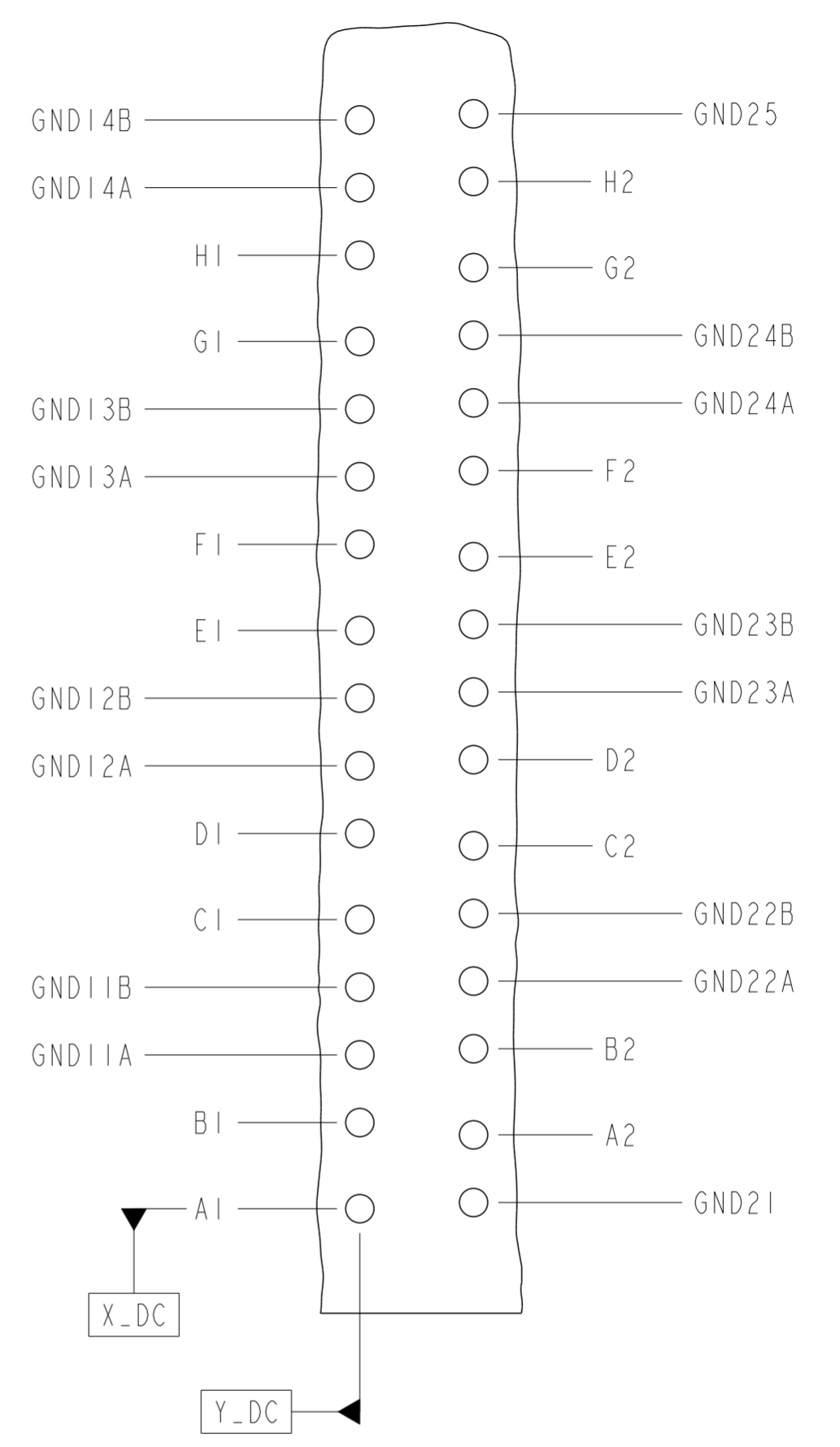
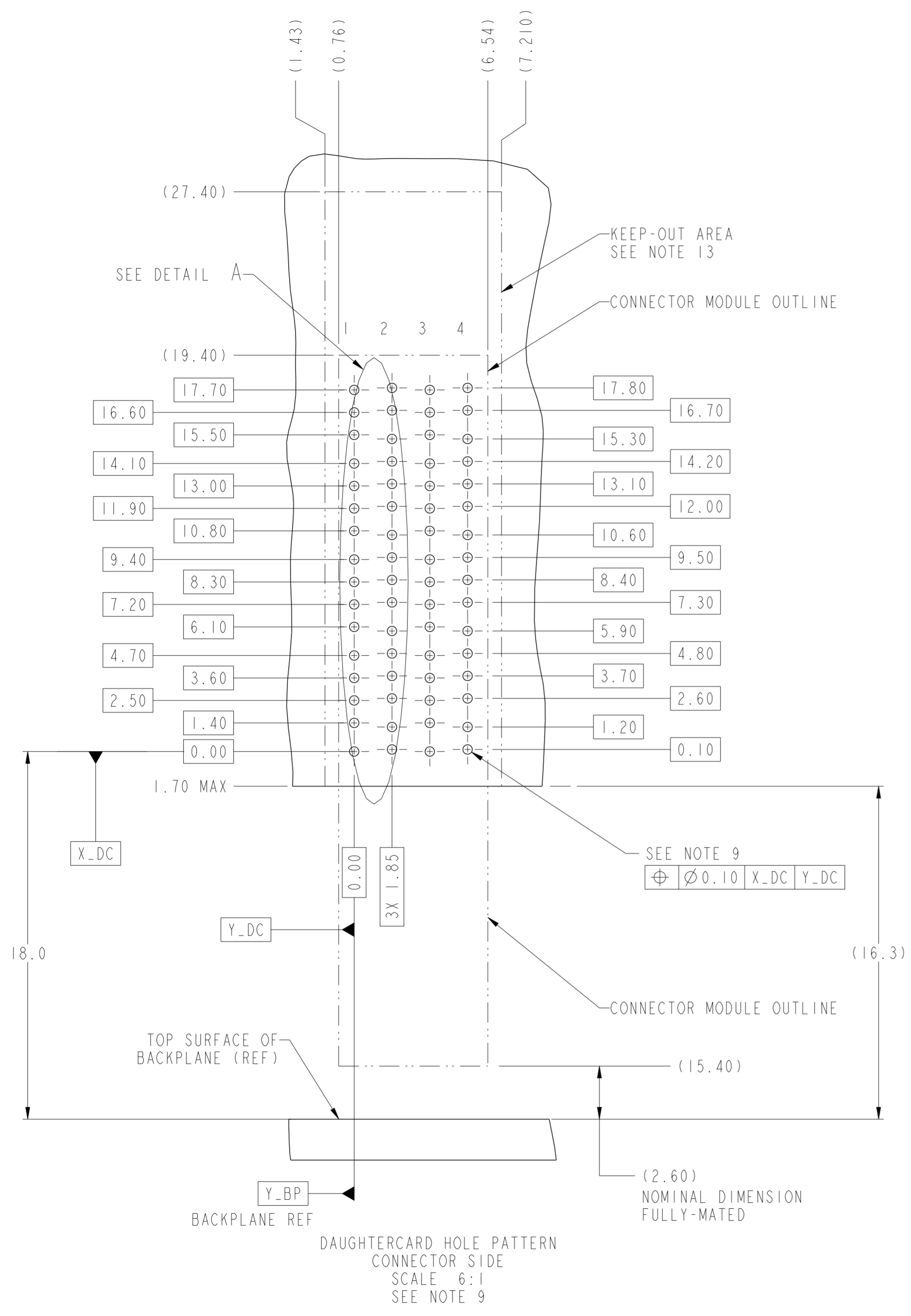
E

F



Copyright FCI.

spec ref	SEE NOTES	dr	Jim Swain	2010/04/12	projection	mm	size	A2	scale	2:1													
tolerance std	ASME Y14.5	eng	Matthew Cheong	2011/10/07		mm	ecn no	ELX-S-006502-1	rel rev	Released													
TOLERANCES UNLESS OTHERWISE SPECIFIED		chr	-	appr							Chen-Hong Tan	2011/10/07	product family	XCede									
surface	<table border="1"> <tr> <td>linear</td> <td>0.X</td> <td>±</td> </tr> <tr> <td></td> <td>0.XX</td> <td>±</td> </tr> <tr> <td></td> <td>0.XXX</td> <td>±</td> </tr> <tr> <td>angular</td> <td>0°</td> <td>±</td> </tr> </table>	linear	0.X	±		0.XX	±		0.XXX	±	angular	0°	±			title	RECEPT MODULE, RIGHT ANGLE 4 COLUMN, 4 PAIR		dwg no	10091844		rev	B
linear	0.X	±																					
	0.XX	±																					
	0.XXX	±																					
angular	0°	±																					
ASME Y14.5		www.fci.com		cat. no.	SEE PART NUMBER TABLE		Product - Customer Drw		sheet 1 of 6														



DETAIL A
SCALE 10:1
HIGH-SPEED DIFFERENTIAL PINOUT
SEE NOTE 9

spec ref	SEE NOTES	dr	Jim Swain	2010/04/12	projection	mm	size	A2	scale	2:1																		
tolerance std	TOLERANCES UNLESS OTHERWISE SPECIFIED	eng	Matthew Cheong	2011/10/07		mm	ecn no	ELX-S-006502-1	rel rev	Cf																		
ASME Y14.5		chr	-	appr							Chen-Hong Tan	2011/10/07	product family	XCede	rel rev	Cf												
surface	<table border="1"> <tr> <td>linear</td> <td>0.X</td> <td>±</td> </tr> <tr> <td></td> <td>0.XX</td> <td>±</td> </tr> <tr> <td></td> <td>0.XXX</td> <td>±</td> </tr> <tr> <td>angular</td> <td>0°</td> <td>±</td> </tr> </table>	linear	0.X	±		0.XX	±		0.XXX	±	angular	0°	±			<table border="1"> <tr> <td>title</td> <td>RECEPT MODULE, RIGHT ANGLE</td> <td>dwg no</td> <td>10091844</td> <td>rev</td> <td>B</td> </tr> <tr> <td>ASME Y14.5</td> <td>4 COLUMN, 4 PAIR</td> <td>cat. no.</td> <td>SEE PART NUMBER TABLE</td> <td>Product - Customer</td> <td>Drw</td> </tr> </table>	title	RECEPT MODULE, RIGHT ANGLE	dwg no	10091844	rev	B	ASME Y14.5	4 COLUMN, 4 PAIR	cat. no.	SEE PART NUMBER TABLE	Product - Customer	Drw
linear	0.X	±																										
	0.XX	±																										
	0.XXX	±																										
angular	0°	±																										
title	RECEPT MODULE, RIGHT ANGLE	dwg no	10091844	rev	B																							
ASME Y14.5	4 COLUMN, 4 PAIR	cat. no.	SEE PART NUMBER TABLE	Product - Customer	Drw																							
		www.fci.com		PDS: Rev :B		STATUS:Released		Printed: Oct 07, 2011																				

	1	2	3	4	5	6	7	8				
	ASSEMBLY PART NUMBER	LEAD-FREE	MODULE DESCRIPTION AND USAGE NOTES	VERSION	IMPEDANCE	COMPLIANT TAIL STYLE AND PCB DRILL DIAMETER	DIM "K" (TAIL LENGTH)	REMARKS				
A	10091844-101	NO	SEE NOTES 6 & 14	HSD	100Ω	STANDARD 0.57 (.0225")	2.0	TELECORDIA CO				
	10091844-101LF	YES										
-	10091844-111	NO	SEE NOTES 6 & 15									
	10091844-111LF	YES										
B	10091844-501	NO	SEE NOTES 6 & 14									
	10091844-501LF	YES										
	10091844-511	NO										
-	10091844-511LF	YES	SEE NOTES 6 & 15									
	10091844-102	NO						HSD	100Ω	MICRO 0.45 (.0177")	1.3	TELECORDIA CO
	10091844-102LF	YES										
-	10091844-112	NO	SEE NOTES 6 & 15									
	10091844-112LF	YES										
C	10091844-502	NO	SEE NOTES 6 & 14									
	10091844-502LF	YES										
	10091844-512	NO										
-	10091844-512LF	YES	SEE NOTES 6 & 15									
	10091844-103	NO		LC	100Ω	STANDARD 0.57 (.0225")	2.0					TELECORDIA CO
10091844-103LF	YES											
-	10091844-113	NO	SEE NOTES 6 & 15									
	10091844-113LF	YES										
D	10091844-503	NO	SEE NOTES 6 & 14									
	10091844-503LF	YES										
	10091844-513	NO										
-	10091844-513LF	YES	SEE NOTES 6 & 15									
	10091844-104	NO						LC	100Ω	MICRO 0.45 (.0177")	1.3	TELECORDIA CO
10091844-104LF	YES											
-	10091844-114	NO	SEE NOTES 6 & 15									
	10091844-114LF	YES										
E	10091844-504	NO	SEE NOTES 6 & 14									
	10091844-504LF	YES										
	10091844-514	NO										
-	10091844-514LF	YES	SEE NOTES 6 & 15									



Copyright FCI.

spec ref	SEE NOTES	dr	Jim Swain	2010/04/12	projection	mm	size	A2	scale	2:1												
tolerance std	ASME Y14.5	eng	Matthew Cheong	2011/10/07		mm	ecn no	ELX-S-006502-1	rel rev	Cf												
TOLERANCES UNLESS OTHERWISE SPECIFIED		chr	-	appr							Chen-Hong Tan	2011/10/07	product family	XCede	rel rev	Released						
surface	<table border="1"> <tr><td>linear</td><td>0.X</td><td>±-</td></tr> <tr><td></td><td>0.XX</td><td>±-</td></tr> <tr><td></td><td>0.XXX</td><td>±-</td></tr> <tr><td>angular</td><td>0°</td><td>±°</td></tr> </table>	linear	0.X	±-		0.XX	±-		0.XXX	±-	angular	0°	±°			RECEIPT MODULE, RIGHT ANGLE 4 COLUMN, 4 PAIR		title 10091844	rev B	Product - Customer Drw		
linear	0.X	±-																				
	0.XX	±-																				
	0.XXX	±-																				
angular	0°	±°																				
ASME Y14.5	www.fci.com	cat. no.	SEE PART NUMBER TABLE		sheet 3 of 6																	

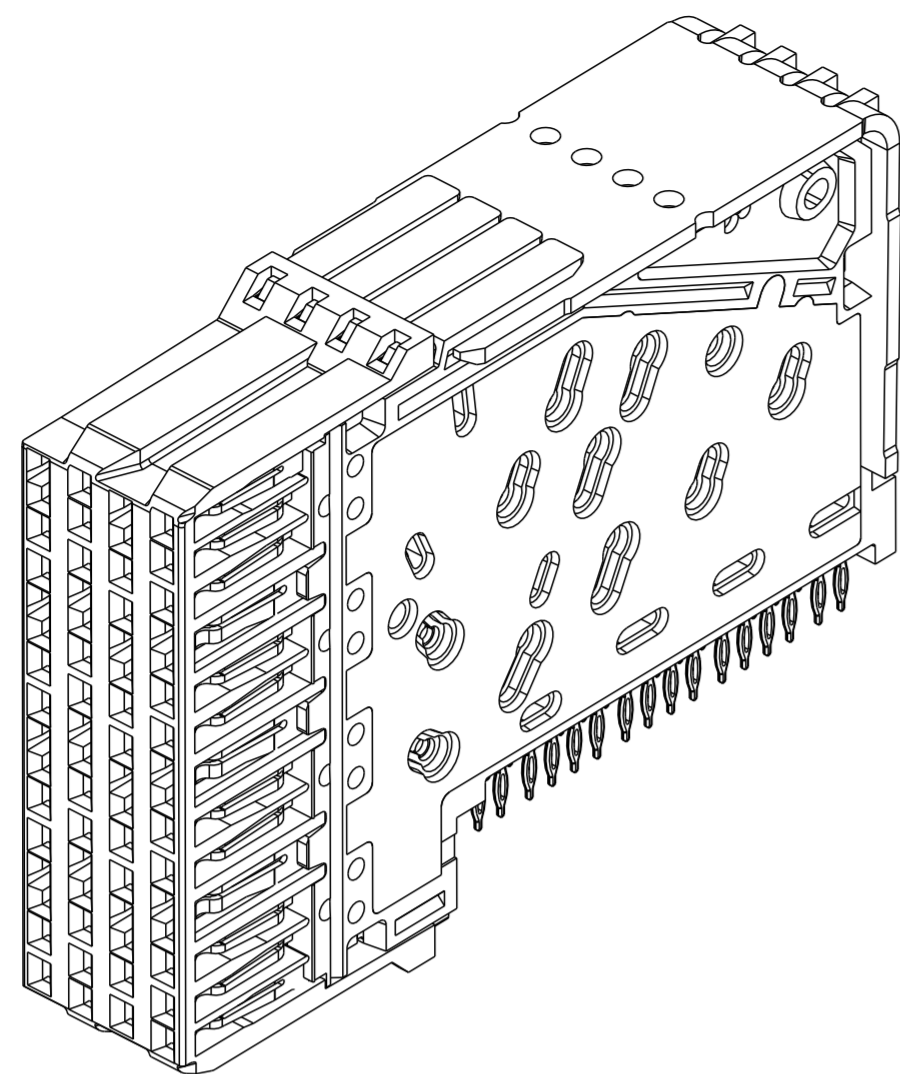
1		2		3		4		5		6		7		8	
ASSEMBLY PART NUMBER		LEAD-FREE	MODULE DESCRIPTION AND USAGE NOTES		VERSION	IMPEDANCE	COMPLIANT TAIL STYLE AND PCB DRILL DIAMETER		DIM "K" (TAIL LENGTH)	REMARKS	PCB REQUIREMENTS (SEE NOTE 11)				
											ATTRIBUTE	STANDARD TAIL	MICRO TAIL		
											DRILL SIZE	Ø0.57 (.0225")	Ø0.45 (.0177")		
											PTH	Ø0.46±0.05	Ø0.36±0.05		
											PAD SEE NOTE 8	Ø0.88	Ø0.75		
											MIN PCB THICKNESS	1.60	1.10		
A	10091844-105	NO	SEE NOTES 6 & 14		HSD	85Ω	STANDARD 0.57 (.0225")		2.0	TELECORDIA CO					
	10091844-105LF	YES													
	10091844-115	NO	SEE NOTES 6 & 15												
	10091844-115LF	YES													
	10091844-505	NO	SEE NOTES 6 & 14												
	10091844-505LF	YES													
B	10091844-515	NO	SEE NOTES 6 & 15												
	10091844-515LF	YES													
	10091844-106	NO	SEE NOTES 6 & 14		HSD	85Ω	MICRO 0.45 (.0177")		1.3	TELECORDIA CO					
	10091844-106LF	YES													
	10091844-116	NO	SEE NOTES 6 & 15												
	10091844-116LF	YES													
10091844-506	NO	SEE NOTES 6 & 14													
10091844-506LF	YES														
C	10091844-516	NO	SEE NOTES 6 & 15												
	10091844-516LF	YES													
	10091844-107	NO	SEE NOTES 6 & 14												
	10091844-107LF	YES													
	10091844-117	NO	SEE NOTES 6 & 15		LC	85Ω	STANDARD 0.57 (.0225")		2.0	TELECORDIA CO					
	10091844-117LF	YES													
10091844-507	NO	SEE NOTES 6 & 14													
10091844-507LF	YES														
10091844-517	NO	SEE NOTES 6 & 15													
10091844-517LF	YES														
D	10091844-108	NO	SEE NOTES 6 & 14												
	10091844-108LF	YES													
	10091844-118	NO	SEE NOTES 6 & 15		LC	85Ω	MICRO 0.45 (.0177")		1.3	TELECORDIA CO					
	10091844-118LF	YES													
	10091844-508	NO	SEE NOTES 6 & 14												
	10091844-508LF	YES													
10091844-518	NO	SEE NOTES 6 & 15													
10091844-518LF	YES														

PCB REQUIREMENTS (SEE NOTE 11)		
ATTRIBUTE	STANDARD TAIL	MICRO TAIL
DRILL SIZE	Ø0.57 (.0225")	Ø0.45 (.0177")
PTH	Ø0.46±0.05	Ø0.36±0.05
PAD SEE NOTE 8	Ø0.88	Ø0.75
MIN PCB THICKNESS	1.60	1.10

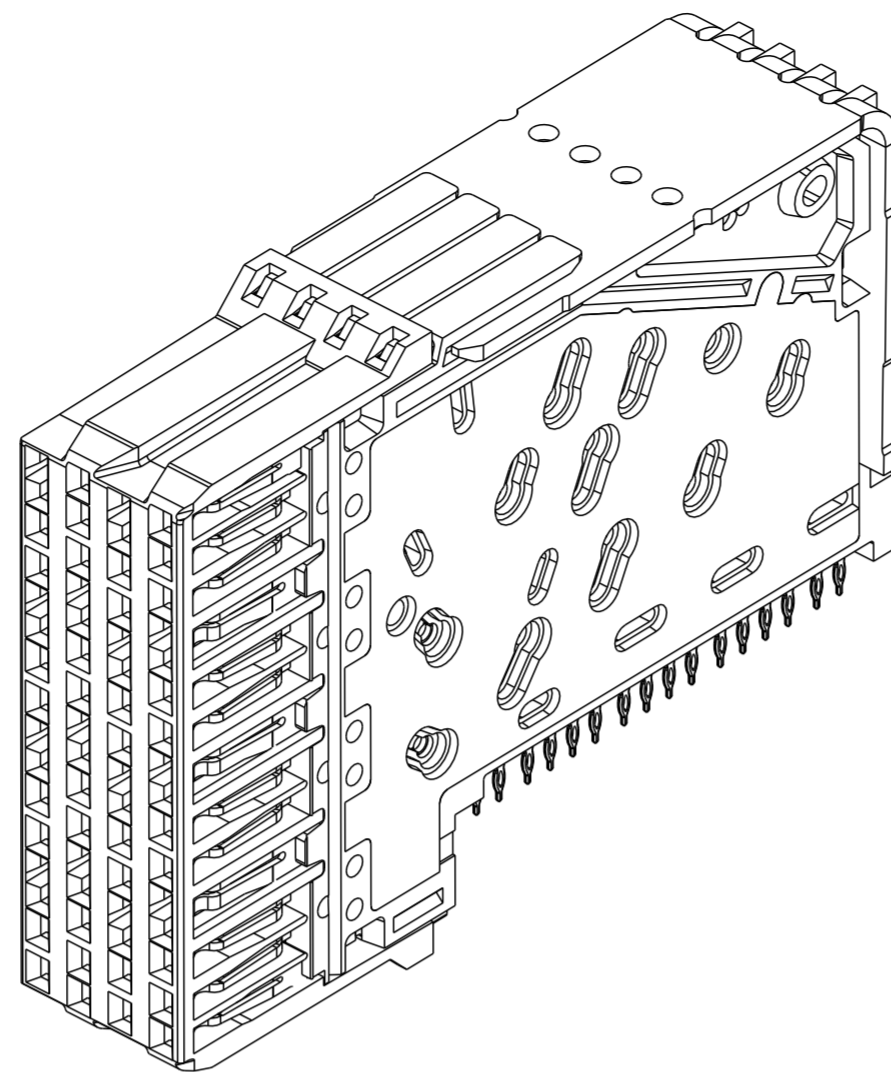


Copyright FCI.

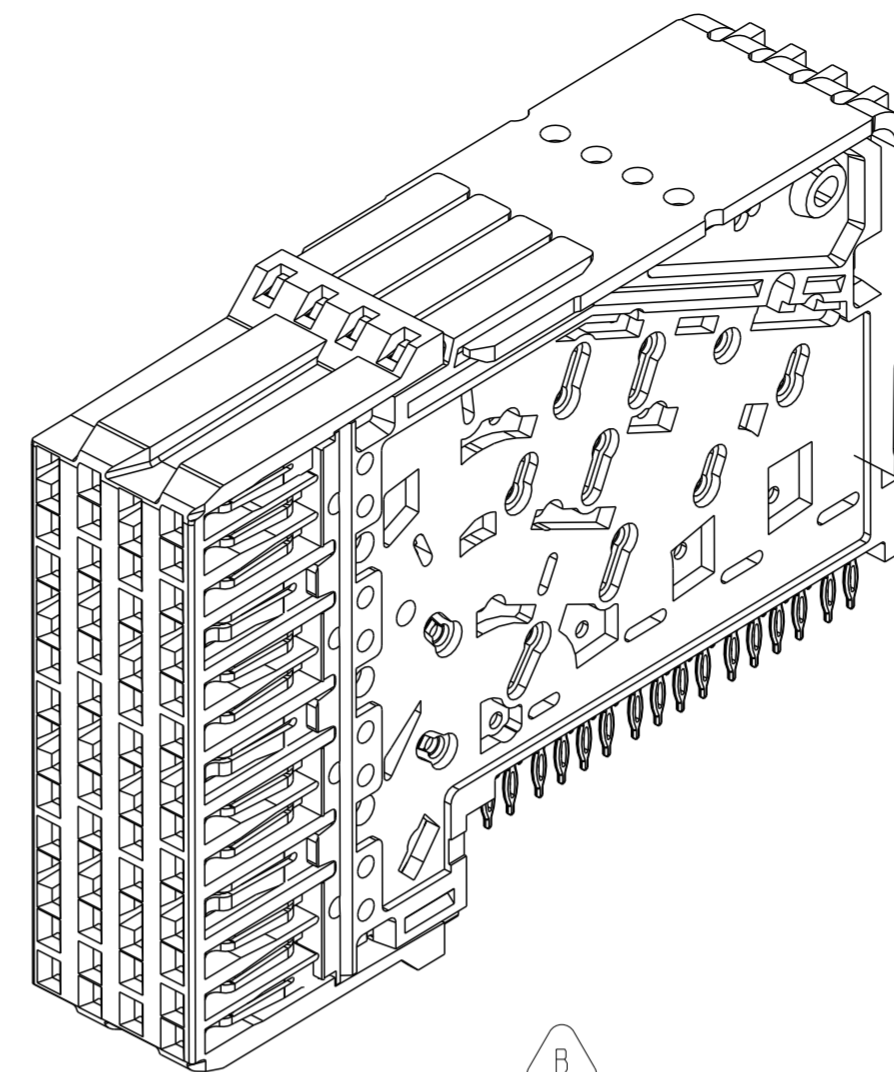
spec ref	SEE NOTES	dr	Jim Swain	2010/04/12	projection	mm	size	A2	scale	2:1													
tolerance std	TOLERANCES UNLESS OTHERWISE SPECIFIED	eng	Matthew Cheong	2011/10/07		mm	ecn no	ELX-S-006502-1	rel rev	Released													
ASME Y14.5		chr	-	2011/10/07							product family	XCede											
surface	<table border="1"> <tr><td>linear</td><td>0.X</td><td>±-</td></tr> <tr><td></td><td>0.XX</td><td>±-</td></tr> <tr><td></td><td>0.XXX</td><td>±-</td></tr> <tr><td>angular</td><td>0°</td><td>±°</td></tr> </table>	linear	0.X	±-		0.XX	±-		0.XXX	±-	angular	0°	±°	apppr	Chen-Hong Tan	2011/10/07	FCI	title	RECEPT MODULE, RIGHT ANGLE 4 COLUMN, 4 PAIR	dwg no	10091844	rev	B
linear	0.X	±-																					
	0.XX	±-																					
	0.XXX	±-																					
angular	0°	±°																					
ASME Y14.5		www.fci.com	cat. no.	SEE PART NUMBER TABLE	Product - Customer Drw	sheet 4 of 6																	



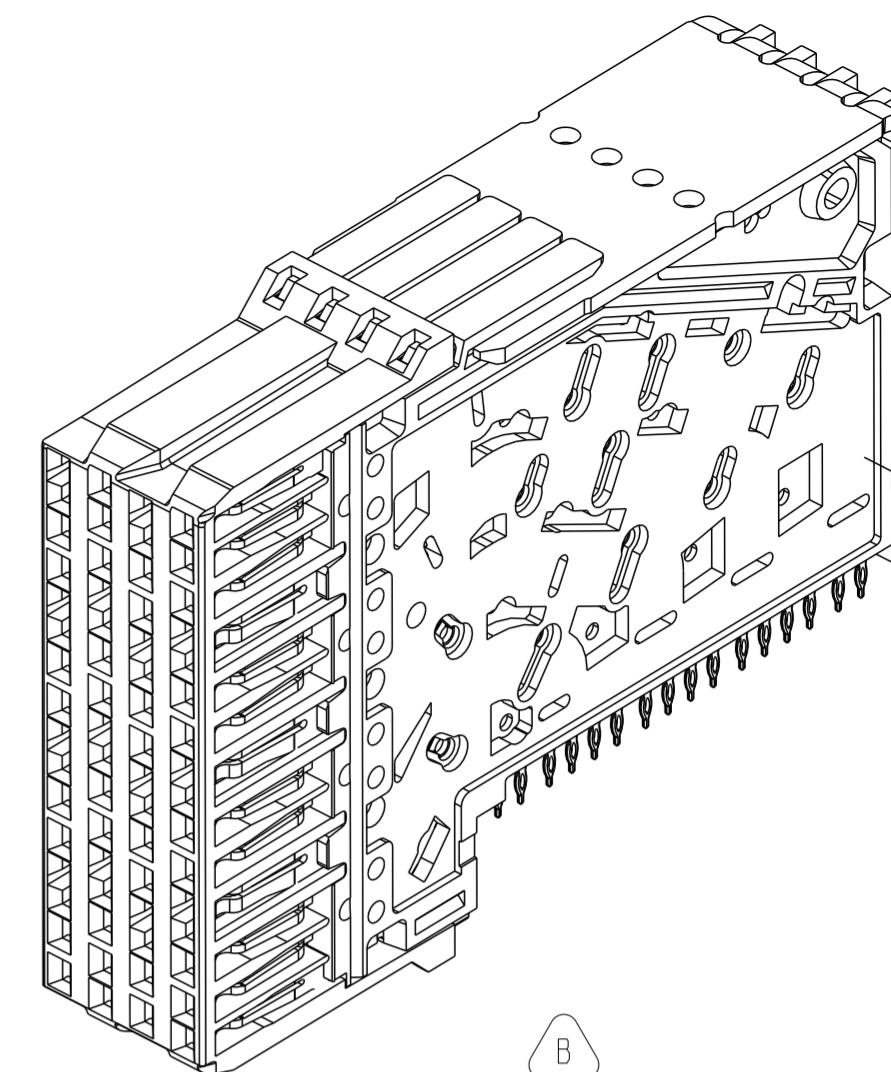
10091844-X01 & -X05
HSD / 100Ω & 85Ω / STD EON
SEE NOTE 14



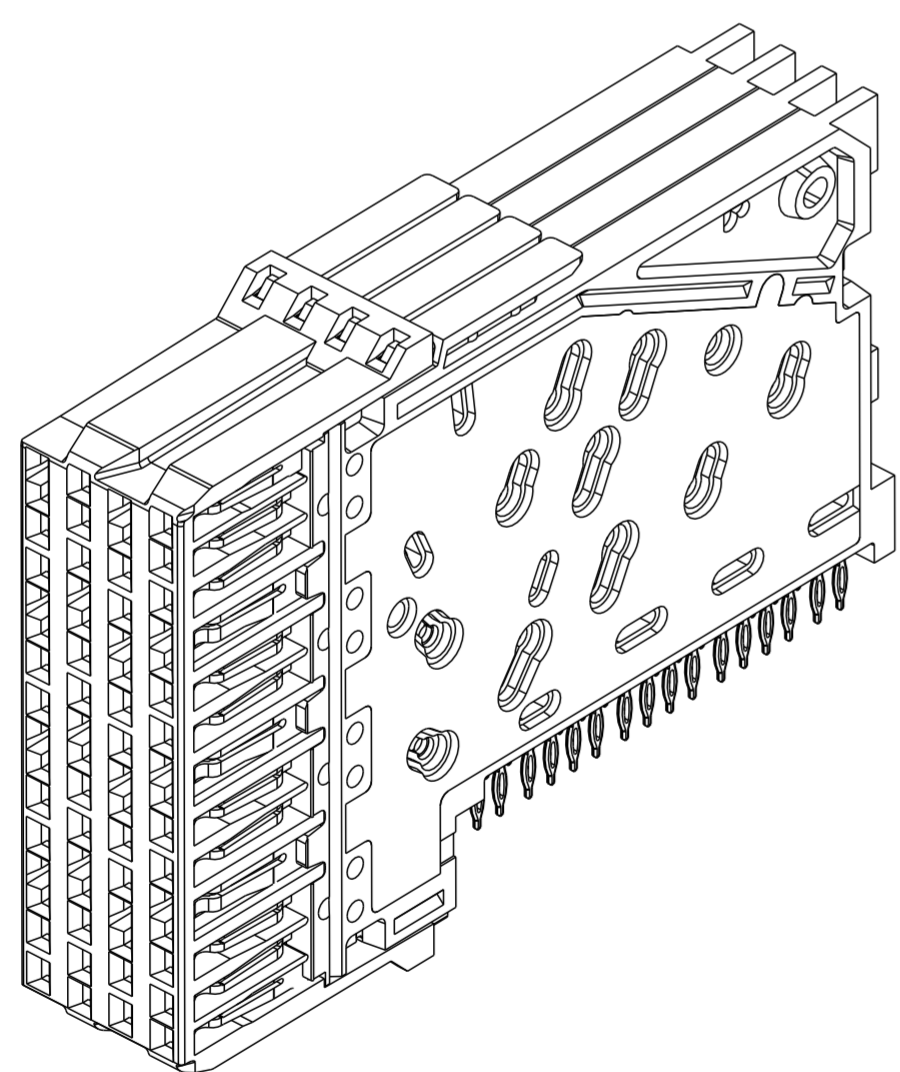
10091844-X02 & X06
HSD / 100Ω & 85Ω / MICRO EON
SEE NOTE 14



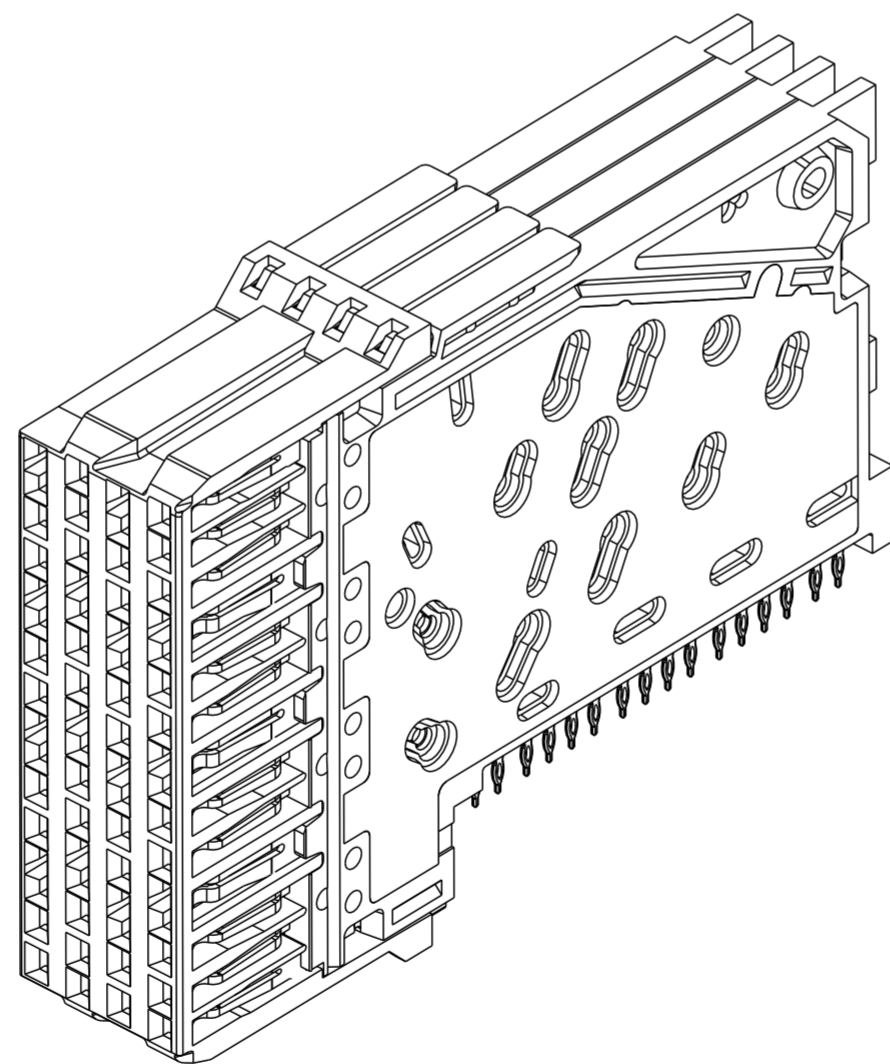
10091844-X03 & -X07
LC / 100Ω & 85Ω / STD EON
SEE NOTE 14



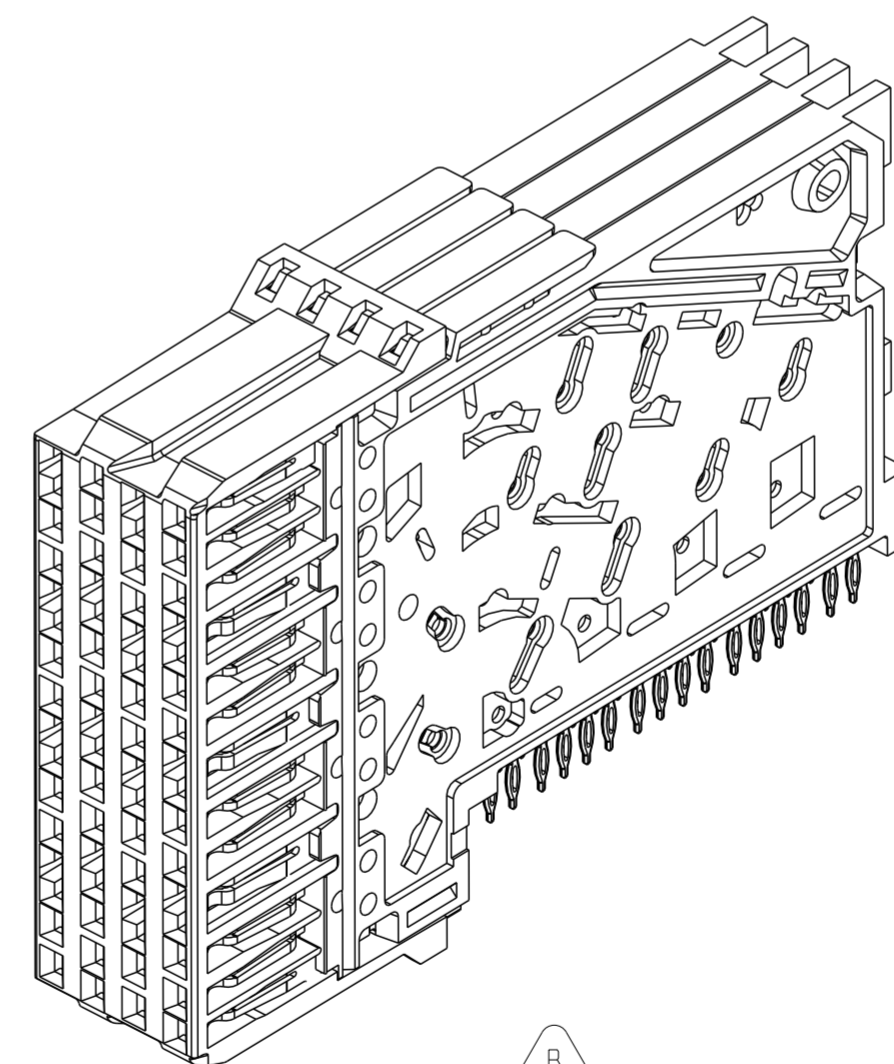
10091844-X04 & -X08
LC / 100Ω & 85Ω / MICRO EON
SEE NOTE 14



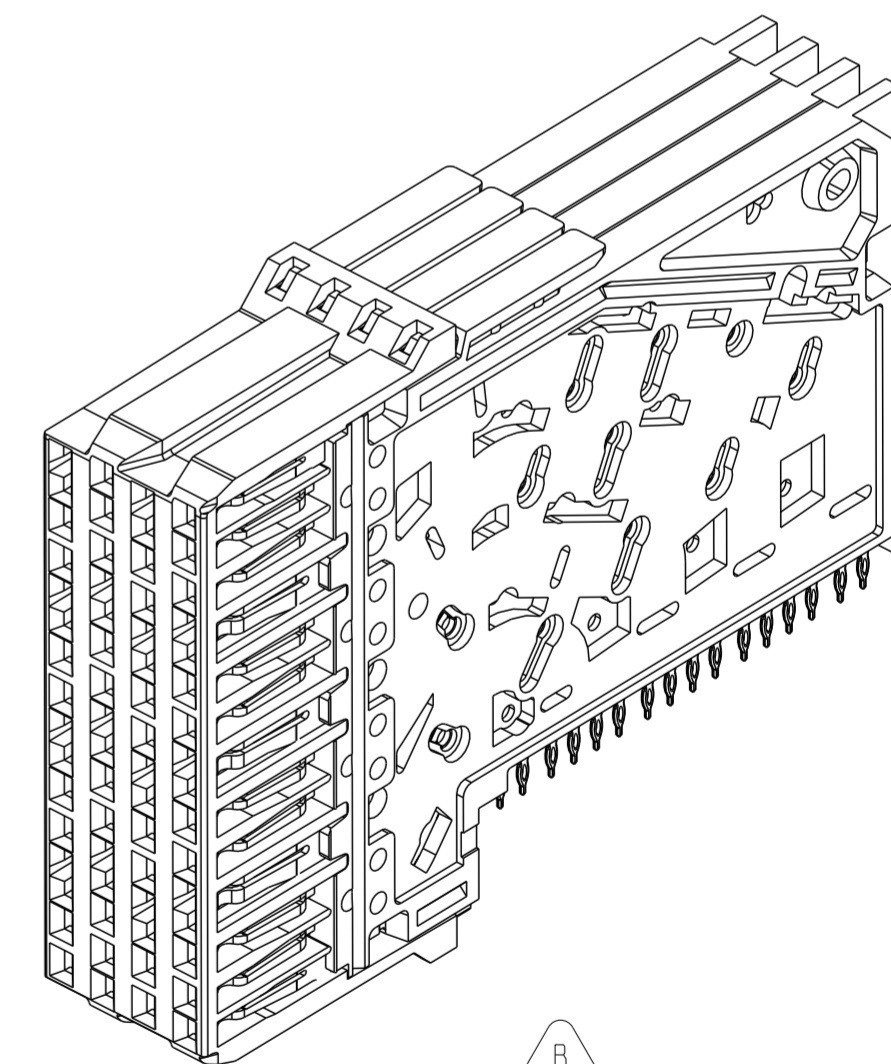
10091844-X11 & -X15
HSD / 100Ω & 85Ω / STD EON
SEE NOTE 15



10091844-X12 & X16
HSD / 100Ω & 85Ω / MICRO EON
SEE NOTE 15



10091844-X13 & -X17
LC / 100Ω & 85Ω / STD EON
SEE NOTE 15



10091844-X14 & -X18
LC / 100Ω & 85Ω / MICRO EON
SEE NOTE 15



Copyright FCI.

spec ref	SEE NOTES	dr	Jim Swain	2010/04/12	projection	mm	size	A2	scale	4:1									
tolerance std	TOLERANCES UNLESS OTHERWISE SPECIFIED	eng	Matthew Cheong	2011/10/07			ecn no	ELX-S-006502-1	rel lev	Released									
ASME Y14.5		chr	-	apppr							Chen-Hong Tan	2011/10/07	product family	XCede					
surface	<table border="1"> <tr> <td>linear</td> <td>0.X</td> <td>±</td> </tr> <tr> <td></td> <td>0.XX</td> <td>±</td> </tr> <tr> <td></td> <td>0.XXX</td> <td>±</td> </tr> <tr> <td>ASME Y14.5</td> <td>angular</td> <td>0°</td> <td>±</td> </tr> </table>	linear	0.X	±		0.XX	±		0.XXX	±	ASME Y14.5	angular	0°	±		RECEPT MODULE, RIGHT ANGLE 4 COLUMN, 4 PAIR		cat. no. SEE PART NUMBER TABLE Product - Customer Draw	sheet 5 of 6
linear	0.X	±																	
	0.XX	±																	
	0.XXX	±																	
ASME Y14.5	angular	0°	±																

NOTES:

1. CONNECTOR MATERIALS:

HOUSING: THERMOPLASTIC, GRAY, UL 94V-0
 WAFERS: THERMOPLASTIC, GRAY, UL 94V-0
 CONTACTS: HIGH-PERFORMANCE COPPER ALLOY
 ORGANIZER: STAINLESS STEEL

2. CONTACT PLATING:

SEPARABLE INTERFACE: PERFORMANCE-BASED PLATING, QUALIFIED TO MEET THE REQUIREMENTS OF FCI PRODUCT SPECIFICATION GS-12-588, INCLUDING THE TELCORDIA GR-1217-CORE (ISSUE 2, DEC 2008) CENTRAL OFFICE TEST SEQUENCE.

PRESS-FIT TAILS: TIN-LEAD ALLOY OVER NICKEL OR TIN OVER NICKEL (LEAD FREE) AS NOTED. SEE "LEAD-FREE" COLUMN IN P/N TABLE.

3. PRODUCT SPECIFICATION: GS-12-588

4. APPLICATION SPECIFICATION: GS-20-121

5. PRODUCT MARKING: APPLIED TO CUSTOM MONOBLOCK ASSEMBLY

6. XCede® MODULES ARE DESIGNED TO BE STACKED INTO A MONOBLOCK ASSEMBLY, JOINED TOGETHER BY A COMMON STAMPED METAL ORGANIZER. INDIVIDUALLY ASSEMBLED MODULES ARE OFFERED FOR PURPOSES OF SAMPLING AND INITIAL DESIGN-IN EVALUATION AS IDENTIFIED IN THE PART NUMBER TABLE.

7. DRAWING IS INTENDED FOR LAYOUT PURPOSES ONLY.

8. STATED PAD SIZE MAY REQUIRE FILLETING. REFER TO FCI APPLICATION SPECIFICATION FOR ROUTING GUIDELINES.

9. SEE PCB REQUIREMENTS TABLE AND FCI APPLICATION SPECIFICATION GS-20-121 FOR PCB HOLE SPECIFICATIONS AND ROUTING GUIDELINES.

10. LEAD-FREE PRODUCT MEETS THE EUROPEAN UNION DIRECTIVES AND OTHER COUNTRY REGULATIONS AS DESCRIBED IN FCI SPECIFICATION GS-22-008.

11. REQUIREMENTS APPLY TO THE MAJORITY OF PCB FINISHES. SEE APPLICATION SPECIFICATION GS-20-121 FOR ADDITIONAL DETAILS AND EXCEPTIONS FOR LEAD-FREE HASL AND IMMERSION SILVER FINISHES.

12. PACKAGING MEETS FCI SPECIFICATION GS-14-920 FOR LEAD-FREE LABELING.

13. THE SPECIFIED KEEP-OUT AREA IS REQUIRED FOR CONNECTOR REPAIRABILITY.

14. INDIVIDUAL MODULE ASSEMBLIES INCLUDING ASSEMBLED METAL ORGANIZER. THESE MODULES ARE TO BE USED FOR SAMPLING AND INITIAL EVALUATION ONLY. REF NOTE 6.

15. INDIVIDUAL MODULES TO BE SPECIFIED AND USED IN CUSTOM MONOBLOCK CONFIGURATIONS. REFERENCE NOTE 6 AND FCI APPLICATION SPECIFICATION FOR ADDITIONAL CONFIGURATION GUIDELINES AND INFORMATION.

16. A ^B SYMBOL WILL BE NEXT TO ANY DIMENSION, VIEW OR NOTES WHICH HAS BEEN MODIFIED WITH THE CURRENT DRAWING REVISION.

Copyright FCI. FCI

spec ref	SEE NOTES	dr	Jim Swain	2010/04/12	projection	mm	size	A2	scale	2:1	
tolerance std	TOLERANCES UNLESS OTHERWISE SPECIFIED	eng	Matthew Cheong	2011/10/07		mm	ecn no	ELX-S-006502-1	rel rev	Released	
ASME Y14.5		chr	-	2011/10/07							
surface	linear	appr	Chen-Hong Tan	2011/10/07	product family	XCede	rel rev	CF			
ASME Y14.5	angular										
	0.X	±									
	0.XX	±									
	0.XXX	±									
	0°	±									
				title		RECEPT MODULE, RIGHT ANGLE		dwg no		10091844	
		www.fci.com		cat. no.		SEE PART NUMBER TABLE		Product - Customer Drw		sheet 6 of 6	
				PDS: Rev :B		STATUS:Released		Printed: Oct 07, 2011			