

## LM117QML 3-Terminal Adjustable Regulator

Check for Samples: [LM117QML](#), [LM117QML-SP](#)

### FEATURES

- Available with Radiation Ensured
  - High Dose Rate 100 krad(Si)
  - ELDRS Free 100 krad(Si)
- Specified max. 0.3% Load Regulation (LM117)
- Specified 0.5A or 1.5A Output Current
- Adjustable Output Down to 1.2V
- Current Limit Constant with Temperature
- 80 dB Ripple Rejection
- Output is Short-Circuit Protected

### DESCRIPTION

The LM117 series of adjustable 3-terminal positive voltage regulators is capable of supplying either 0.5A or 1.5A over a 1.2V to 37V output range. They are exceptionally easy to use and require only two external resistors to set the output voltage. Further, both line and load regulation are better than standard fixed regulators.

In addition to higher performance than fixed regulators, the LM117 series offers full overload protection available only in IC's. Included on the chip are current limit, thermal overload protection and safe area protection. All overload protection circuitry remains fully functional even if the adjustment terminal is disconnected.

Normally, no capacitors are needed unless the device is situated more than 6 inches from the input filter capacitors in which case an input bypass is needed. An optional output capacitor can be added to improve transient response. The adjustment terminal can be bypassed to achieve very high ripple rejection ratios which are difficult to achieve with standard 3-terminal regulators.

Besides replacing fixed regulators, the LM117 is useful in a wide variety of other applications. Since the regulator is "floating" and sees only the input-to-output differential voltage, supplies of several hundred volts can be regulated as long as the maximum input to output differential is not exceeded, i.e., avoid short-circuiting the output.

Also, it makes an especially simple adjustable switching regulator, a programmable output regulator, or by connecting a fixed resistor between the adjustment pin and output, the LM117 can be used as a precision current regulator. Supplies with electronic shutdown can be achieved by clamping the adjustment terminal to ground which programs the output to 1.2V where most loads draw little current.

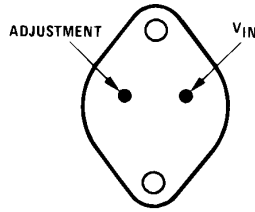
For the negative complement, see LM137 series data sheet.



Please be aware that an important notice concerning availability, standard warranty, and use in critical applications of Texas Instruments semiconductor products and disclaimers thereto appears at the end of this data sheet.

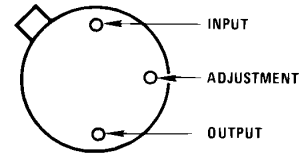
All trademarks are the property of their respective owners.

**CONNECTION DIAGRAMS**



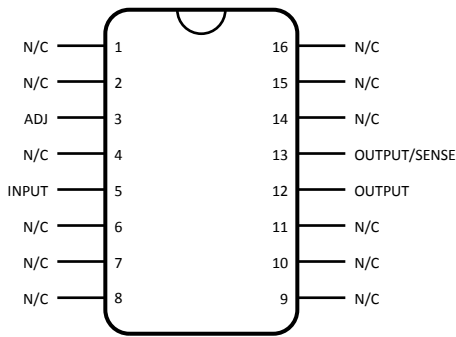
CASE IS OUTPUT

**Figure 1. 2-Pin TO Metal Can Package Bottom View See K Package**



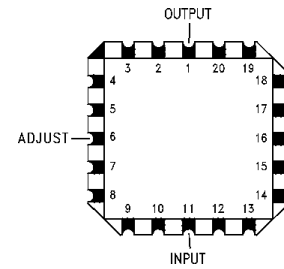
CASE IS OUTPUT

**Figure 2. 3-Pin PFM Metal Can Package Bottom View See NDT0003A Package**



For the Ceramic SOIC device to function properly, the "Output" and "Output/Sense" pins must be connected on the users printed circuit board.

**Figure 3. 16-Pin CFP Top View**

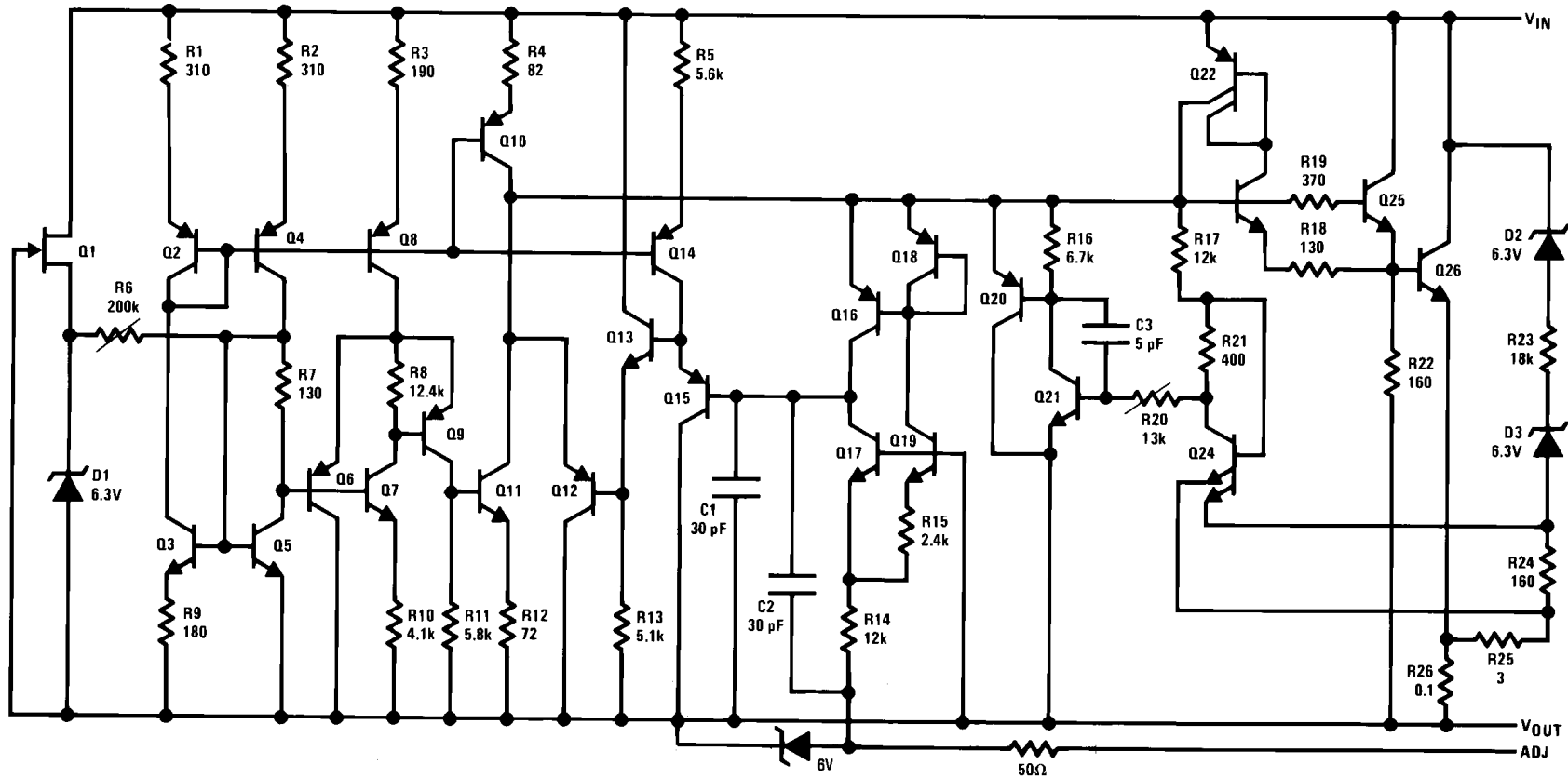


**Figure 4. 20-Pin LCCC Top View See NAJ0020A Package**

**Table 1. LM117 Series Packages**

Part Number Suffix	Package	Design Load Current
K	TO	1.5A
H	PFM	0.5A
WG, GW	CFP	0.5A
E	LCCC	0.5A

Schematic Diagram





These devices have limited built-in ESD protection. The leads should be shorted together or the device placed in conductive foam during storage or handling to prevent electrostatic damage to the MOS gates.

### Absolute Maximum Ratings<sup>(1)</sup>

Power Dissipation <sup>(2)</sup>			Internally Limited
Input-Output Voltage Differential			+40V, -0.3V
Storage Temperature			-65°C ≤ T <sub>A</sub> ≤ +150°C
Maximum Junction Temperature (T <sub>Jmax</sub> )			+150°C
Lead Temperature Metal Package			300°C
Thermal Resistance	θ <sub>JA</sub>	T0 Still Air	39°C/W
		T0 500LF/Min Air flow	14°C/W
		PFM Still Air	186°C/W
		PFM 500LF/Min Air flow	64°C/W
		CFP "WG" (device 03, 05) Still Air	115°C/W
		CFP "WG" (device 03, 05) 500LF/Min Air flow	66°C/W
		CFP "GW" (device 06, 07) Still Air	130°C/W
		CFP "GW" (device 06, 07) 500LF/Min Air flow	80°C/W
		LCCC Still Air	88°C/W
		LCCC 500LF/Min Air flow	62°C/W
	θ <sub>JC</sub>	T0	1.9°C/W
		PFM Metal Can	21°C/W
		CFP "WG" (device 03, 05) <sup>(3)</sup>	3.4°C/W
		CFP "GW" (device 06, 07)	7°C/W
LCCC		12°C/W	
Package Weight	PFM Metal Can	960mg	
	CFP "WG" (device 03, 05)	365mg	
	CFP "GW" (device 06, 07)	410mg	
ESD Tolerance <sup>(4)</sup>			3KV

- (1) Absolute Maximum Ratings indicate limits beyond which damage to the device may occur. Operating Ratings indicate conditions for which the device is functional, but do not ensure specific performance limits. For ensured specifications and test conditions, see the Electrical Characteristics. The ensured specifications apply only for the test conditions listed. Some performance characteristics may degrade when the device is not operated under the listed test conditions.
- (2) The maximum power dissipation must be derated at elevated temperatures and is dictated by T<sub>Jmax</sub> (maximum junction temperature), θ<sub>JA</sub> (package junction to ambient thermal resistance), and T<sub>A</sub> (ambient temperature). The maximum allowable power dissipation at any temperature is P<sub>Dmax</sub> = (T<sub>Jmax</sub> - T<sub>A</sub>)/θ<sub>JA</sub> or the number given in the Absolute Maximum Ratings, whichever is lower. "Although power dissipation is internally limited, these specifications are applicable for power dissipations of 2W for the PFM, LCCC, and CFP packages, and 20W for the TO package."
- (3) The package material for these devices allows much improved heat transfer over our standard ceramic packages. In order to take full advantage of this improved heat transfer, heat sinking must be provided between the package base (directly beneath the die), and either metal traces on, or thermal vias through, the printed circuit board. Without this additional heat sinking, device power dissipation must be calculated using θ<sub>JA</sub>, rather than θ<sub>JC</sub>, thermal resistance. It must not be assumed that the device leads will provide substantial heat transfer out the package, since the thermal resistance of the leadframe material is very poor, relative to the material of the package base. The stated θ<sub>JC</sub> thermal resistance is for the package material only, and does not account for the additional thermal resistance between the package base and the printed circuit board. The user must determine the value of the additional thermal resistance and must combine this with the stated value for the package, to calculate the total allowed power dissipation for the device.
- (4) Human body model, 100 pF discharged through a 1.5 kΩ resistor.

### Recommended Operating Conditions

Operating Temperature Range	-55°C ≤ T <sub>A</sub> ≤ +125°C
Input Voltage Range	4.25V to 41.25V

**Table 2. Quality Conformance Inspection**

MIL-STD-883, Method 5005 - Group A		
Subgroup	Description	Temp (°C)
1	Static tests at	+25
2	Static tests at	+125
3	Static tests at	-55
4	Dynamic tests at	+25
5	Dynamic tests at	+125
6	Dynamic tests at	-55
7	Functional tests at	+25
8A	Functional tests at	+125
8B	Functional tests at	-55
9	Switching tests at	+25
10	Switching tests at	+125
11	Switching tests at	-55
12	Settling time at	+25
13	Settling time at	+125
14	Settling time at	-55

**LM117H & LM117WG Electrical Characteristics  
DC Parameters**

 The following conditions apply, unless otherwise specified.  $V_{Diff} = (V_I - V_O)$ ,  $I_L = 8mA$ 

Symbol	Parameter	Conditions	Notes	Min	Max	Unit	Sub-groups
$I_{Adj}$	Adjustment Pin Current	$V_{Diff} = 3V$			100	$\mu A$	1
		$V_{Diff} = 3.3V$			100	$\mu A$	2, 3
		$V_{Diff} = 40V$			100	$\mu A$	1, 2, 3
$I_Q$	Minimum Load Current	$V_{Diff} = 3V, V_O = 1.7V$			5.0	mA	1
		$V_{Diff} = 3.3V, V_O = 1.7V$			5.0	mA	2, 3
		$V_{Diff} = 40V, V_O = 1.7V$			5.0	mA	1, 2, 3
$V_{Ref}$	Reference Voltage	$V_{Diff} = 3V$		1.2	1.3	V	1
		$V_{Diff} = 3.3V$		1.2	1.3	V	2, 3
		$V_{Diff} = 40V$		1.2	1.3	V	1, 2, 3
$V_{RLine}$	Line Regulation	$3V \leq V_{Diff} \leq 40V,$ $V_O = 1.2V$		-8.9	8.9	mV	1
		$3.3V \leq V_{Diff} \leq 40V,$ $V_O = 1.2V$		-22.2	22.2	mV	2, 3
$V_{RLoad}$	Load Regulation	$V_{Diff} = 3V,$ $I_L = 10mA$ to 500mA		-15	15	mV	1
		$V_{Diff} = 3.3V,$ $I_L = 10mA$ to 500mA		-15	15	mV	2, 3
		$V_{Diff} = 40V,$ $I_L = 10mA$ to 150mA		-15	15	mV	1
		$V_{Diff} = 40V,$ $I_L = 10mA$ to 100mA		-15	15	mV	2, 3
$\Delta I_{Adj} / Load$	Adjustment Current Change	$V_{Diff} = 3V,$ $I_L = 10mA$ to 500mA		-5.0	5.0	$\mu A$	1
		$V_{Diff} = 3.3V,$ $I_L = 10mA$ to 500mA		-5.0	5.0	$\mu A$	2, 3
		$V_{Diff} = 40V,$ $I_L = 10mA$ to 150mA		-5.0	5.0	$\mu A$	1
		$V_{Diff} = 40V,$ $I_L = 10mA$ to 100mA		-5.0	5.0	$\mu A$	2, 3

## LM117H & LM117WG Electrical Characteristics DC Parameters (continued)

The following conditions apply, unless otherwise specified.  $V_{Ddiff} = (V_I - V_O)$ ,  $I_L = 8mA$

Symbol	Parameter	Conditions	Notes	Min	Max	Unit	Sub-groups
$\Delta I_{Adj}$ / Line	Adjustment Current Change	$3V \leq V_{Ddiff} \leq 40V$		-5.0	5.0	$\mu A$	1
		$3.3V \leq V_{Ddiff} \leq 40V$		-5.0	5.0	$\mu A$	2, 3
$I_{OS}$	Short Circuit Current	$V_{Ddiff} = 10V$		0.45	1.6	A	1
$\theta_R$	Thermal Regulation	$T_A = 25^\circ C$ , $t = 20mS$ , $V_{Ddiff} = 40V$ , $I_L = 150mA$		-6.0	6.0	mV	1
$I_{CL}$	Current Limit	$V_{Ddiff} \leq 15V$	See <sup>(1)</sup>	0.5		A	1, 2, 3
		$V_{Ddiff} = 40V$	See <sup>(1)</sup>	0.15		A	1

(1) Specified parameter, not tested.

## LM117H & LM117WG Electrical Characteristics AC Parameters

Symbol	Parameter	Conditions	Notes	Min	Max	Unit	Sub-groups
RR	Ripple Rejection	$V_I = +6.25V$ , $V_O = V_{Ref}$ , $f = 120Hz$ , $e_i = 1V_{RMS}$ , $I_L = 125mA$	See <sup>(1)</sup>	66		dB	4, 5, 6

(1) Tested @ 25°C; specified, but not tested @ 125°C & -55°C

## LM117K Electrical Characteristics DC Parameters

The following conditions apply, unless otherwise specified.  $V_{Ddiff} = (V_I - V_O)$ ,  $I_L = 10mA$

Symbol	Parameter	Conditions	Notes	Min	Max	Unit	Sub-groups
$I_{Adj}$	Adjustment Pin Current	$V_{Ddiff} = 3V$			100	$\mu A$	1
		$V_{Ddiff} = 3.3V$			100	$\mu A$	2, 3
		$V_{Ddiff} = 40V$			100	$\mu A$	1, 2, 3
$I_Q$	Minimum Load Current	$V_{Ddiff} = 3V$ , $V_O = 1.7V$			5.0	mA	1
		$V_{Ddiff} = 3.3V$ , $V_O = 1.7V$			5.0	mA	2, 3
		$V_{Ddiff} = 40V$ , $V_O = 1.7V$			5.0	mA	1, 2, 3
$V_{Ref}$	Reference Voltage	$V_{Ddiff} = 3V$		1.2	1.3	V	1
		$V_{Ddiff} = 3.3V$		1.2	1.3	V	2, 3
		$V_{Ddiff} = 40V$		1.2	1.3	V	1, 2, 3
$V_{RLine}$	Line Regulation	$3V \leq V_{Ddiff} \leq 40V$ , $V_O = 1.2V$		-8.9	8.9	mV	1
		$3.3V \leq V_{Ddiff} \leq 40V$ , $V_O = 1.2V$		-22.2	22.2	mV	2, 3
$V_{RLoad}$	Load Regulation	$V_{Ddiff} = 3V$ , $I_L = 10mA$ to 1.5A		-15	15	mV	1
		$V_{Ddiff} = 3.3V$ , $I_L = 10mA$ to 1.5A		-15	15	mV	2, 3
		$V_{Ddiff} = 40V$ , $I_L = 10mA$ to 300mA		-15	15	mV	1
		$V_{Ddiff} = 40V$ , $I_L = 10mA$ to 195mA		-15	15	mV	2, 3

### LM117K Electrical Characteristics DC Parameters (continued)

The following conditions apply, unless otherwise specified.  $V_{Diff} = (V_I - V_O)$ ,  $I_L = 10\text{mA}$

Symbol	Parameter	Conditions	Notes	Min	Max	Unit	Sub-groups
$\Delta I_{Adj} / \text{Load}$	Adjustment Current Change	$V_{Diff} = 3\text{V}$ , $I_L = 10\text{mA to } 1.5\text{A}$		-5.0	5.0	$\mu\text{A}$	1
		$V_{Diff} = 3.3\text{V}$ , $I_L = 10\text{mA to } 1.5\text{A}$		-5.0	5.0	$\mu\text{A}$	2, 3
		$V_{Diff} = 40\text{V}$ , $I_L = 10\text{mA to } 300\text{mA}$		-5.0	5.0	$\mu\text{A}$	1
		$V_{Diff} = 40\text{V}$ , $I_L = 10\text{mA to } 195\text{mA}$		-5.0	5.0	$\mu\text{A}$	2, 3
$\Delta I_{Adj} / \text{Line}$	Adjustment Current Change	$3\text{V} \leq V_{Diff} \leq 40\text{V}$		-5.0	5.0	$\mu\text{A}$	1
		$3.3\text{V} \leq V_{Diff} \leq 40\text{V}$		-5.0	5.0	$\mu\text{A}$	2, 3
$I_{OS}$	Short Circuit Current	$V_{Diff} = 10\text{V}$		1.6	3.4	A	1
$\theta_R$	Thermal Regulation	$T_A = 25^\circ\text{C}$ , $t = 20\text{mS}$ , $V_{Diff} = 40\text{V}$ , $I_L = 300\text{mA}$		-10.5	10.5	mV	1
$I_{CL}$	Current Limit	$V_{Diff} \leq 15\text{V}$	See <sup>(1)</sup>	1.5		A	1, 2, 3
		$V_{Diff} = 40\text{V}$	See <sup>(1)</sup>	0.3		A	1

(1) Specified parameter, not tested.

### LM117K Electrical Characteristics AC Parameters

Symbol	Parameter	Conditions	Notes	Min	Max	Unit	Sub-groups
RR	Ripple Rejection	$V_I = +6.25\text{V}$ , $V_O = V_{Ref}$ , $f = 120\text{Hz}$ , $e_i = 1V_{RMS}$ , $I_L = 0.5\text{A}$	See <sup>(1)</sup>	66		dB	4, 5, 6

(1) Tested @  $25^\circ\text{C}$ ; specified, but not tested @  $125^\circ\text{C}$  &  $-55^\circ\text{C}$

### LM117E Electrical Characteristics DC Parameters

The following conditions apply, unless otherwise specified.  $V_{Diff} = (V_I - V_O)$ ,  $I_L = 8\text{mA}$ ,  $P_D \leq 1.5\text{W}$

Symbol	Parameter	Conditions	Notes	Min	Max	Unit	Sub-groups
$I_{Adj}$	Adjustment Pin Current	$V_{Diff} = 3\text{V}$			100	$\mu\text{A}$	1
		$V_{Diff} = 3.3\text{V}$			100	$\mu\text{A}$	2, 3
		$V_{Diff} = 40\text{V}$			100	$\mu\text{A}$	1, 2, 3
$I_Q$	Minimum Load Current	$V_{Diff} = 3\text{V}$ , $V_O = 1.7\text{V}$			5.0	mA	1
		$V_{Diff} = 3.3\text{V}$ , $V_O = 1.7\text{V}$			5.0	mA	2, 3
		$V_{Diff} = 40\text{V}$ , $V_O = 1.7\text{V}$			5.0	mA	1, 2, 3
$V_{Ref}$	Reference Voltage	$V_{Diff} = 3\text{V}$		1.2	1.3	V	1
		$V_{Diff} = 3.3\text{V}$		1.2	1.3	V	2, 3
		$V_{Diff} = 40\text{V}$		1.2	1.3	V	1, 2, 3
$V_{RLine}$	Line Regulation	$3\text{V} \leq V_{Diff} \leq 40\text{V}$ , $V_O = 1.2\text{V}$		-8.9	8.9	mV	1
		$3.3\text{V} \leq V_{Diff} \leq 40\text{V}$ , $V_O = 1.2\text{V}$		-22.2	22.2	mV	2, 3

## LM117E Electrical Characteristics DC Parameters (continued)

The following conditions apply, unless otherwise specified.  $V_{Diff} = (V_I - V_O)$ ,  $I_L = 8\text{mA}$ ,  $P_D \leq 1.5\text{W}$

Symbol	Parameter	Conditions	Notes	Min	Max	Unit	Sub-groups
$V_{RLoad}$	Load Regulation	$V_{Diff} = 3\text{V}$ , $I_L = 10\text{mA to } 100\text{mA}$		-15	15	mV	1
		$V_{Diff} = 3.3\text{V}$ , $I_L = 10\text{mA to } 100\text{mA}$		-15	15	mV	2, 3
		$V_{Diff} = 40\text{V}$ , $I_L = 10\text{mA to } 100\text{mA}$		-15	15	mV	1,2
				-25	25	mV	3
		$V_{Diff} = 3\text{V}$ , $I_L = 10\text{mA to } 500\text{mA}$		-15	15	mV	1
		$V_{Diff} = 3.3\text{V}$ , $I_L = 10\text{mA to } 500\text{mA}$		-15	15	mV	2, 3
$\Delta I_{Adj} / \text{Load}$	Adjustment Current Change	$V_{Diff} = 3\text{V}$ , $I_L = 10\text{mA to } 500\text{mA}$		-5.0	5.0	$\mu\text{A}$	1
		$V_{Diff} = 3.3\text{V}$ , $I_L = 10\text{mA to } 500\text{mA}$		-5.0	5.0	$\mu\text{A}$	2, 3
		$V_{Diff} = 40\text{V}$ , $I_L = 10\text{mA to } 100\text{mA}$		-5.0	5.0	$\mu\text{A}$	1, 2, 3
$\Delta I_{Adj} / \text{Line}$	Adjustment Current Change	$3\text{V} \leq V_{Diff} \leq 40\text{V}$		-5.0	5.0	$\mu\text{A}$	1
		$3.3\text{V} \leq V_{Diff} \leq 40\text{V}$		-5.0	5.0	$\mu\text{A}$	2, 3
$I_{OS}$	Short Circuit Current	$V_{Diff} = 10\text{V}$		0.45	1.6	A	1
$\theta_R$	Thermal Regulation	$T_A = 25^\circ\text{C}$ , $t = 20\text{mS}$ , $V_{Diff} = 40\text{V}$ , $I_L = 75\text{mA}$		-6.0	6.0	mV	1
$I_{CL}$	Current Limit	$V_{Diff} \leq 15\text{V}$	See <sup>(1)</sup>	0.5		A	1, 2, 3
		$V_{Diff} = 40\text{V}$	See <sup>(1)</sup>	0.15		A	1

(1) Specified parameter, not tested.

## LM117E Electrical Characteristics AC Parameters

Symbol	Parameter	Conditions	Notes	Min	Max	Unit	Sub-groups
RR	Ripple Rejection	$V_I = +6.25\text{V}$ , $V_O = V_{Ref}$ , $f = 120\text{Hz}$ , $e_i = 1V_{RMS}$ , $I_L = 100\text{mA}$ , $C_{Adj} = 10\mu\text{f}$	See <sup>(1)</sup>	66		dB	4, 5, 6

(1) Tested @ 25°C; specified, but not tested @ 125°C & -55°C



**LM117H & LM117WG RH Electrical Characteristics  
DC Parameters<sup>(1)(2)</sup>**

Symbol	Parameter	Conditions	Notes	Min	Max	Unit	Sub-groups
V <sub>O</sub>	Output Voltage	V <sub>I</sub> = 4.25V, I <sub>L</sub> = -5mA		1.2	1.3	V	1, 2, 3
		V <sub>I</sub> = 4.25V, I <sub>L</sub> = -500mA		1.2	1.3	V	1, 2, 3
		V <sub>I</sub> = 41.25V, I <sub>L</sub> = -5mA		1.2	1.3	V	1, 2, 3
		V <sub>I</sub> = 41.25V, I <sub>L</sub> = -50mA		1.2	1.3	V	1, 2, 3
V <sub>RLine</sub>	Line Regulation	4.25V ≤ V <sub>I</sub> ≤ 41.25V, I <sub>L</sub> = -5mA		-9.0	9.0	mV	1
				-23	23	mV	2,3
V <sub>RLoad</sub>	Load Regulation	V <sub>I</sub> = 6.25V, -500mA ≤ I <sub>L</sub> ≤ -5mA		-12	12	mV	1, 2, 3
			V <sub>I</sub> = 41.25V, -50mA ≤ I <sub>L</sub> ≤ -5mA		-12	12	mV
V <sub>RTh</sub>	Thermal Regulation	V <sub>I</sub> = 14.6V, I <sub>L</sub> = -500mA		-12	12	mV	1
I <sub>Adj</sub>	Adjust Pin Current	V <sub>I</sub> = 4.25V, I <sub>L</sub> = -5mA		-100	-15	μA	1, 2, 3
		V <sub>I</sub> = 41.25V, I <sub>L</sub> = -5mA		-100	-15	μA	1, 2, 3
ΔI <sub>Adj</sub> /Line	Adjust Pin Current Change	4.25V ≤ V <sub>I</sub> ≤ 41.25V, I <sub>L</sub> = -5mA		-5.0	5.0	μA	1, 2, 3
ΔI <sub>Adj</sub> /Load	Adjust Pin Current Change	V <sub>I</sub> = 6.25V, -500mA ≤ I <sub>L</sub> ≤ -5mA		-5.0	5.0	μA	1, 2, 3
I <sub>Q</sub>	Minimum Load Current	V <sub>I</sub> = 4.25V, Forced V <sub>O</sub> = 1.4V		-3.0	-0.5	mA	1, 2, 3
		V <sub>I</sub> = 14.25V, Forced V <sub>O</sub> = 1.4V		-3.0	-0.5	mA	1, 2, 3
		V <sub>I</sub> = 41.25V, Forced V <sub>O</sub> = 1.4V		-5.0	-1.0	mA	1, 2, 3
I <sub>OS</sub>	Output Short Circuit Current	V <sub>I</sub> = 4.25V		-1.8	-0.5	A	1, 2, 3
		V <sub>I</sub> = 40V		-0.5	-0.05	A	1, 2, 3
V <sub>O</sub> (Recov)	Output Voltage Recovery	V <sub>I</sub> = 4.25V, R <sub>L</sub> = 2.5Ω, C <sub>L</sub> = 20μF		1.2	1.3	V	1, 2, 3
		V <sub>I</sub> = 40V, R <sub>L</sub> = 250Ω		1.2	1.3	V	1, 2, 3
V <sub>O</sub>	Output Voltage	V <sub>I</sub> = 6.25V, I <sub>L</sub> = -5mA	See <sup>(3)</sup>	1.2	1.3	V	2
V <sub>Start</sub>	Voltage Start-Up	V <sub>I</sub> = 4.25V, R <sub>L</sub> = 2.5Ω, C <sub>L</sub> = 20μF, I <sub>L</sub> = -500mA		1.2	1.3	V	1, 2, 3

- (1) Pre and post irradiation limits are identical to those listed under AC and DC electrical characteristics except as listed in the "Post Radiation Limits" table. These parts may be dose rate sensitive in a space environment and demonstrate enhanced low dose rate effect. Radiation end point limits for the noted parameters are ensured only for the conditions as specified in Mil-Std-883, Method 1019.5, Condition A.
- (2) Low dose rate testing has been performed on a wafer-by-wafer basis, per test method 1019 condition D of MIL-STD-883, with no enhanced low dose rate sensitivity (ELDRS) effect.
- (3) Tested @ T<sub>A</sub> = 125°C, correlated to T<sub>A</sub> = 150°C

## LM117H & LM117WG RH Electrical Characteristics

### AC Parameters<sup>(1)(2)</sup>

Symbol	Parameter	Conditions	Notes	Min	Max	Unit	Sub - groups
$V_{NO}$	Output Noise Voltage	$V_I = 6.25V, I_L = -50mA$			120	$\mu V_{RMS}$	7
$\Delta V_O / \Delta V_I$	Line Transient Response	$V_I = 6.25V, \Delta V_I = 3V,$ $I_L = -10mA$			6.0	mV/V	7
$\Delta V_O / \Delta I_L$	Load Transient Response	$V_I = 6.25V, \Delta I_L = -200mA,$ $I_L = -50mA$			0.6	mV/mA	7
$\Delta V_I / \Delta V_O$	Ripple Rejection	$V_I = 6.25V, I_L = -125mA,$ $E_I = 1V_{RMS}$ at $f = 2400Hz$		65		dB	4

- (1) Pre and post irradiation limits are identical to those listed under AC and DC electrical characteristics except as listed in the "Post Radiation Limits" table. These parts may be dose rate sensitive in a space environment and demonstrate enhanced low dose rate effect. Radiation end point limits for the noted parameters are ensured only for the conditions as specified in Mil-Std-883, Method 1019.5, Condition A.
- (2) Low dose rate testing has been performed on a wafer-by-wafer basis, per test method 1019 condition D of MIL-STD-883, with no enhanced low dose rate sensitivity (ELDRS) effect.

## LM117H & LM117WG RH Electrical Characteristics

### DC Drift Parameters

The following conditions apply, unless otherwise specified.

Deltas performed on QMLV devices at Group B, Subgroup 5, only.

Symbol	Parameter	Conditions	Notes	Min	Max	Unit	Sub - groups
$V_O$	Output Voltage	$V_I = 4.25V, I_L = -5mA$		-0.01	0.01	V	1
		$V_I = 4.25V, I_L = -500mA$		-0.01	0.01	V	1
		$V_I = 41.25V, I_L = -5mA$		-0.01	0.01	V	1
		$V_I = 41.25V, I_L = -50mA$		-0.01	0.01	V	1
$V_{RLine}$	Line Regulation	$4.25V \leq V_I \leq 41.25V,$ $I_L = -5mA$		-4.0	4.0	mV	1
$I_{Adj}$	Adjust Pin Current	$V_I = 4.25V, I_L = -5mA$		-10	10	$\mu A$	1
		$V_I = 41.25V, I_L = -5mA$		-10	10	$\mu A$	1
$V_O$ (Recov)	Output Voltage Recovery	$V_I = 4.25V, R_L = 2.5\Omega,$ $C_L = 20\mu f$		-0.01	0.01	V	1
		$V_I = 40V, R_L = 250\Omega$		-0.01	0.01	V	1

**LM117H & LM117WG RH Electrical Characteristics  
AC/DC Post Radiation Limits @ +25°C<sup>(1)(2)</sup>**

Symbol	Parameter	Conditions	Notes	Min	Max	Unit	Sub-groups
V <sub>O</sub>	Output Voltage	V <sub>I</sub> = 4.25V, I <sub>L</sub> = -5mA		1.2	1.35 0	V	1
		V <sub>I</sub> = 4.25V, I <sub>L</sub> = -500mA		1.2	1.35 0	V	1
		V <sub>I</sub> = 41.25V, I <sub>L</sub> = -5mA		1.2	1.35 0	V	1
		V <sub>I</sub> = 41.25V, I <sub>L</sub> = -50mA		1.2	1.35 0	V	1
V <sub>RLine</sub>	Line Regulation	4.25V ≤ V <sub>I</sub> ≤ 41.25V, I <sub>L</sub> = -5mA		-25	25	mV	1
ΔV <sub>I</sub> / ΔV <sub>O</sub>	Ripple Rejection	V <sub>I</sub> = 6.25V, I <sub>L</sub> = -125mA E <sub>I</sub> = 1V <sub>RMS</sub> at f = 2400Hz		60		dB	4
V <sub>O</sub> (Recov)	Output Voltage Recovery	V <sub>I</sub> = 4.25V, R <sub>L</sub> = 2.5Ω, C <sub>L</sub> = 20μf		1.20	1.35 0	V	1
		V <sub>I</sub> = 40V, R <sub>L</sub> = 250Ω		1.20	1.35 0	V	1

- (1) Pre and post irradiation limits are identical to those listed under AC and DC electrical characteristics except as listed in the "Post Radiation Limits" table. These parts may be dose rate sensitive in a space environment and demonstrate enhanced low dose rate effect. Radiation end point limits for the noted parameters are ensured only for the conditions as specified in Mil-Std-883, Method 1019.5, Condition A.
- (2) Low dose rate testing has been performed on a wafer-by-wafer basis, per test method 1019 condition D of MIL-STD-883, with no enhanced low dose rate sensitivity (ELDRS) effect.

**LM117K RH Electrical Characteristics  
DC Parameters<sup>(1)</sup>**

Symbol	Parameter	Conditions	Notes	Min	Max	Unit	Sub-groups
V <sub>O</sub>	Output Voltage	V <sub>I</sub> = 4.25V, I <sub>L</sub> = -5mA		1.2	1.3	V	1, 2, 3
		V <sub>I</sub> = 4.25V, I <sub>L</sub> = -1.5A		1.2	1.3	V	1, 2, 3
		V <sub>I</sub> = 41.25V, I <sub>L</sub> = -5mA		1.2	1.3	V	1, 2, 3
		V <sub>I</sub> = 41.25V, I <sub>L</sub> = -200mA		1.2	1.3	V	1, 2, 3
V <sub>RLine</sub>	Line Regulation	4.25V ≤ V <sub>I</sub> ≤ 41.25V, I <sub>L</sub> = -5mA		-9.0	9.0	mV	1
				-23	23	mV	2,3
V <sub>RLoad</sub>	Load Regulation	V <sub>I</sub> = 6.25V, -1.5A ≤ I <sub>L</sub> ≤ -5mA		-3.5	3.5	mV	1
				-12	12	mV	2, 3
			V <sub>I</sub> = 41.25V, -200mA ≤ I <sub>L</sub> ≤ -5mA		-3.5	3.5	mV
				-12	12	mV	2, 3
V <sub>RTh</sub>	Thermal Regulation	V <sub>I</sub> = 14.6V, I <sub>L</sub> = -1.5A		-12	12	mV	1
I <sub>Adj</sub>	Adjust Pin Current	V <sub>I</sub> = 4.25V, I <sub>L</sub> = -5mA		-100	-15	μA	1, 2, 3
		V <sub>I</sub> = 41.25V, I <sub>L</sub> = -5mA		-100	-15	μA	1, 2, 3
ΔI <sub>Adj</sub> /Line	Adjust Pin Current Change	4.25V ≤ V <sub>I</sub> ≤ 41.25V, I <sub>L</sub> = -5mA		-5.0	5.0	μA	1, 2, 3
ΔI <sub>Adj</sub> /Load	Adjust Pin Current Change	V <sub>I</sub> = 6.25V, -1.5A ≤ I <sub>L</sub> ≤ -5mA		-5.0	5.0	μA	1, 2, 3
I <sub>Q</sub>	Minimum Load Current	V <sub>I</sub> = 4.25V, Forced V <sub>O</sub> = 1.4V		-3.0	-0.2	mA	1, 2, 3
		V <sub>I</sub> = 14.25V, Forced V <sub>O</sub> = 1.4V		-3.0	-0.2	mA	1, 2, 3
		V <sub>I</sub> = 41.25V, Forced V <sub>O</sub> = 1.4V		-5.0	-0.2	mA	1, 2, 3
I <sub>OS</sub>	Output Short Circuit Current	V <sub>I</sub> = 4.25V		-3.5	-1.5	A	1, 2, 3
		V <sub>I</sub> = 40V		-1.0	-0.18	A	1, 2, 3
V <sub>O</sub> (Recov)	Output Voltage Recovery	V <sub>I</sub> = 4.25V, R <sub>L</sub> = 0.833Ω, C <sub>L</sub> = 20μF		1.2	1.3	V	1, 2, 3
		V <sub>I</sub> = 40V, R <sub>L</sub> = 250Ω		1.2	1.3	V	1, 2, 3
V <sub>O</sub>	Output Voltage	V <sub>I</sub> = 6.25V, I <sub>L</sub> = -5mA	See <sup>(2)</sup>	1.2	1.3	V	2
V <sub>Start</sub>	Voltage Start-Up	V <sub>I</sub> = 4.25V, R <sub>L</sub> = 0.833Ω, C <sub>L</sub> = 20μF, I <sub>L</sub> = -1.5A		1.2	1.3	V	1, 2, 3

(1) Pre and post irradiation limits are identical to those listed under AC and DC electrical characteristics except as listed in the "Post Radiation Limits" table. These parts may be dose rate sensitive in a space environment and demonstrate enhanced low dose rate effect. Radiation end point limits for the noted parameters are ensured only for the conditions as specified in Mil-Std-883, Method 1019.5, Condition A.

(2) Tested @ T<sub>A</sub> = 125°C, correlated to T<sub>A</sub> = 150°C

**LM117K RH Electrical Characteristics  
AC Parameters<sup>(1)</sup>**

Symbol	Parameter	Conditions	Notes	Min	Max	Unit	Sub-groups
$V_{NO}$	Output Noise Voltage	$V_I = 6.25V, I_L = -100mA$			120	$\mu V_{RMS}$	7
$\Delta V_O / \Delta V_I$	Line Transient Response	$V_I = 6.25V, \Delta V_I = 3V,$ $I_L = -10mA$	See <sup>(2)</sup>		18	mV	7
$\Delta V_O / \Delta I_L$	Load Transient Response	$V_I = 6.25V, \Delta I_L = -400mA,$ $I_L = -100mA$	See <sup>(3)</sup>		120	mV	7
$\Delta V_I / \Delta V_O$	Ripple Rejection	$V_I = 6.25V, I_L = -500mA,$ $E_I = 1V_{RMS}$ at $f = 2400Hz$		65		dB	4

- (1) Pre and post irradiation limits are identical to those listed under AC and DC electrical characteristics except as listed in the "Post Radiation Limits" table. These parts may be dose rate sensitive in a space environment and demonstrate enhanced low dose rate effect. Radiation end point limits for the noted parameters are ensured only for the conditions as specified in Mil-Std-883, Method 1019.5, Condition A.
- (2) SMD limit of 6mV/V is equivalent to 18mV
- (3) SMD limit of 0.3mV/V is equivalent to 120mV

**LM117K RH Electrical Characteristics  
DC Drift Parameters**

The following conditions apply, unless otherwise specified.  
Deltas performed on QMLV devices at Group B, Subgroup 5, only.

Symbol	Parameter	Conditions	Notes	Min	Max	Unit	Sub-groups
$V_O$	Output Voltage	$V_I = 4.25V, I_L = -5mA$		-0.01	0.01	V	1
		$V_I = 4.25V, I_L = -1.5A$		-0.01	0.01	V	1
		$V_I = 41.25V, I_L = -5mA$		-0.01	0.01	V	1
		$V_I = 41.25V, I_L = -200mA$		-0.01	0.01	V	1
$V_{RLine}$	Line Regulation	$4.25V \leq V_I \leq 41.25V,$ $I_L = -5mA$		-4.0	4.0	mV	1
$I_{Adj}$	Adjust Pin Current	$V_I = 4.25V, I_L = -5mA$		-10	10	$\mu A$	1
		$V_I = 41.25V, I_L = -5mA$		-10	10	$\mu A$	1
$V_O$ (Recov)	Output Voltage Recovery	$V_I = 4.25V, R_L = 0.833\Omega,$ $C_L = 20\mu S$		-0.01	0.01	V	1
		$V_I = 40V, R_L = 250\Omega$		-0.01	0.01	V	1

**LM117K RH Electrical Characteristics  
AC/DC Post Radiation Limits @ +25°C<sup>(1)</sup>**

Symbol	Parameter	Conditions	Notes	Min	Max	Unit	Sub-groups
V <sub>O</sub>	Output Voltage	V <sub>I</sub> = 4.25V, I <sub>L</sub> = -5mA		1.2	1.35 0	V	1
		V <sub>I</sub> = 4.25V, I <sub>L</sub> = -1.5A		1.2	1.35 0	V	1
		V <sub>I</sub> = 41.25V, I <sub>L</sub> = -5mA		1.2	1.35 0	V	1
		V <sub>I</sub> = 41.25V, I <sub>L</sub> = -200mA		1.2	1.35 0	V	1
V <sub>RLine</sub>	Line Regulation	4.25V ≤ V <sub>I</sub> ≤ 41.25V, I <sub>L</sub> = -5mA		-25	25	mV	1
V <sub>RLoad</sub>	Load Regulation	V <sub>I</sub> = 6.25V, -1.5A ≤ I <sub>L</sub> ≤ -5mA		-7.0	7.0	mV	1
		V <sub>I</sub> = 41.25V, -200mA ≤ I <sub>L</sub> ≤ -5mA		-7.0	7.0	mV	1
ΔV <sub>I</sub> / ΔV <sub>O</sub>	Ripple Rejection	V <sub>I</sub> = 6.25V, I <sub>L</sub> = -500mA E <sub>I</sub> = 1V <sub>RMS</sub> at f = 2400Hz		60		dB	4
V <sub>O</sub> (Recov)	Output Voltage Recovery	V <sub>I</sub> = 4.25V, R <sub>L</sub> = 0.833Ω, C <sub>L</sub> = 20μS		1.20	1.35 0	V	1
		V <sub>I</sub> = 40V, R <sub>L</sub> = 250Ω		1.20	1.35 0	V	1

- (1) Pre and post irradiation limits are identical to those listed under AC and DC electrical characteristics except as listed in the "Post Radiation Limits" table. These parts may be dose rate sensitive in a space environment and demonstrate enhanced low dose rate effect. Radiation end point limits for the noted parameters are ensured only for the conditions as specified in Mil-Std-883, Method 1019.5, Condition A.

### Typical Performance Characteristics

Output Capacitor = 0 $\mu$ F unless otherwise noted

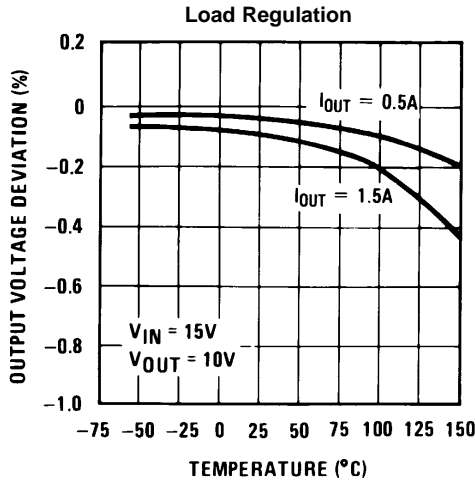


Figure 5.

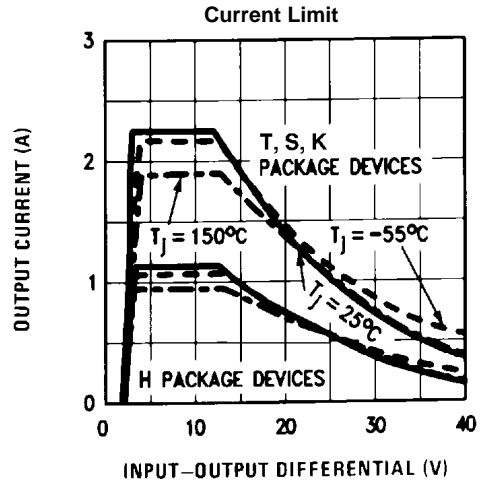


Figure 6.

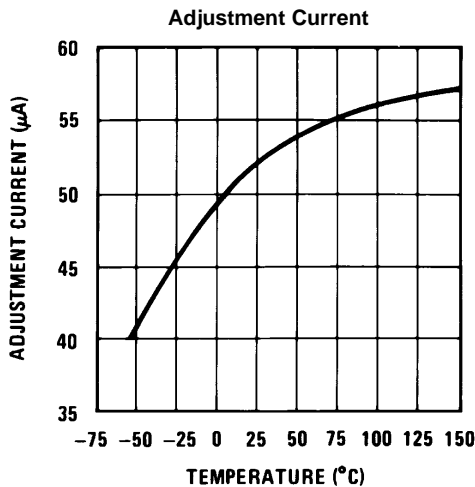


Figure 7.

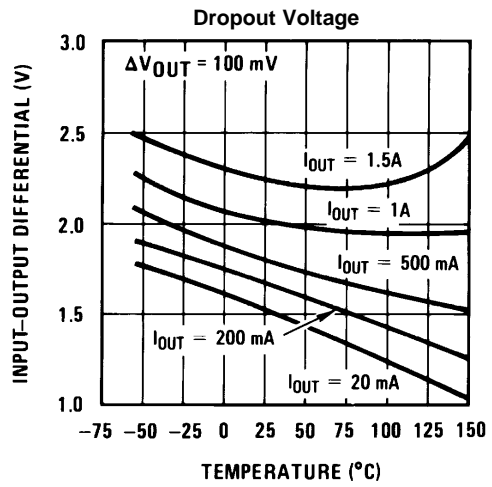


Figure 8.

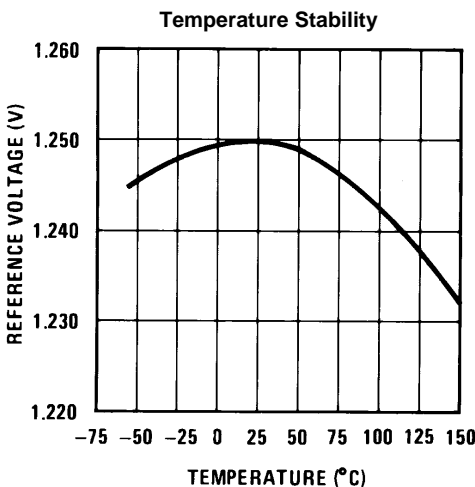


Figure 9.

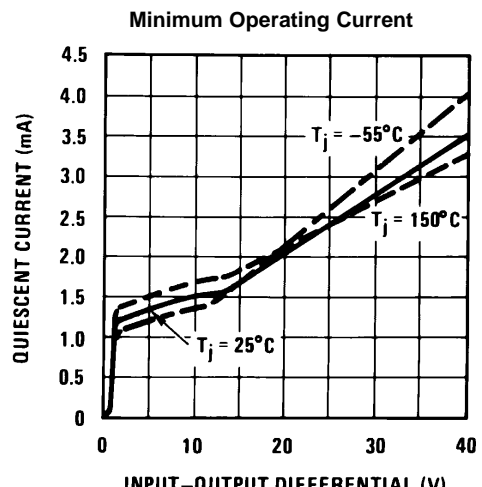


Figure 10.

Typical Performance Characteristics (continued)

Output Capacitor = 0 $\mu$ F unless otherwise noted

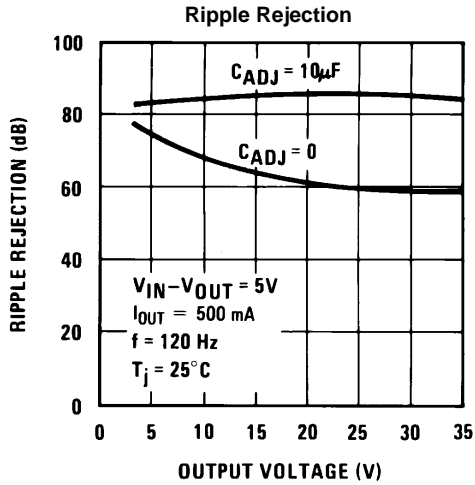


Figure 11.

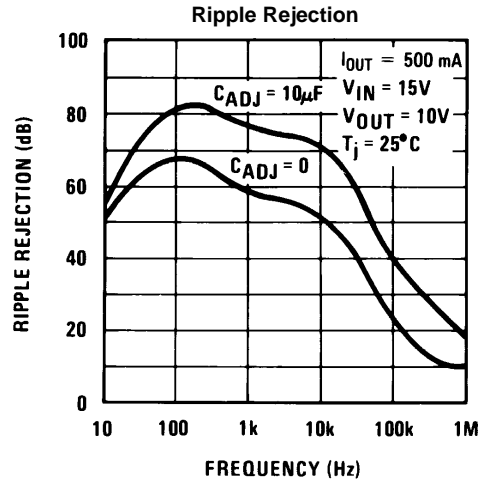


Figure 12.

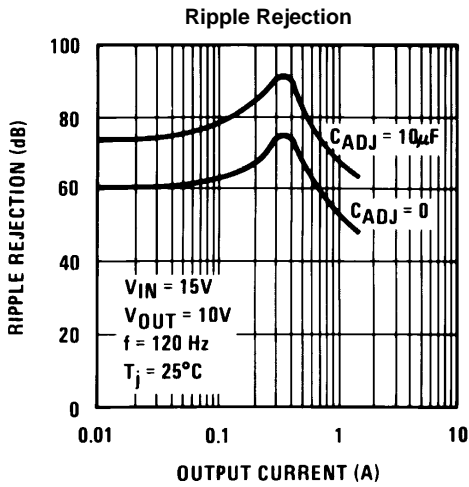


Figure 13.

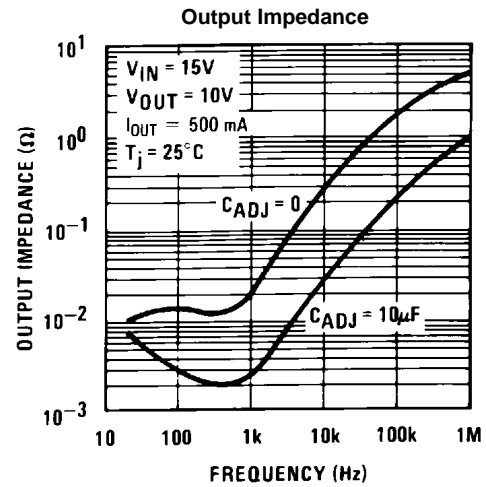


Figure 14.

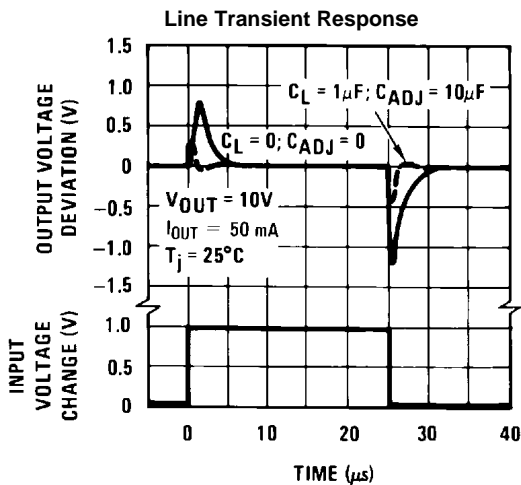


Figure 15.

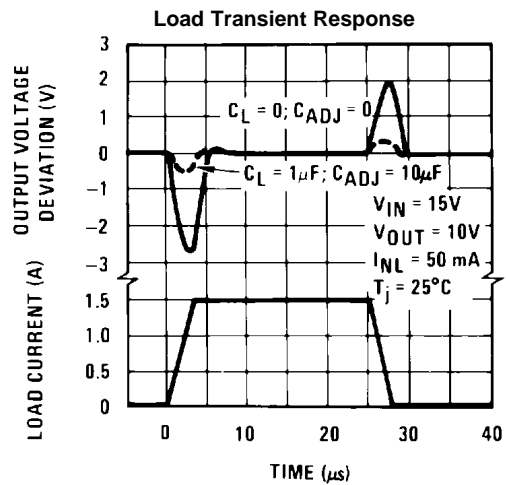


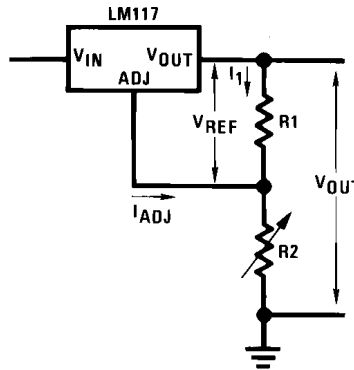
Figure 16.



## APPLICATION HINTS

In operation, the LM117 develops a nominal 1.25V reference voltage,  $V_{REF}$ , between the output and adjustment terminal. The reference voltage is impressed across program resistor R1 and, since the voltage is constant, a constant current  $I_1$  then flows through the output set resistor R2, giving an output voltage of

$$V_{OUT} = V_{REF} \left( 1 + \frac{R2}{R1} \right) + I_{ADJ}R2 \quad (1)$$



Since the 100µA current from the adjustment terminal represents an error term, the LM117 was designed to minimize  $I_{ADJ}$  and make it very constant with line and load changes. To do this, all quiescent operating current is returned to the output establishing a minimum load current requirement. If there is insufficient load on the output, the output will rise.

## EXTERNAL CAPACITORS

An input bypass capacitor is recommended. A 0.1µF disc or 1µF solid tantalum on the input is suitable input bypassing for almost all applications. The device is more sensitive to the absence of input bypassing when adjustment or output capacitors are used but the above values will eliminate the possibility of problems.

The adjustment terminal can be bypassed to ground on the LM117 to improve ripple rejection. This bypass capacitor prevents ripple from being amplified as the output voltage is increased. With a 10µF bypass capacitor 80dB ripple rejection is obtainable at any output level. Increases over 10µF do not appreciably improve the ripple rejection at frequencies above 120Hz. If the bypass capacitor is used, it is sometimes necessary to include protection diodes to prevent the capacitor from discharging through internal low current paths and damaging the device.

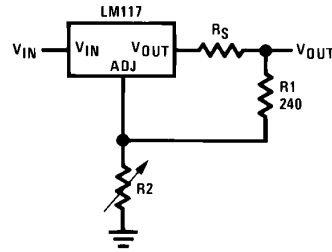
In general, the best type of capacitors to use is solid tantalum. Solid tantalum capacitors have low impedance even at high frequencies. Depending upon capacitor construction, it takes about 25µF in aluminum electrolytic to equal 1µF solid tantalum at high frequencies. Ceramic capacitors are also good at high frequencies; but some types have a large decrease in capacitance at frequencies around 0.5MHz. For this reason, 0.01µF disc may seem to work better than a 0.1µF disc as a bypass.

Although the LM117 is stable with no output capacitors, like any feedback circuit, certain values of external capacitance can cause excessive ringing. This occurs with values between 500 pF and 5000 pF. A 1µF solid tantalum (or 25µF aluminum electrolytic) on the output swamps this effect and insures stability. Any increase of the load capacitance larger than 10µF will merely improve the loop stability and output impedance.

## LOAD REGULATION

The LM117 is capable of providing extremely good load regulation but a few precautions are needed to obtain maximum performance. The current set resistor connected between the adjustment terminal and the output terminal (usually 240Ω) should be tied directly to the output (case) of the regulator rather than near the load. This eliminates line drops from appearing effectively in series with the reference and degrading regulation. For example, a 15V regulator with 0.05Ω resistance between the regulator and load will have a load regulation due to line resistance of  $0.05\Omega \times I_L$ . If the set resistor is connected near the load the effective line resistance will be  $0.05\Omega (1 + R2/R1)$  or in this case, 11.5 times worse.

Figure 17 shows the effect of resistance between the regulator and 240Ω set resistor.



**Figure 17. Regulator with Line Resistance in Output Lead**

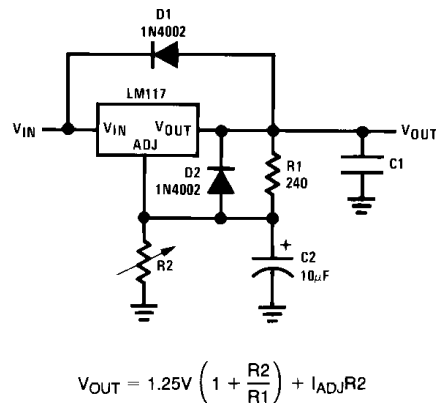
With the TO package, it is easy to minimize the resistance from the case to the set resistor, by using two separate leads to the case. However, with the PFM package, care should be taken to minimize the wire length of the output lead. The ground of R2 can be returned near the ground of the load to provide remote ground sensing and improve load regulation.

## PROTECTION DIODES

When external capacitors are used with *any* IC regulator it is sometimes necessary to add protection diodes to prevent the capacitors from discharging through low current points into the regulator. Most 10 $\mu$ F capacitors have low enough internal series resistance to deliver 20A spikes when shorted. Although the surge is short, there is enough energy to damage parts of the IC.

When an output capacitor is connected to a regulator and the input is shorted, the output capacitor will discharge into the output of the regulator. The discharge current depends on the value of the capacitor, the output voltage of the regulator, and the rate of decrease of  $V_{IN}$ . In the LM117, this discharge path is through a large junction that is able to sustain 15A surge with no problem. This is not true of other types of positive regulators. For output capacitors of 25 $\mu$ F or less, there is no need to use diodes.

The bypass capacitor on the adjustment terminal can discharge through a low current junction. Discharge occurs when *either* the input or output is shorted. Internal to the LM117 is a 50 $\Omega$  resistor which limits the peak discharge current. No protection is needed for output voltages of 25V or less and 10 $\mu$ F capacitance. [Figure 18](#) shows an LM117 with protection diodes included for use with outputs greater than 25V and high values of output capacitance.



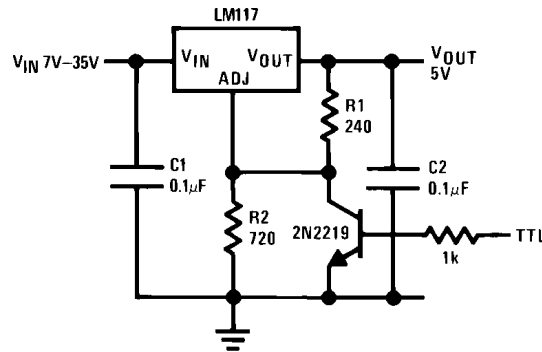
D1 protects against C1  
D2 protects against C2

**Figure 18. Regulator with Protection Diodes**

When a value for  $\theta_{(H-A)}$  is found using the equation shown, *a heatsink must be selected that has a value that is less than or equal to this number.*

$\theta_{(H-A)}$  is specified numerically by the heatsink manufacturer in the catalog, or shown in a curve that plots temperature rise vs power dissipation for the heatsink.

Typical Applications



\*Min. output  $\approx 1.2V$

Figure 19. 5V Logic Regulator with Electronic Shutdown\*

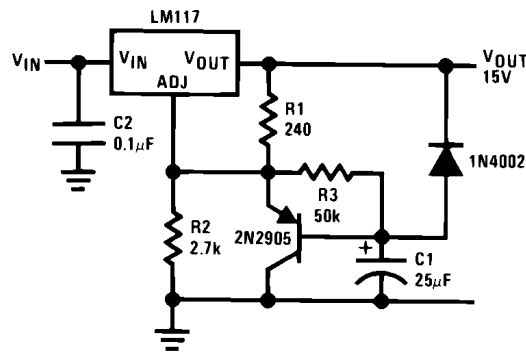
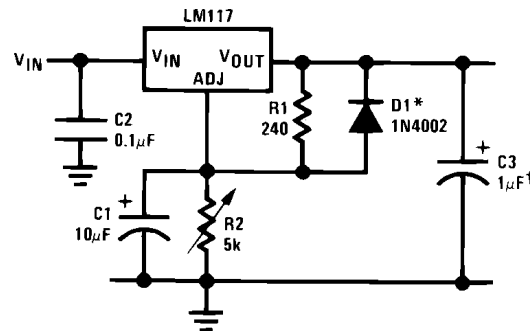


Figure 20. Slow Turn-On 15V Regulator



†Solid tantalum

\*Discharges C1 if output is shorted to ground

Figure 21. Adjustable Regulator with Improved Ripple Rejection

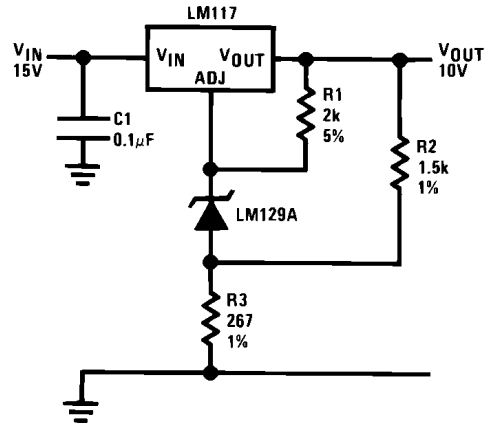
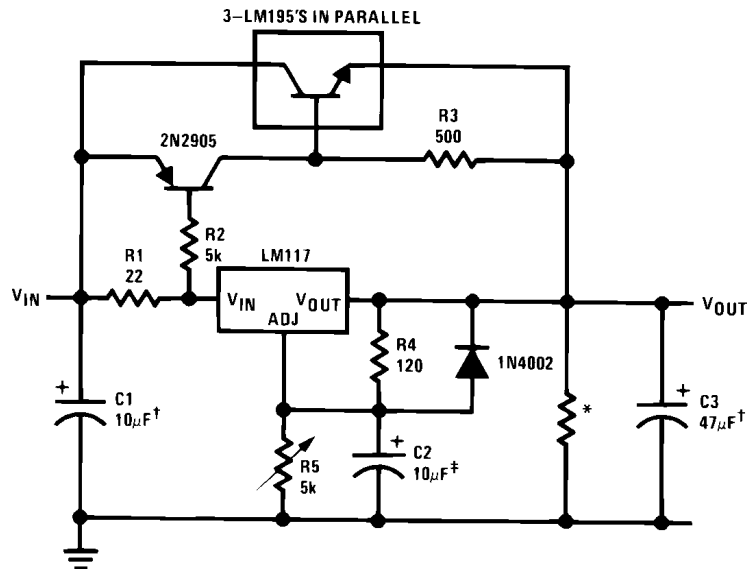
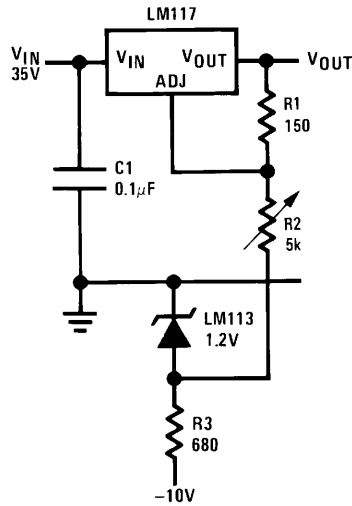


Figure 22. High Stability 10V Regulator



‡Optional—improves ripple rejection  
 †Solid tantalum  
 \*Minimum load current = 30 mA

Figure 23. High Current Adjustable Regulator



Full output current not available at high input-output voltages

Figure 24. 0 to 30V Regulator

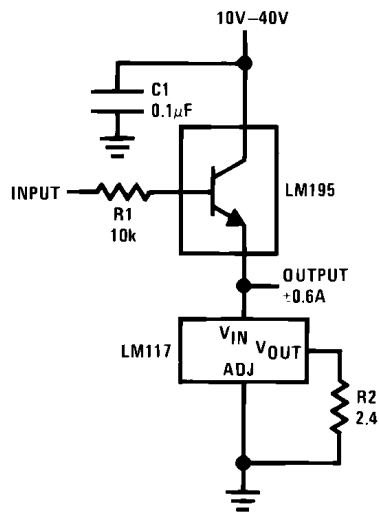
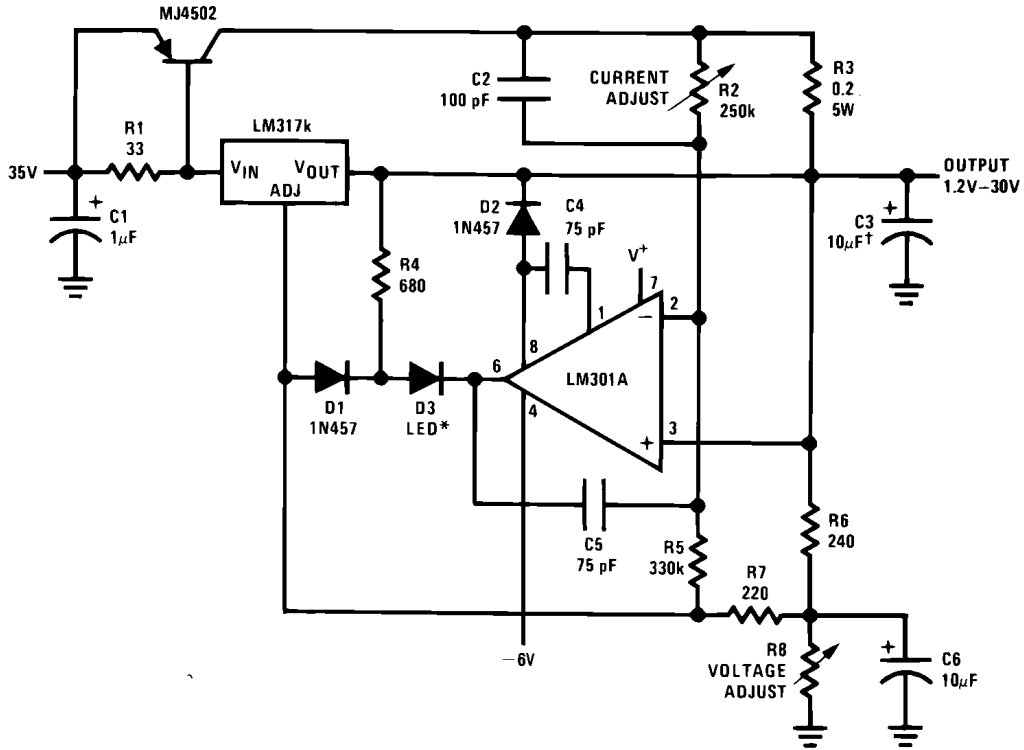


Figure 25. Power Follower



†Solid tantalum

\*Lights in constant current mode

Figure 26. 5A Constant Voltage/Constant Current Regulator

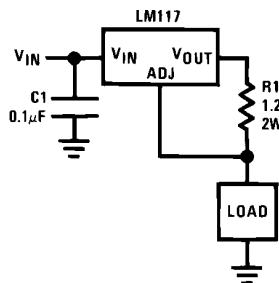
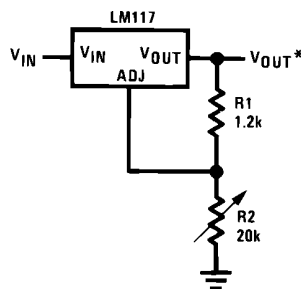


Figure 27. 1A Current Regulator



\*Minimum load current  $\approx$  4 mA

Figure 28. 1.2V-20V Regulator with Minimum Program Current

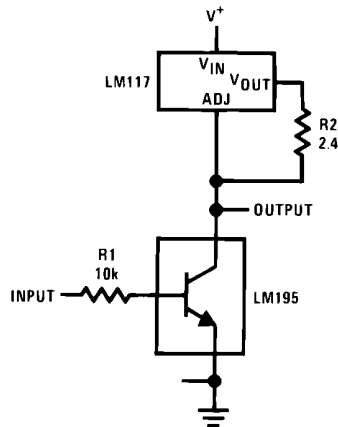
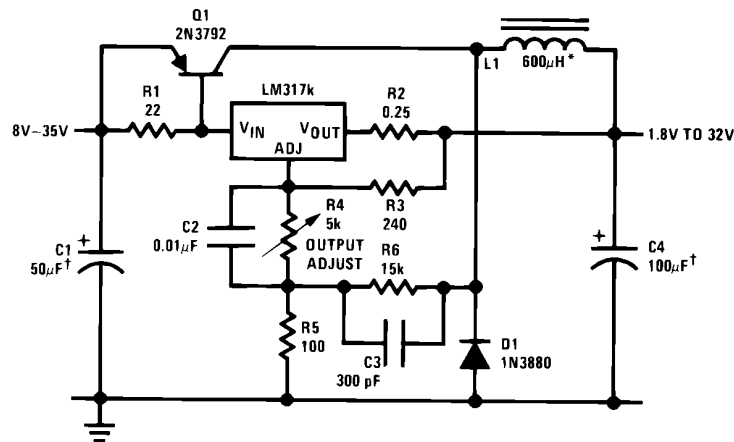


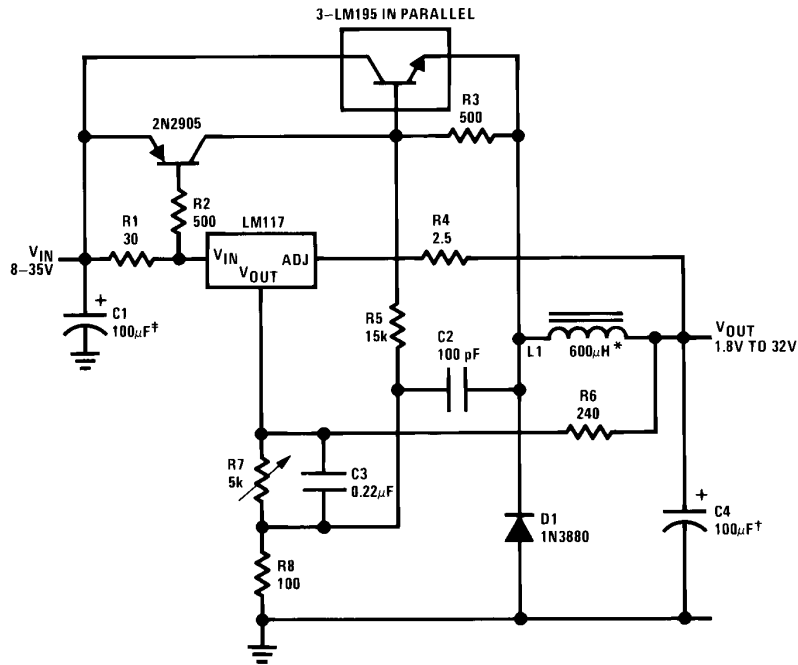
Figure 29. High Gain Amplifier



†Solid tantalum

\*Core—Arnold A-254168-2 60 turns

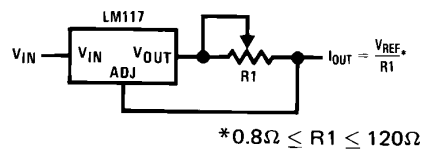
Figure 30. Low Cost 3A Switching Regulator



†Solid tantalum

\*Core—Arnold A-254168-2 60 turns

Figure 31. 4A Switching Regulator with Overload Protection



$$* 0.8\Omega \leq R1 \leq 120\Omega$$

Figure 32. Precision Current Limiter

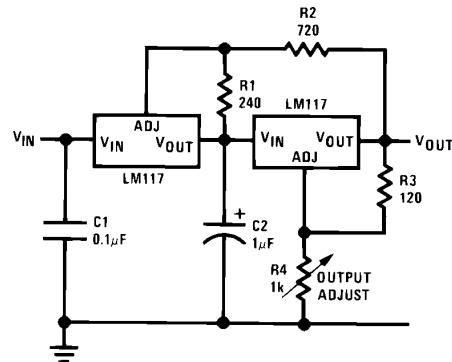
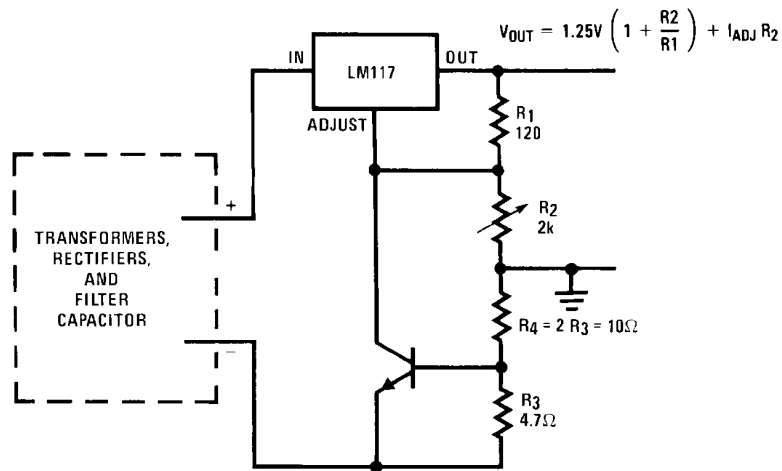


Figure 33. Tracking Preregulator



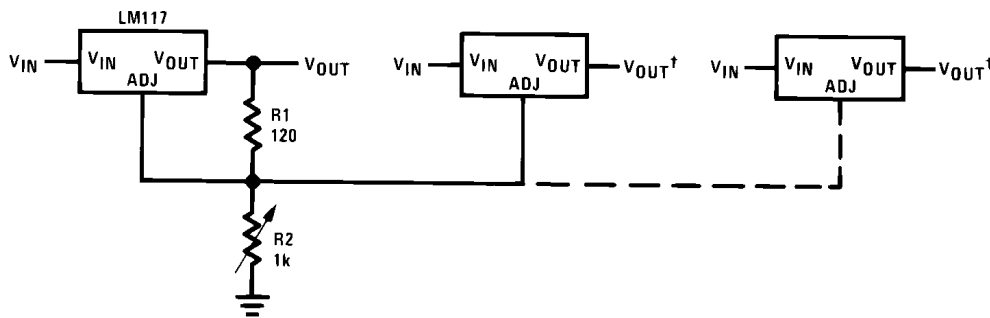


— Short circuit current is approximately  $\frac{600 \text{ mV}}{R_3}$ , or 120 mA

(Compared to LM117's higher current limit)

— At 50 mA output only  $\frac{1}{4}$  volt of drop occurs in  $R_3$  and  $R_4$

Figure 34. Current Limited Voltage Regulator



\*All outputs within  $\pm 100 \text{ mV}$

†Minimum load—10 mA

Figure 35. Adjusting Multiple On-Card Regulators with Single Control\*

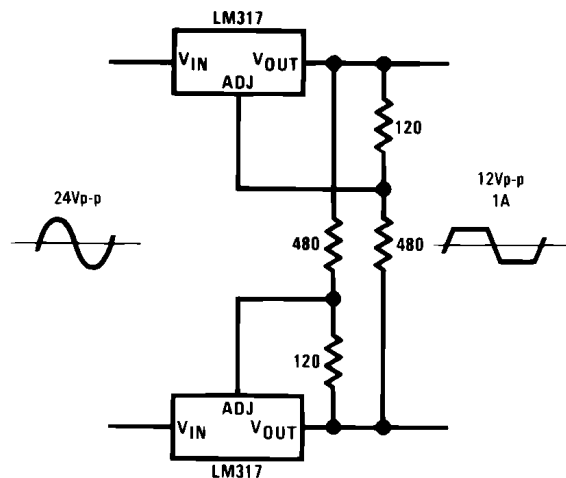
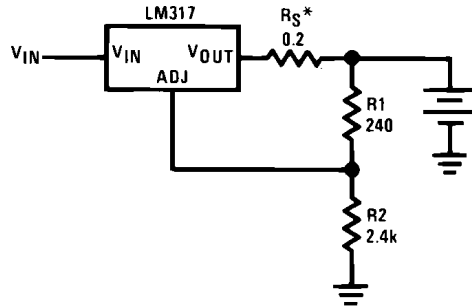


Figure 36. AC Voltage Regulator



\* $R_S$ —sets output impedance of charger:  $Z_{OUT} = R_S \left( 1 + \frac{R_2}{R_1} \right)$

Use of  $R_S$  allows low charging rates with fully charged battery.

Figure 37. 12V Battery Charger

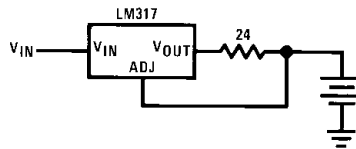


Figure 38. 50mA Constant Current Battery Charger

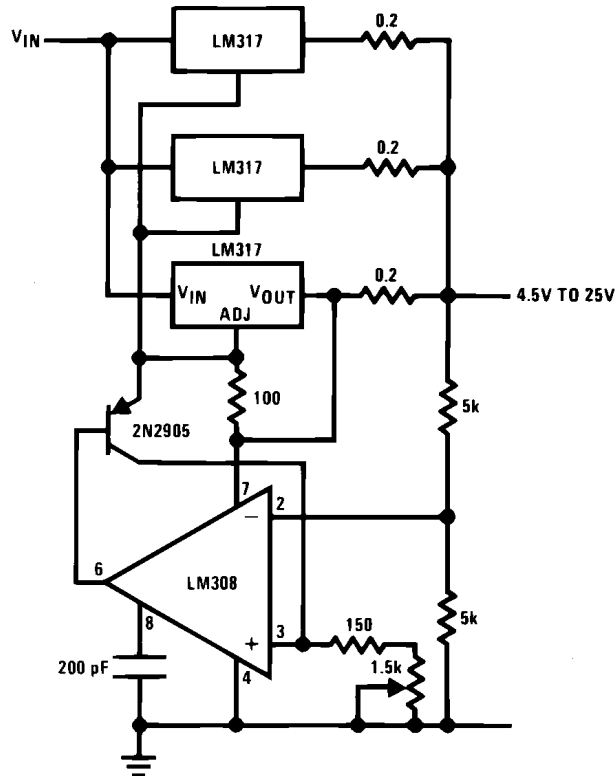
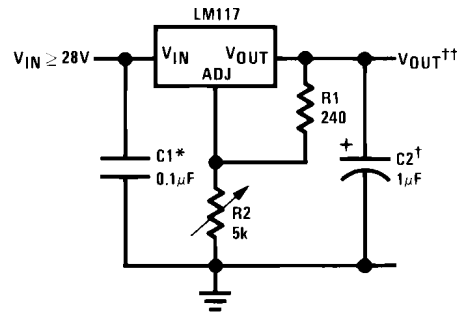


Figure 39. Adjustable 4A Regulator



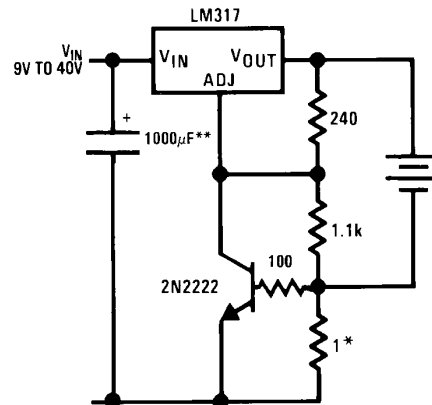
Full output current not available at high input-output voltages

\*Needed if device is more than 6 inches from filter capacitors.

†Optional—improves transient response. Output capacitors in the range of 1μF to 1000μF of aluminum or tantalum electrolytic are commonly used to provide improved output impedance and rejection of transients.

$$\dagger\dagger V_{OUT} = 1.25V \left( 1 + \frac{R_2}{R_1} \right) + I_{ADJ}(R_2)$$

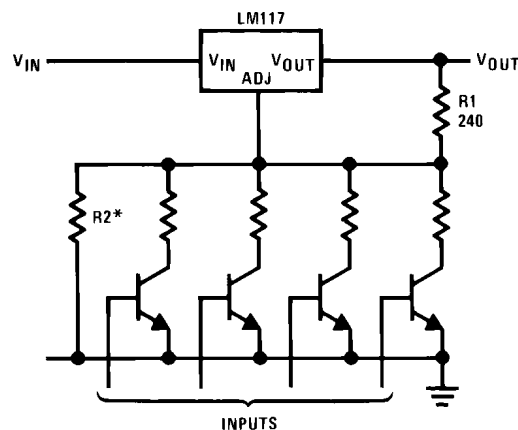
Figure 40. 1.2V–25V Adjustable Regulator



\*Sets peak current (0.6A for 1Ω)

\*\*The 1000μF is recommended to filter out input transients

Figure 41. Current Limited 6V Charger



\*Sets maximum  $V_{OUT}$

Figure 42. Digitally Selected Outputs

## REVISION HISTORY

Date Released	Revision	Section	Changes
03/17/06	A	New Release to corporate format	5 MDS data sheets were consolidated into one corporate data sheet format. Clarified $\Delta I_{Adj}$ Line versus $\Delta I_{Adj}$ Load by separating the parameters in all of the tables. MNLM117-K Rev 1C1, MNLM117-X Rev 0A0, MNLM117-E Rev 0B1, MRLM117-X-RH Rev 2A0, MRLM117-K-RH Rev 3A0 will be archived.
06/29/06	B	Features, Ordering Information Table, Rad Hard Electrical Section for PFM and CFP packages and Notes	Deleted NSID LM117WGRQML, no longer available. Added Available with Radiation Ensured, Low Dose NSID's to table 5962R9951705VXA LM117HRLQMLV, 5962R9951705VZA LM117WGRLQMLV, and reference to Note 11 and 12. Note 12 to Rad Hard Electrical Heading for PFM and CFP packages. Note 12 to Notes. Archive Revision A.
11/30/2010	C	Features, Ordering Table, Absolute Ratings, LM117H, WG and K RH Drift Electrical Table	Added radiation info., Update with current device information and format, T0–39 Pkg weight, $V_o$ (Recov). Revision B will be Archived.
09/06/2011	D	Ordering Information, Absolute Ratings	Order Info: Added 'GW' NSIDS and SMD numbers. Abs Max Ratings: Added 'GW' Theta JA and Theta JC along with 'GW' weight. Revision C will be Archived. Deleted Ordering Information table.
04/17/2013	D		Changed layout of National Data Sheet to TI format.

**PACKAGING INFORMATION**

Orderable Device	Status (1)	Package Type	Package Drawing	Pins	Package Qty	Eco Plan (2)	Lead/Ball Finish (6)	MSL Peak Temp (3)	Op Temp (°C)	Device Marking (4/5)	Samples
5962R9951703V9A	ACTIVE	DIESALE	Y	0	42	Green (RoHS & no Sb/Br)	Call TI	Level-1-NA-UNLIM	-55 to 125		<a href="#">Samples</a>
5962R9951703VXA	ACTIVE	TO	NDT	3	20	TBD	Call TI	Call TI	-55 to 125	LM117HRQMLV 5962R9951703VXA Q ACO 5962R9951703VXA Q >T	<a href="#">Samples</a>
5962R9951704VYA	ACTIVE	TO	K	2	50	TBD	Call TI	Call TI	-55 to 125	LM117KRQMLV 5962R99517 04VYA Q ACO 04VYA Q >T	<a href="#">Samples</a>
5962R9951705V9A	ACTIVE	DIESALE	Y	0	42	Green (RoHS & no Sb/Br)	Call TI	Level-1-NA-UNLIM	-55 to 125		<a href="#">Samples</a>
5962R9951705VXA	ACTIVE	TO	NDT	3	20	TBD	Call TI	Call TI	-55 to 125	LM117HRLQMLV 5962R9951705VXA Q ACO 5962R9951705VXA Q >T	<a href="#">Samples</a>
5962R9951706VZA	ACTIVE	CFP	NAC	16	42	TBD	Call TI	Call TI	-55 to 125	LM117GWR QMLV Q 5962R99517 06VZA ACO 06VZA >T	<a href="#">Samples</a>
5962R9951707VZA	ACTIVE	CFP	NAC	16	42	TBD	Call TI	Call TI	-55 to 125	LM117GWRL QMLV Q 5962R99517 07VZA ACO 07VZA >T	<a href="#">Samples</a>
LM117E/883	ACTIVE	LCCC	NAJ	20	50	TBD	Call TI	Call TI	-55 to 125	LM117E /883 Q ACO /883 Q >T	<a href="#">Samples</a>
LM117GW/883	ACTIVE	CFP	NAC	16	42	TBD	Call TI	Call TI		LM117GW /883 Q ACO /883 Q >T	<a href="#">Samples</a>
LM117GWRLQMLV	ACTIVE	CFP	NAC	16	42	TBD	Call TI	Call TI	-55 to 125	LM117GWRL QMLV Q 5962R99517	<a href="#">Samples</a>

Orderable Device	Status (1)	Package Type	Package Drawing	Pins	Package Qty	Eco Plan (2)	Lead/Ball Finish (6)	MSL Peak Temp (3)	Op Temp (°C)	Device Marking (4/5)	Samples
										07VZA ACO 07VZA >T	
LM117GWRQMLV	ACTIVE	CFP	NAC	16	42	TBD	Call TI	Call TI	-55 to 125	LM117GWR QMLV Q 5962R99517 06VZA ACO 06VZA >T	<a href="#">Samples</a>
LM117H MD8	ACTIVE	DIESALE	Y	0	196	Green (RoHS & no Sb/Br)	Call TI	Level-1-NA-UNLIM	-55 to 125		<a href="#">Samples</a>
LM117H MDE	ACTIVE	DIESALE	Y	0	42	Green (RoHS & no Sb/Br)	Call TI	Level-1-NA-UNLIM	-55 to 125		<a href="#">Samples</a>
LM117H MDR	ACTIVE	DIESALE	Y	0	42	Green (RoHS & no Sb/Br)	Call TI	Level-1-NA-UNLIM	-55 to 125		<a href="#">Samples</a>
LM117H/883	ACTIVE	TO	NDT	3	20	TBD	Call TI	Call TI	-55 to 125	LM117H/883 Q ACO LM117H/883 Q >T	<a href="#">Samples</a>
LM117HRLQMLV	ACTIVE	TO	NDT	3	20	TBD	Call TI	Call TI	-55 to 125	LM117HRLQMLV 5962R9951705VXA Q ACO 5962R9951705VXA Q >T	<a href="#">Samples</a>
LM117HRQMLV	ACTIVE	TO	NDT	3	20	TBD	Call TI	Call TI	-55 to 125	LM117HRQMLV 5962R9951703VXA Q ACO 5962R9951703VXA Q >T	<a href="#">Samples</a>
LM117K/883	ACTIVE	TO	K	2	50	TBD	Call TI	Call TI	-55 to 125	LM117K /883 Q ACO /883 Q >T	<a href="#">Samples</a>
LM117KG MD8	ACTIVE	DIESALE	Y	0	196	Green (RoHS & no Sb/Br)	Call TI	Level-1-NA-UNLIM	-55 to 125		<a href="#">Samples</a>
LM117KRQMLV	ACTIVE	TO	K	2	50	TBD	Call TI	Call TI	-55 to 125	LM117KRQMLV 5962R99517 04VYA Q ACO 04VYA Q >T	<a href="#">Samples</a>

(1) The marketing status values are defined as follows:

**ACTIVE:** Product device recommended for new designs.

**LIFEBUY:** TI has announced that the device will be discontinued, and a lifetime-buy period is in effect.

**NRND:** Not recommended for new designs. Device is in production to support existing customers, but TI does not recommend using this part in a new design.

**PREVIEW:** Device has been announced but is not in production. Samples may or may not be available.

**OBSELETE:** TI has discontinued the production of the device.

<sup>(2)</sup> **RoHS:** TI defines "RoHS" to mean semiconductor products that are compliant with the current EU RoHS requirements for all 10 RoHS substances, including the requirement that RoHS substance do not exceed 0.1% by weight in homogeneous materials. Where designed to be soldered at high temperatures, "RoHS" products are suitable for use in specified lead-free processes. TI may reference these types of products as "Pb-Free".

**RoHS Exempt:** TI defines "RoHS Exempt" to mean products that contain lead but are compliant with EU RoHS pursuant to a specific EU RoHS exemption.

**Green:** TI defines "Green" to mean the content of Chlorine (Cl) and Bromine (Br) based flame retardants meet JS709B low halogen requirements of  $\leq 1000$ ppm threshold. Antimony trioxide based flame retardants must also meet the  $\leq 1000$ ppm threshold requirement.

<sup>(3)</sup> MSL, Peak Temp. - The Moisture Sensitivity Level rating according to the JEDEC industry standard classifications, and peak solder temperature.

<sup>(4)</sup> There may be additional marking, which relates to the logo, the lot trace code information, or the environmental category on the device.

<sup>(5)</sup> Multiple Device Markings will be inside parentheses. Only one Device Marking contained in parentheses and separated by a "~" will appear on a device. If a line is indented then it is a continuation of the previous line and the two combined represent the entire Device Marking for that device.

<sup>(6)</sup> Lead/Ball Finish - Orderable Devices may have multiple material finish options. Finish options are separated by a vertical ruled line. Lead/Ball Finish values may wrap to two lines if the finish value exceeds the maximum column width.

**Important Information and Disclaimer:** The information provided on this page represents TI's knowledge and belief as of the date that it is provided. TI bases its knowledge and belief on information provided by third parties, and makes no representation or warranty as to the accuracy of such information. Efforts are underway to better integrate information from third parties. TI has taken and continues to take reasonable steps to provide representative and accurate information but may not have conducted destructive testing or chemical analysis on incoming materials and chemicals. TI and TI suppliers consider certain information to be proprietary, and thus CAS numbers and other limited information may not be available for release.

In no event shall TI's liability arising out of such information exceed the total purchase price of the TI part(s) at issue in this document sold by TI to Customer on an annual basis.

**OTHER QUALIFIED VERSIONS OF LM117QML, LM117QML-SP :**

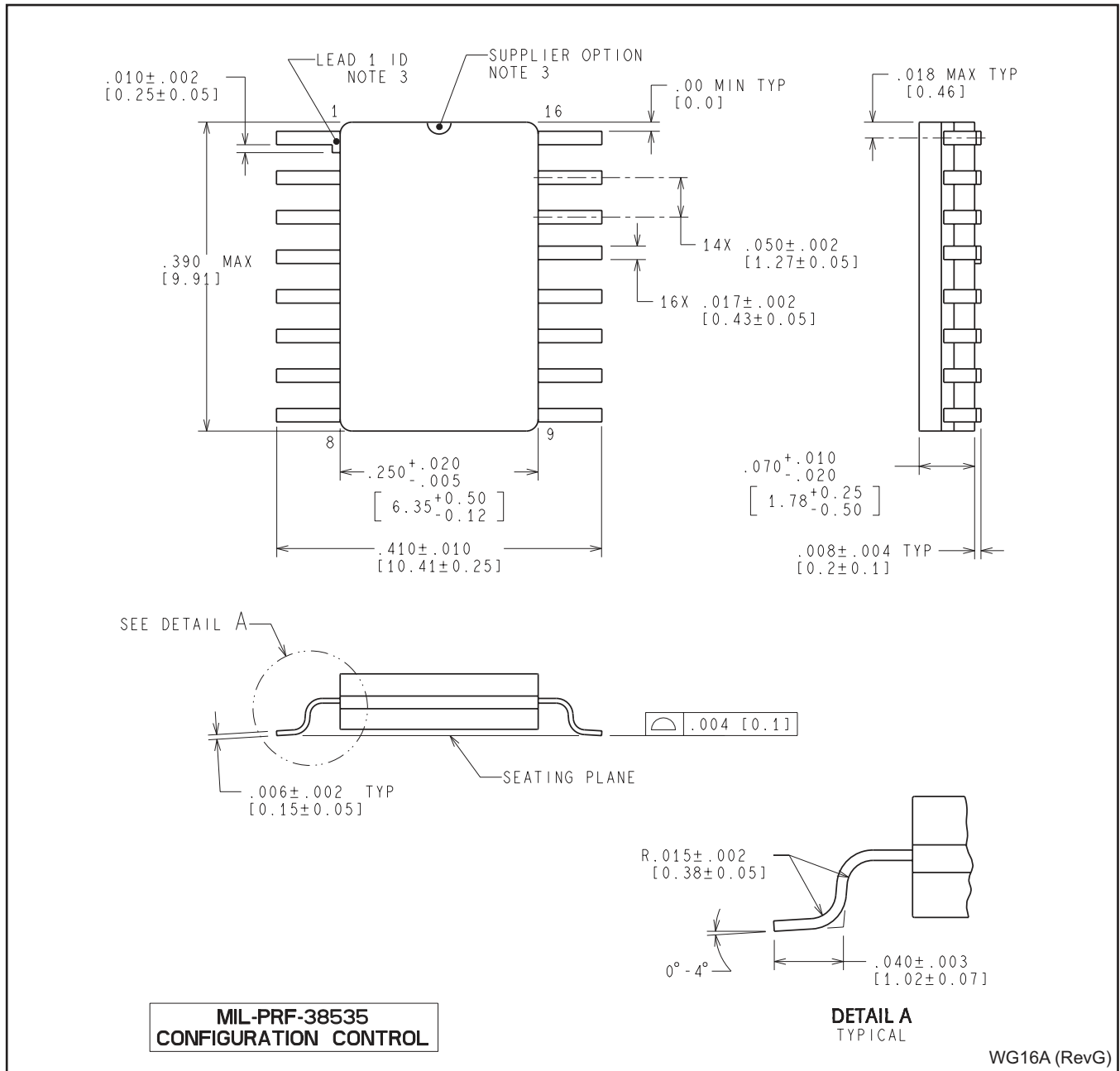
● Military: [LM117QML](#)

● Space: [LM117QML-SP](#)

NOTE: Qualified Version Definitions:

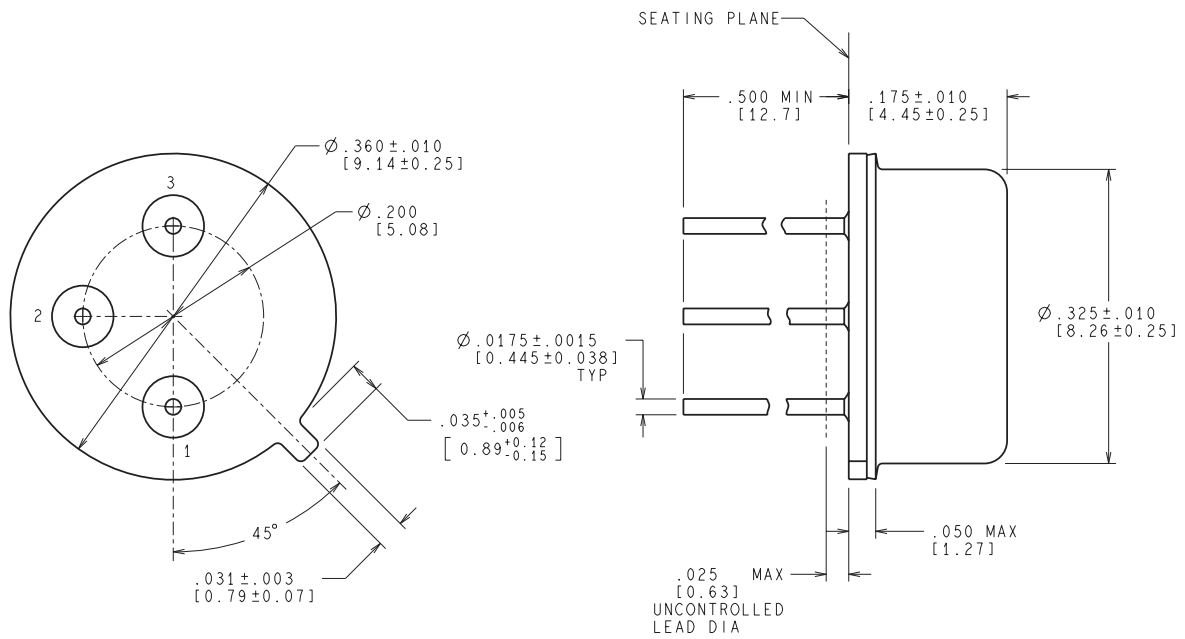
- Military - QML certified for Military and Defense Applications
- Space - Radiation tolerant, ceramic packaging and qualified for use in Space-based application

NAC0016A





NDT0003A

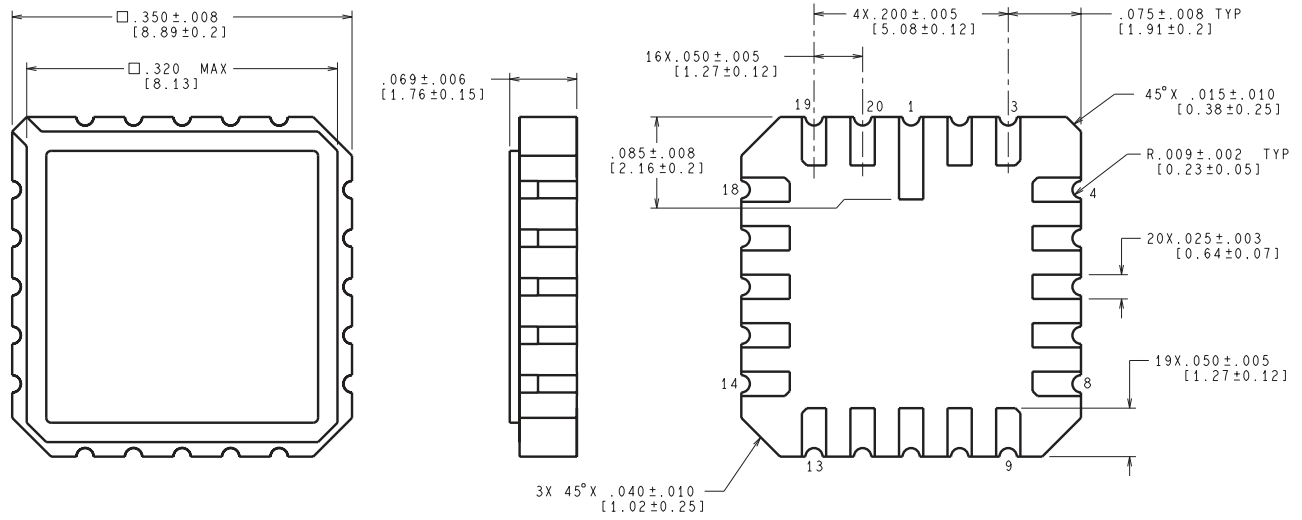


CONTROLLING DIMENSION IS INCH  
VALUES IN [ ] ARE MILLIMETERS

MIL-PRF-38535  
CONFIGURATION CONTROL

H03A (Rev D)

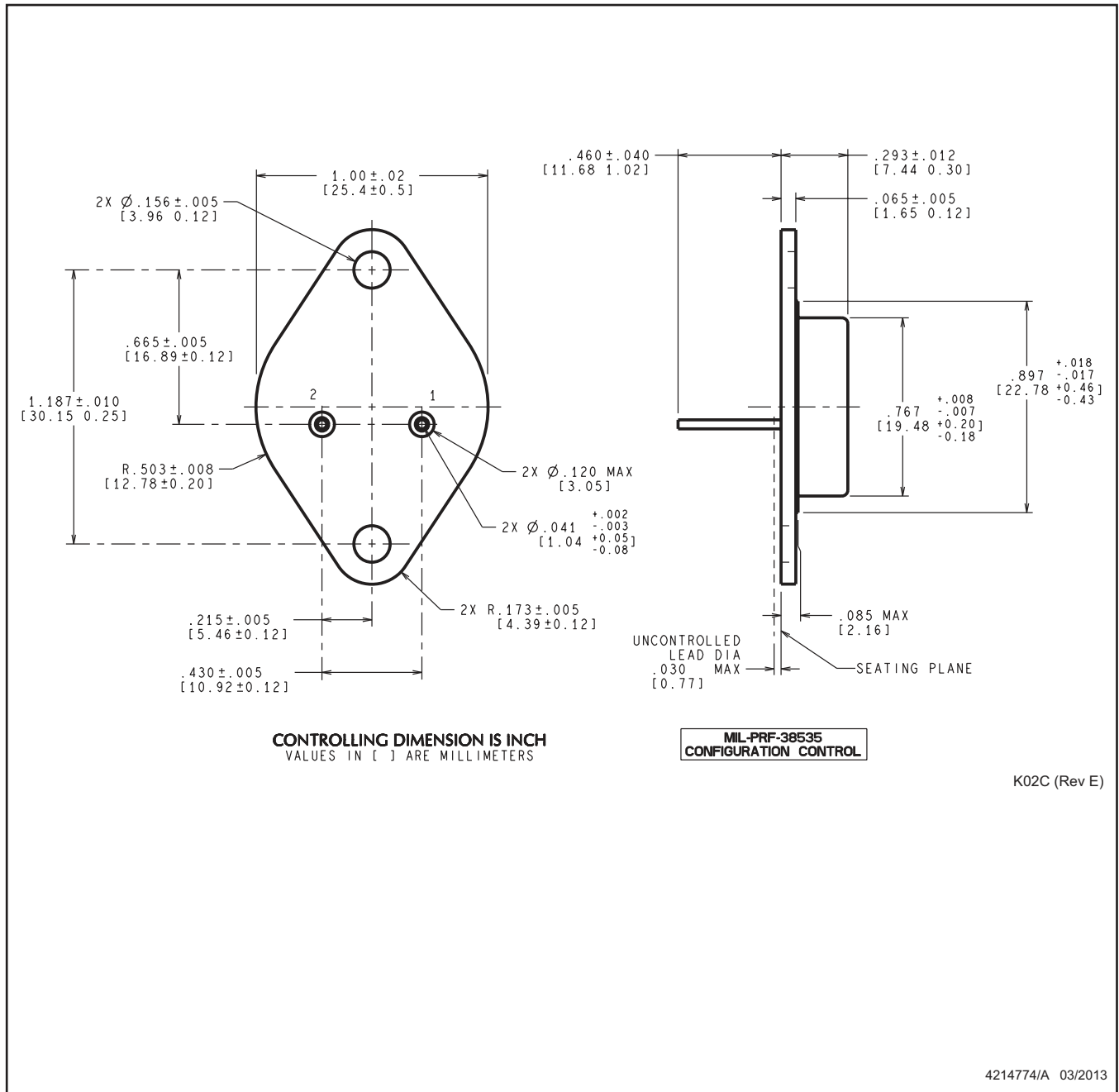
NAJ0020A



CONTROLLING DIMENSION IS INCH  
VALUES IN [ ] ARE MILLIMETERS

E20A (Rev F)

K0002C



NOTES:

1. All linear dimensions are in millimeters. Dimensions in parenthesis are for reference only. Dimensioning and tolerancing per ASME Y14.5M.
2. This drawing is subject to change without notice.
3. Leads not to be bent greater than 15°

## IMPORTANT NOTICE

Texas Instruments Incorporated (TI) reserves the right to make corrections, enhancements, improvements and other changes to its semiconductor products and services per JESD46, latest issue, and to discontinue any product or service per JESD48, latest issue. Buyers should obtain the latest relevant information before placing orders and should verify that such information is current and complete.

TI's published terms of sale for semiconductor products (<http://www.ti.com/sc/docs/stdterms.htm>) apply to the sale of packaged integrated circuit products that TI has qualified and released to market. Additional terms may apply to the use or sale of other types of TI products and services.

Reproduction of significant portions of TI information in TI data sheets is permissible only if reproduction is without alteration and is accompanied by all associated warranties, conditions, limitations, and notices. TI is not responsible or liable for such reproduced documentation. Information of third parties may be subject to additional restrictions. Resale of TI products or services with statements different from or beyond the parameters stated by TI for that product or service voids all express and any implied warranties for the associated TI product or service and is an unfair and deceptive business practice. TI is not responsible or liable for any such statements.

Buyers and others who are developing systems that incorporate TI products (collectively, "Designers") understand and agree that Designers remain responsible for using their independent analysis, evaluation and judgment in designing their applications and that Designers have full and exclusive responsibility to assure the safety of Designers' applications and compliance of their applications (and of all TI products used in or for Designers' applications) with all applicable regulations, laws and other applicable requirements. Designer represents that, with respect to their applications, Designer has all the necessary expertise to create and implement safeguards that (1) anticipate dangerous consequences of failures, (2) monitor failures and their consequences, and (3) lessen the likelihood of failures that might cause harm and take appropriate actions. Designer agrees that prior to using or distributing any applications that include TI products, Designer will thoroughly test such applications and the functionality of such TI products as used in such applications.

TI's provision of technical, application or other design advice, quality characterization, reliability data or other services or information, including, but not limited to, reference designs and materials relating to evaluation modules, (collectively, "TI Resources") are intended to assist designers who are developing applications that incorporate TI products; by downloading, accessing or using TI Resources in any way, Designer (individually or, if Designer is acting on behalf of a company, Designer's company) agrees to use any particular TI Resource solely for this purpose and subject to the terms of this Notice.

TI's provision of TI Resources does not expand or otherwise alter TI's applicable published warranties or warranty disclaimers for TI products, and no additional obligations or liabilities arise from TI providing such TI Resources. TI reserves the right to make corrections, enhancements, improvements and other changes to its TI Resources. TI has not conducted any testing other than that specifically described in the published documentation for a particular TI Resource.

Designer is authorized to use, copy and modify any individual TI Resource only in connection with the development of applications that include the TI product(s) identified in such TI Resource. NO OTHER LICENSE, EXPRESS OR IMPLIED, BY ESTOPPEL OR OTHERWISE TO ANY OTHER TI INTELLECTUAL PROPERTY RIGHT, AND NO LICENSE TO ANY TECHNOLOGY OR INTELLECTUAL PROPERTY RIGHT OF TI OR ANY THIRD PARTY IS GRANTED HEREIN, including but not limited to any patent right, copyright, mask work right, or other intellectual property right relating to any combination, machine, or process in which TI products or services are used. Information regarding or referencing third-party products or services does not constitute a license to use such products or services, or a warranty or endorsement thereof. Use of TI Resources may require a license from a third party under the patents or other intellectual property of the third party, or a license from TI under the patents or other intellectual property of TI.

TI RESOURCES ARE PROVIDED "AS IS" AND WITH ALL FAULTS. TI DISCLAIMS ALL OTHER WARRANTIES OR REPRESENTATIONS, EXPRESS OR IMPLIED, REGARDING RESOURCES OR USE THEREOF, INCLUDING BUT NOT LIMITED TO ACCURACY OR COMPLETENESS, TITLE, ANY EPIDEMIC FAILURE WARRANTY AND ANY IMPLIED WARRANTIES OF MERCHANTABILITY, FITNESS FOR A PARTICULAR PURPOSE, AND NON-INFRINGEMENT OF ANY THIRD PARTY INTELLECTUAL PROPERTY RIGHTS. TI SHALL NOT BE LIABLE FOR AND SHALL NOT DEFEND OR INDEMNIFY DESIGNER AGAINST ANY CLAIM, INCLUDING BUT NOT LIMITED TO ANY INFRINGEMENT CLAIM THAT RELATES TO OR IS BASED ON ANY COMBINATION OF PRODUCTS EVEN IF DESCRIBED IN TI RESOURCES OR OTHERWISE. IN NO EVENT SHALL TI BE LIABLE FOR ANY ACTUAL, DIRECT, SPECIAL, COLLATERAL, INDIRECT, PUNITIVE, INCIDENTAL, CONSEQUENTIAL OR EXEMPLARY DAMAGES IN CONNECTION WITH OR ARISING OUT OF TI RESOURCES OR USE THEREOF, AND REGARDLESS OF WHETHER TI HAS BEEN ADVISED OF THE POSSIBILITY OF SUCH DAMAGES.

Unless TI has explicitly designated an individual product as meeting the requirements of a particular industry standard (e.g., ISO/TS 16949 and ISO 26262), TI is not responsible for any failure to meet such industry standard requirements.

Where TI specifically promotes products as facilitating functional safety or as compliant with industry functional safety standards, such products are intended to help enable customers to design and create their own applications that meet applicable functional safety standards and requirements. Using products in an application does not by itself establish any safety features in the application. Designers must ensure compliance with safety-related requirements and standards applicable to their applications. Designer may not use any TI products in life-critical medical equipment unless authorized officers of the parties have executed a special contract specifically governing such use. Life-critical medical equipment is medical equipment where failure of such equipment would cause serious bodily injury or death (e.g., life support, pacemakers, defibrillators, heart pumps, neurostimulators, and implantables). Such equipment includes, without limitation, all medical devices identified by the U.S. Food and Drug Administration as Class III devices and equivalent classifications outside the U.S.

TI may expressly designate certain products as completing a particular qualification (e.g., Q100, Military Grade, or Enhanced Product). Designers agree that it has the necessary expertise to select the product with the appropriate qualification designation for their applications and that proper product selection is at Designers' own risk. Designers are solely responsible for compliance with all legal and regulatory requirements in connection with such selection.

Designer will fully indemnify TI and its representatives against any damages, costs, losses, and/or liabilities arising out of Designer's non-compliance with the terms and provisions of this Notice.