

4

3

2

1

THIS DRAWING IS UNPUBLISHED.

RELEASED FOR PUBLICATION

2009

© COPYRIGHT 2009

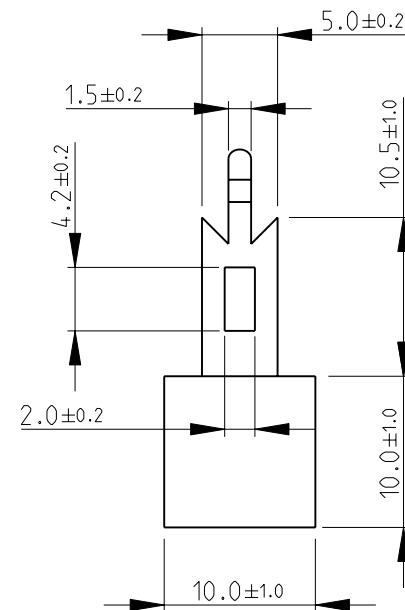
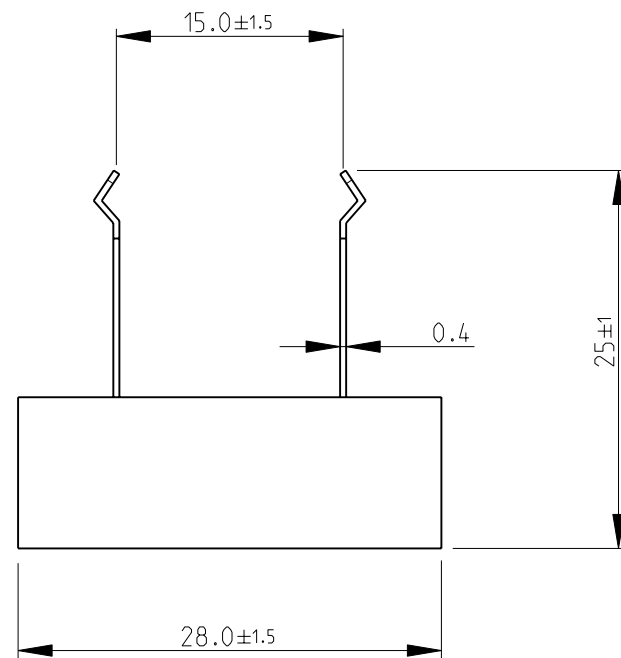
BY TYCO ELECTRONICS CORPORATION. ALL INTERNATIONAL RIGHTS RESERVED.

LOC
E

DIST
B

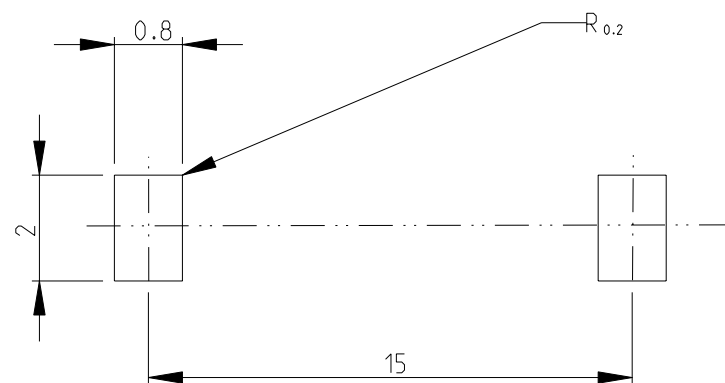
REVISIONS

P	LTR	DESCRIPTION	DATE	DWN	APVD
	BA	NEW RELEASE	14OCT2010	PT	St.P

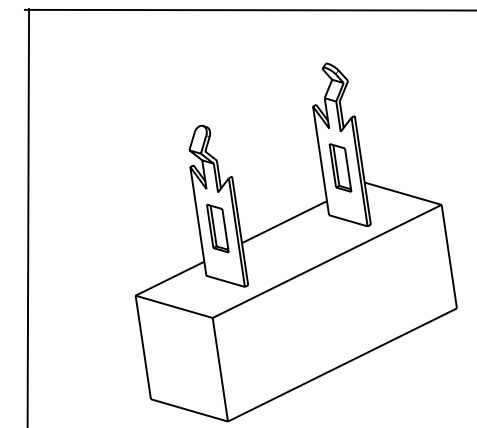


FOR FURTHER INFORMATION SEE DATA SHEET FOR HIGH POWER RESISTORS OF SQ SERIES

P.C.B HOLE DIMENSIONS



RoHS Compliant



THIS DRAWING IS A CONTROLLED DOCUMENT FOR TYCO ELECTRONICS CORPORATION IT IS SUBJECT TO CHANGE AND THE CONTROLLING ENGINEERING ORGANIZATION SHOULD BE CONTACTED FOR THE LATEST REVISION.

DWN 14OCT2010 PARUSURAM.T

CHK 14OCT2010 ALLAN.P

APVD 14OCT2010 STEPHEN.P

PRODUCT SPEC -

APPLICATION SPEC -

WEIGHT -

CUSTOMER DRAWING

Tyco Electronics Tyco Electronics Corporation Dorcan, Swindon, SN3 5HH

NAME HIGH POWER RESISTORS SERIES SQZ5

SIZE A3 CAGE CODE 00779 DRAWING NO C-1623807 RESTRICTED TO -

SCALE 1:1 SHEET 1 OF 1 REV BA

DIMENSIONS:	TOLERANCES UNLESS OTHERWISE SPECIFIED:
mm	
0 PLC	±0.2
1 PLC	±0.1
2 PLC	±
3 PLC	±
4 PLC	±
ANGLES	±5°
MATERIAL -	FINISH -