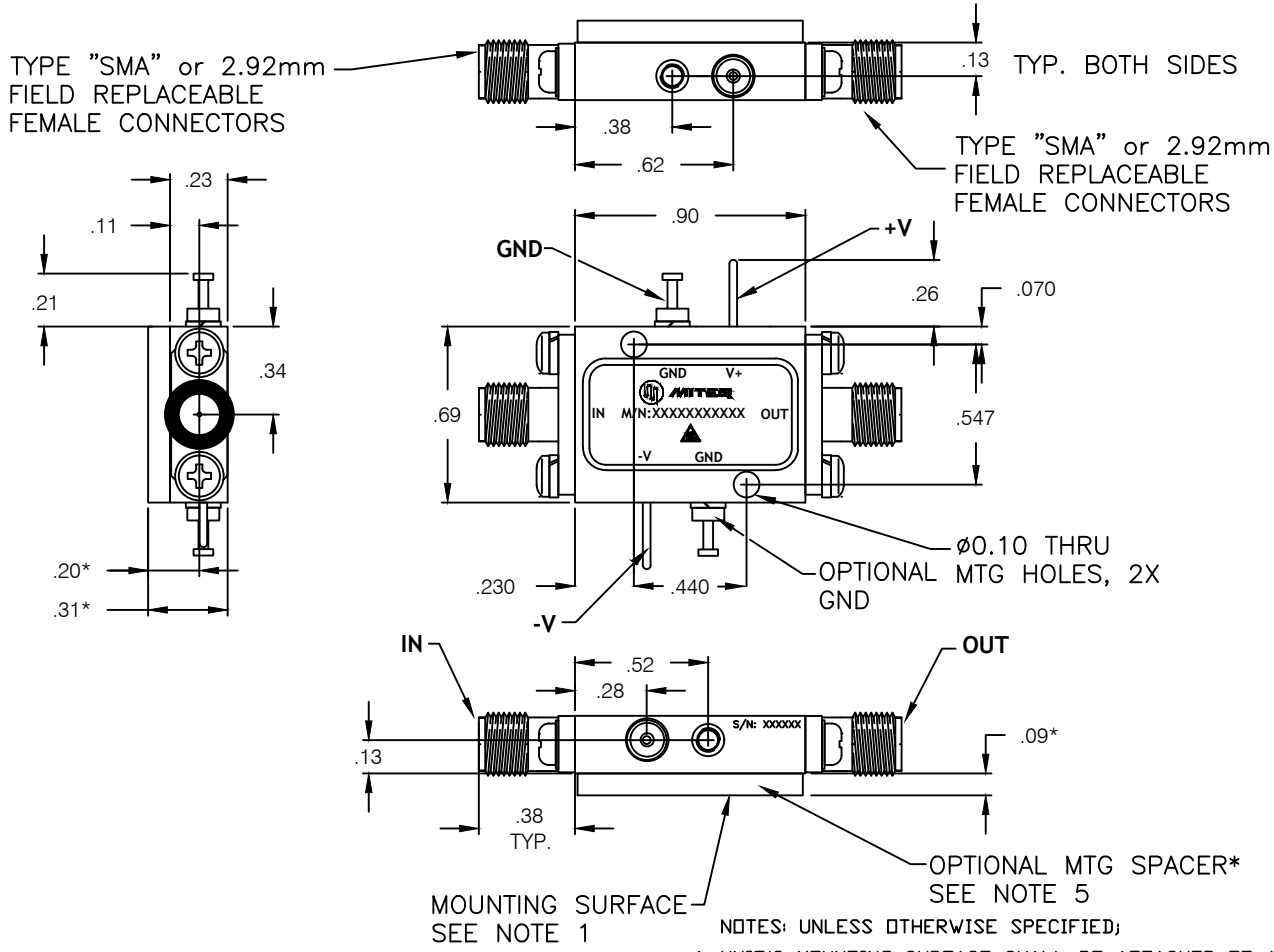


DASH NO.	APPLICATION		REVISIONS			
	NEXT ASSY	USED ON	LTR	DESCRIPTION	DATE	APPROVED
	141404	MARKING	J	Incorporated ECN 40345		
PRINT NOT ON AUTOMATIC DISTRIBUTION VERIFY REVISION PRIOR TO USE						



- NOTES: UNLESS OTHERWISE SPECIFIED;
- UNIT'S MOUNTING SURFACE SHALL BE ATTACHED TO A HEAT SINK CAPABLE OF DISSIPATING THE DEVICES POWER CONSUMPTION WITHOUT EXCEEDING THE OPERATING TEMPERATURE LIMITS.
  - REFER TO THE ACTUAL DEVICES SPECIFICATION SHEET FOR BIAS REQUIREMENTS. NEGATIVE BIAS INPUT VOLTAGE (V-) MAY NOT BE INCLUDED ON CERTAIN MODELS.
  - UNLESS NOTED ON THE SPECIFICATION SHEET, WHEN NEGATIVE BIAS IS REQUIRED, DO NOT POWER THE UNIT WITH POSITIVE BIAS FOR MORE THAN 1 SECOND WITHOUT NEGATIVE BIAS BEING APPLIED.
  - FINISH: GOLD PER ASTM-B-488 TYPE III CODE A
  - \*OPTIONAL SPACER: DIMENSION WITH ASTERISKS [\*] INCLUDE SPACER FINISH- TRIVALENT CHROMATE CONVERSION PER MIL-DTL-C-5541, TYPE II, CLASS 3.

THESE ITEM(S)/TECHNOLOGY CONTAIN INFORMATION SUBJECT TO U.S. GOVERNMENT EXPORT CONTROL IN ACCORDANCE WITH THE EXPORT ADMINISTRATION REGULATIONS (EAR), 15 CFR PARTS 730-744. EXPORT OF THIS DATA TO ANY FOREIGN COUNTRY OR DISCLOSURE OF THIS DATA TO ANY NON-US PERSON MAY BE A VIOLATION OF FEDERAL LAW.

**Narda-MITEQ PROPRIETARY**  
 THIS DOCUMENT CONTAINS INFORMATION WHICH IS PROPRIETARY TO Narda-MITEQ. THE CONTENTS SHALL NOT BE DISCLOSED, COPIED, DISTRIBUTED, OR USED UNLESS AUTHORIZED BY AN OFFICER OF Narda-MITEQ. UNLESS

UNLESS OTHERWISE SPECIFIED DIMENSIONS ARE IN INCHES TOLERANCES ON	NAME	DATE
DECIMAL .X ±0.1 [2.5]	DWN <i>L. Cardinal</i>	02/13/01
DECIMAL .XX ±0.01 [0.25]	DFT DES <i>Jeffrey Lewis</i>	2/20/2018
DECIMAL .XXX ±0.005 [0.13]	PROJ ENGR <i>J. Zafonte</i>	2/15/2018
ANGLES X° ±30'	MFG ENGR <i>J. Zafonte</i>	2/15/2018
PROJECTION	Q.C.	
	CUST	



435 MORELAND RD HAUPPAUGE, NY 11788

**OUTLINE DRAWING**  
 Active 2 Port  
 MIC MM PKG

SIZE	CODE IDENT. NO.		REV
A	99899	140904	J
SCALE	PROJECT P100311	SHEET 1 OF 1	