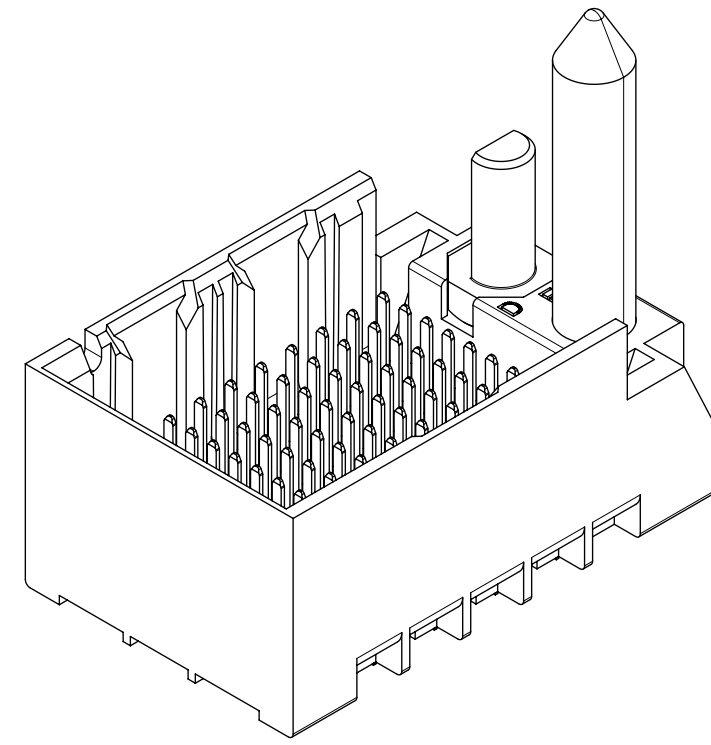


- NOTES:**
1. MATERIALS: HOUSING - LIQUID CRYSTAL POLYMER (LCP)
GLASS-FILLED, UL94V-0
TERMINALS - HIGH PERFORMANCE COPPER ALLOY
 2. FINISH: 30µ MIN GOLD IN CONTACT AREA.
SELECTIVE TIN ON PCB TAILS.
NICKEL OVERALL.
 3. REFER TO MOLEX PRODUCT SPECIFICATION PS-76060-999
FOR PERFORMANCE SPECIFICATIONS AND ADDITIONAL PCB INFORMATION.
 4. THIS PART CONFORMS TO CLASS B REQUIREMENTS OF
MOLEX COSMETIC SPEC PS-45499-002.
 5. PACKAGE PER: PK-70873-758.
 6. SEE SHEETS 2 & 3 FOR PART NUMBERS AND BOARD RELATIONSHIPS.
 7. FOR GROUNDED GUIDE PINS USE DIA. 3.56 +/-0.08 (PTH)
DIA. 3.66 (DRILL) AND DIA 6.5 (PAD).
 8. MATES WITH IMPACT DC SERIES NO. 76170.
 9. KEEP OUT ZONE FOR BP HOUSING LENGTH INCLUDES AN ADDITIONAL 1.0MM
TO ACCOMMODATE FOR SPACE REQUIRED BY DC FRONT HOUSING.
 10. REFER TO MOLEX PCB ROUTING GUIDE AS-76060-990 FOR ANTIPAD AND ROUTING RECOMMENDATIONS.
 11. CONNECTORS SUPPLIED WITH A 2-56 UNC-2A SCREW.
 12. "THESE DIMENSIONS REPRESENT THE AREA NEEDED TO ACCOMMODATE CONNECTOR INSERTION AND
REPAIR ON THE PC BOARD. THIS IS REFERRED TO AS THE "CONNECTOR KEEP OUT ZONE" AND
DOES NOT REPRESENT THE ACTUAL PERIMETER OF THE CONNECTOR. WHEN LAYING OUT A PC BOARD
FOR CONNECTORS STACKED TOGETHER, USE A 1.9mm PROGRESSION."

| | | | | | | | | | | | |
|---|--|------------------------|--|-------------------------------|--|--------|--|-----------------|--|----------------|--|
| THIS DRAWING CONTAINS INFORMATION THAT IS PROPRIETARY TO MOLEX ELECTRONIC TECHNOLOGIES, LLC AND SHOULD NOT BE USED WITHOUT WRITTEN PERMISSION | | | | | | | | | | | |
| DIMENSION UNITS | | SCALE | | CURRENT REV DESC: UPDATE VIEW | | | | | | | |
| mm | | NTS | | | | | | | | | |
| GENERAL TOLERANCES (UNLESS SPECIFIED) | | | | EC NO: 614858 | | | | | | | |
| ANGULAR TOL ± 0.5° | | | | DRWN: HLG0H | | | | 2019/03/26 | | | |
| 4 PLACES ± | | | | CHK'D: YLLIM | | | | 2019/03/27 | | | |
| 3 PLACES ± | | | | APPR: DWLEE01 | | | | 2019/04/03 | | | |
| 2 PLACES ± 0.13 | | | | INITIAL REVISION: | | | | | | | |
| 1 PLACE ± 0.25 | | | | DRWN: MSANDBER | | | | 2007/09/11 | | | |
| 0 PLACES ± | | | | APPR: JLAURX | | | | 2007/09/11 | | | |
| DRAFT WHERE APPLICABLE MUST REMAIN WITHIN DIMENSIONS | | THIRD ANGLE PROJECTION | | DRAWING | | SERIES | | MATERIAL NUMBER | | CUSTOMER | |
| | | | | D-SIZE | | 76165 | | SEE TABLE | | GENERAL MARKET | |
| DOCUMENT STATUS | | | | P1 | | | | RELEASE DATE | | | |
| 2019/04/03 | | | | 14:28:39 | | | | | | | |
| DOCUMENT NUMBER | | | | DOC TYPE | | | | DOC PART | | | |
| SD-76165-003 | | | | PSD | | | | 001 | | | |
| REVISION | | | | REVISED BY | | | | DATE | | | |
| J4 | | | | | | | | | | | |
| SHEET NUMBER | | | | TOTAL SHEETS | | | | | | | |
| 1 OF 3 | | | | 3 | | | | | | | |

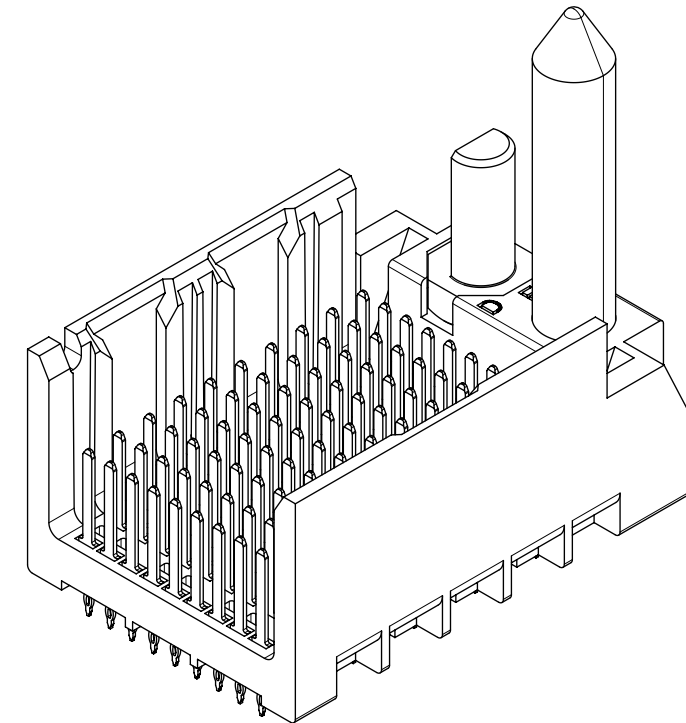
PART NUMBER CHART

| MATERIAL NUMBER | # OF COLUMNS | # OF DIFF PAIR | DIM "A" | DIM "B" | GUIDE RIGHT END WALL OPTION |
|-----------------|--------------|----------------|---------|---------|-----------------------------------|
| 76165-*3** | 6 | 18 | 19.3 | 9.50 | |
| 76165-*8** | 8 | 24 | 23.1 | 13.30 | |
| 76165-*1** | 10 | 30 | 26.9 | 17.10 | |
| 76165-*6** | 16 | 48 | 38.3 | 28.50 | |



GUIDE RIGHT
END WALL
OPTION

| MATERIAL NUMBER | # OF COLUMNS | # OF DIFF PAIR | DIM "A" | DIM "B" | GUIDE RIGHT OPEN WALL OPTION |
|-----------------|--------------|----------------|---------|---------|------------------------------------|
| 76165-*3** | 6 | 18 | 17.9 | 9.50 | |
| 76165-*8** | 8 | 24 | 21.7 | 13.30 | |
| 76165-*1** | 10 | 30 | 25.5 | 17.10 | |
| 76165-*6** | 16 | 48 | 36.9 | 28.50 | |



GUIDE RIGHT
OPEN WALL
OPTION

PART NUMBER LOGIC

76165- * * * *

MODULE TYPE

- 5 = GUIDE RIGHT, TIN
- 9 = GUIDE RIGHT END WALL, TIN

OF COLUMNS

- 1 = 10 COL
- 3 = 6 COL
- 6 = 16 COL
- 8 = 8 COL

PIN LENGTH (P)

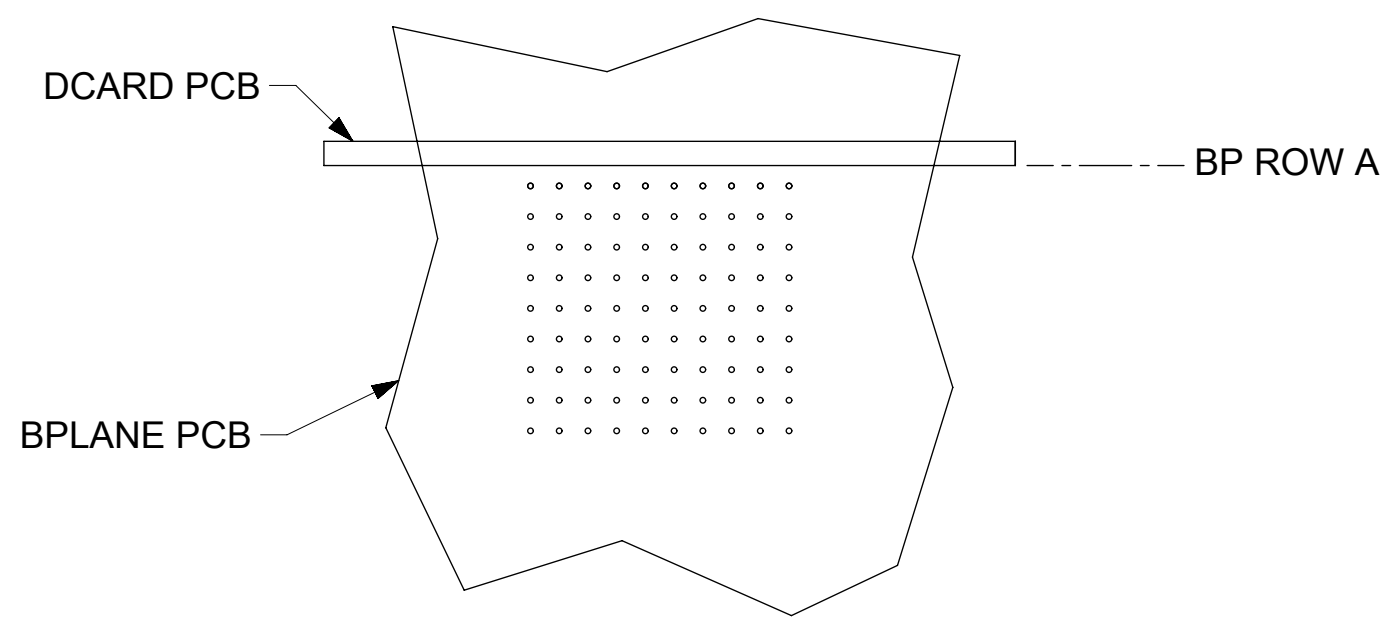
- 3 = 4.50 (SHORT COMPLIANT, 0.46±0.05 PTH)
- 4 = 4.90 (SHORT COMPLIANT, 0.46±0.05 PTH)
- 5 = 5.50 (SHORT COMPLIANT, 0.46±0.05 PTH)
- 6 = 4.50 (MICRO COMPLIANT, 0.39±0.05 PTH)
- 7 = 4.90 (MICRO COMPLIANT, 0.39±0.05 PTH)
- 8 = 5.50 (MICRO COMPLIANT, 0.39±0.05 PTH)

KEY ORIENTATION

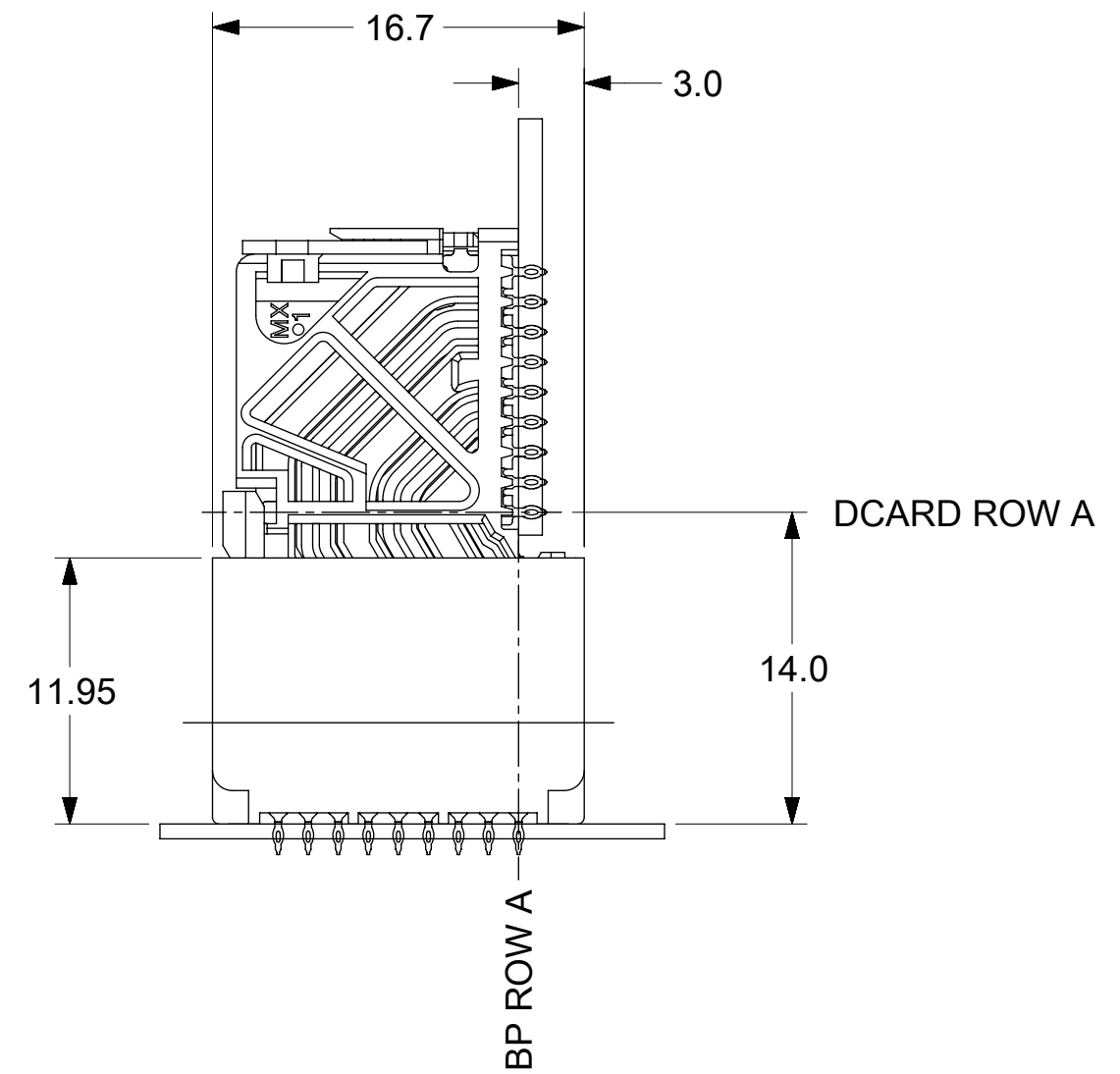
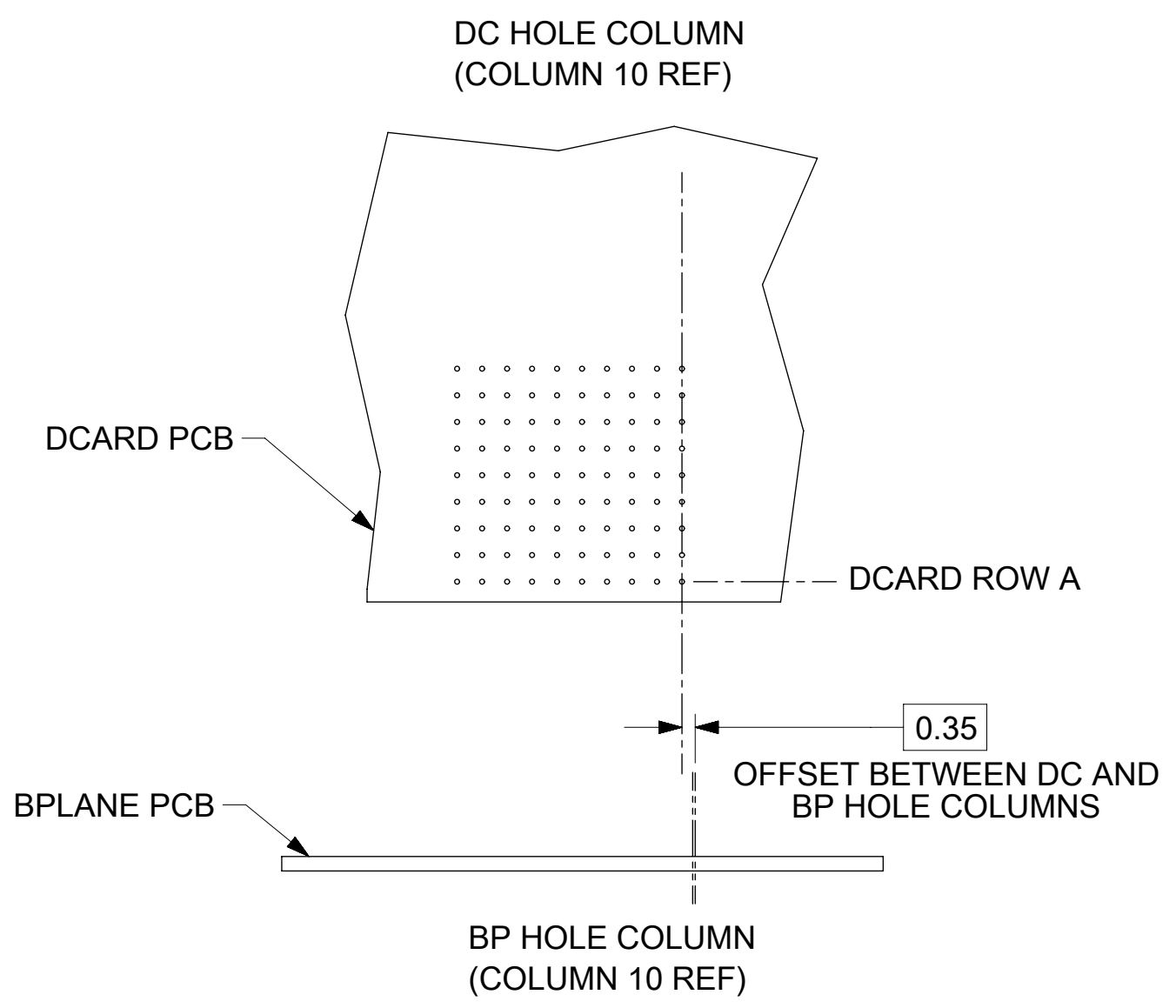
- 0 = NO KEY
- 1 = A
- 2 = B
- 3 = C
- 4 = D
- 5 = E
- 6 = F
- 7 = G
- 8 = H

| | | | | | | | | | |
|---|--|------------------------|--|-------------------------------|--|------------|--|--|--|
| THIS DRAWING CONTAINS INFORMATION THAT IS PROPRIETARY TO MOLEX ELECTRONIC TECHNOLOGIES, LLC AND SHOULD NOT BE USED WITHOUT WRITTEN PERMISSION | | | | | | | | | |
| DIMENSION UNITS | | SCALE | | CURRENT REV DESC: UPDATE VIEW | | | | molex | |
| mm | | NTS | | | | | | | |
| GENERAL TOLERANCES (UNLESS SPECIFIED) | | | | EC NO: 614858 | | | | IMPACT BP 3 PAIR RIGHT GUIDED ASSEMBLY SALESS DRAWING | |
| ANGULAR TOL | | ± 0.5° | | DRWN: HLG0H | | 2019/03/26 | | | |
| 4 PLACES | | ± | | CHK'D: YLLIM | | 2019/03/27 | | | |
| 3 PLACES | | ± | | APPR: DWLEE01 | | 2019/04/03 | | PRODUCT CUSTOMER DRAWING | |
| 2 PLACES | | ± 0.13 | | INITIAL REVISION: | | | | DOCUMENT NUMBER | |
| 1 PLACE | | ± 0.25 | | DRWN: MSANDBER | | 2007/09/11 | | SD-76165-003 | |
| 0 PLACES | | ± | | APPR: JLAURX | | 2007/09/11 | | DOC TYPE DOC PART REVISION | |
| DRAFT WHERE APPLICABLE MUST REMAIN WITHIN DIMENSIONS | | THIRD ANGLE PROJECTION | | DRAWING | | SERIES | | MATERIAL NUMBER CUSTOMER SHEET NUMBER | |
| | | | | C-SIZE | | 76165 | | SEE TABLE GENERAL MARKET 2 OF 3 | |

| | | | | |
|-----------------|----|--------------|------------|----------|
| DOCUMENT STATUS | P1 | RELEASE DATE | 2019/04/03 | 14:28:39 |
|-----------------|----|--------------|------------|----------|



**IMPACT 3 PAIR
BOARD RELATIONSHIPS**



| | | | | | | | | | |
|---|--|----------------|--|-------------------------------|--|------------|--|--|--|
| THIS DRAWING CONTAINS INFORMATION THAT IS PROPRIETARY TO MOLEX ELECTRONIC TECHNOLOGIES, LLC AND SHOULD NOT BE USED WITHOUT WRITTEN PERMISSION | | | | | | | | | |
| DIMENSION UNITS | | SCALE | | CURRENT REV DESC: UPDATE VIEW | | | | molex | |
| mm | | NTS | | | | | | | |
| GENERAL TOLERANCES (UNLESS SPECIFIED) | | | | EC NO: 614858 | | 2019/03/26 | | IMPACT BP 3 PAIR RIGHT GUIDED ASSEMBLY SALESS DRAWING | |
| ANGULAR TOL | | ± 0.5° | | DRWN: HLG0H | | 2019/03/27 | | | |
| 4 PLACES | | ± | | CHK'D: YLLIM | | 2019/04/03 | | PRODUCT CUSTOMER DRAWING | |
| 3 PLACES | | ± | | APPR: DWLEE01 | | | | | |
| 2 PLACES | | ± 0.13 | | INITIAL REVISION: | | | | DOCUMENT NUMBER | |
| 1 PLACE | | ± 0.25 | | DRWN: MSANDBER | | 2007/09/11 | | | |
| 0 PLACES | | ± | | APPR: JLAURX | | 2007/09/11 | | SD-76165-003 | |
| DRAFT WHERE APPLICABLE MUST REMAIN WITHIN DIMENSIONS | | | | THIRD ANGLE PROJECTION | | DRAWING | | SERIES | |
| | | | | | | C-SIZE | | 76165 | |
| MATERIAL NUMBER | | CUSTOMER | | DOC TYPE | | DOC PART | | REVISION | |
| SEE TABLE | | GENERAL MARKET | | PSD | | 001 | | J4 | |
| SHEET NUMBER | | | | | | | | 3 OF 3 | |

| | | | | |
|-----------------|----|--------------|------------|----------|
| DOCUMENT STATUS | P1 | RELEASE DATE | 2019/04/03 | 14:28:39 |
|-----------------|----|--------------|------------|----------|