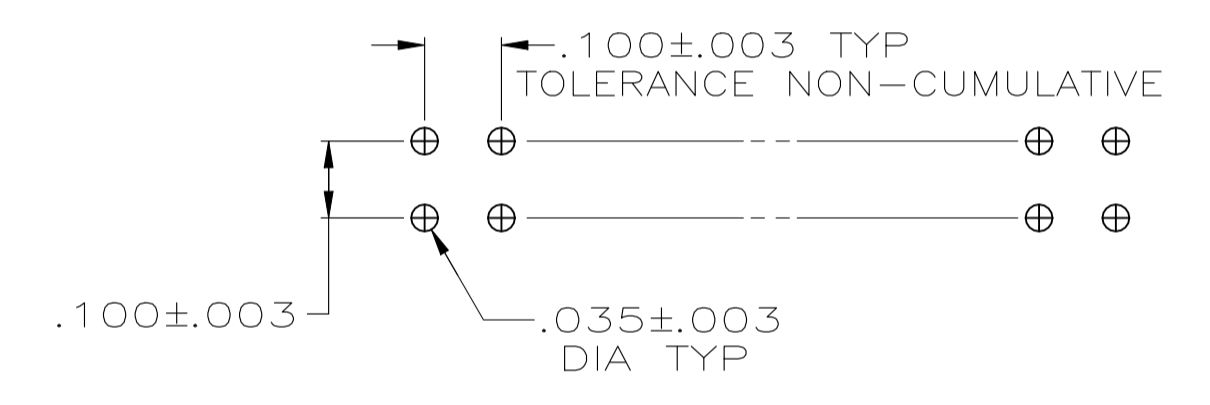
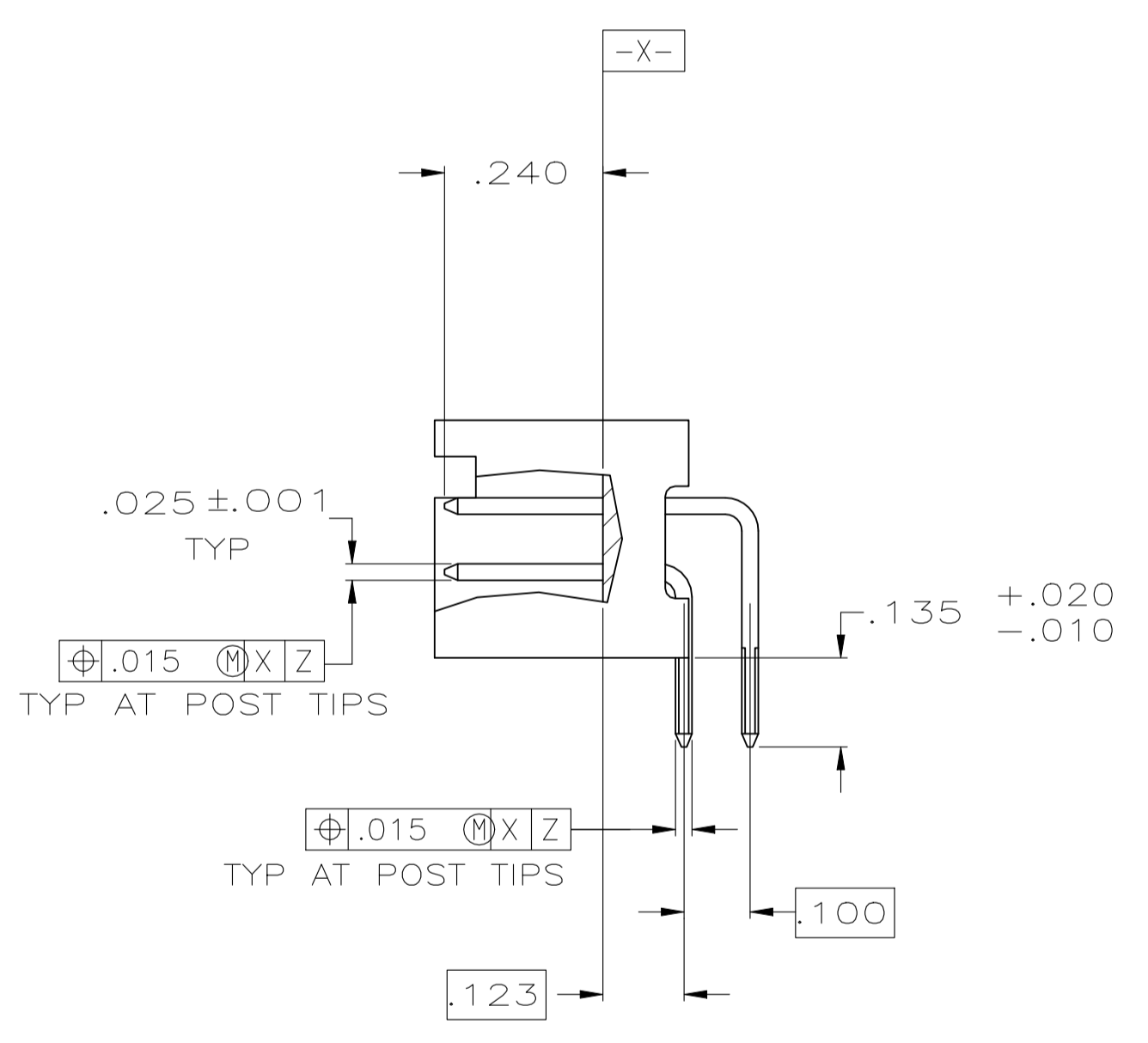
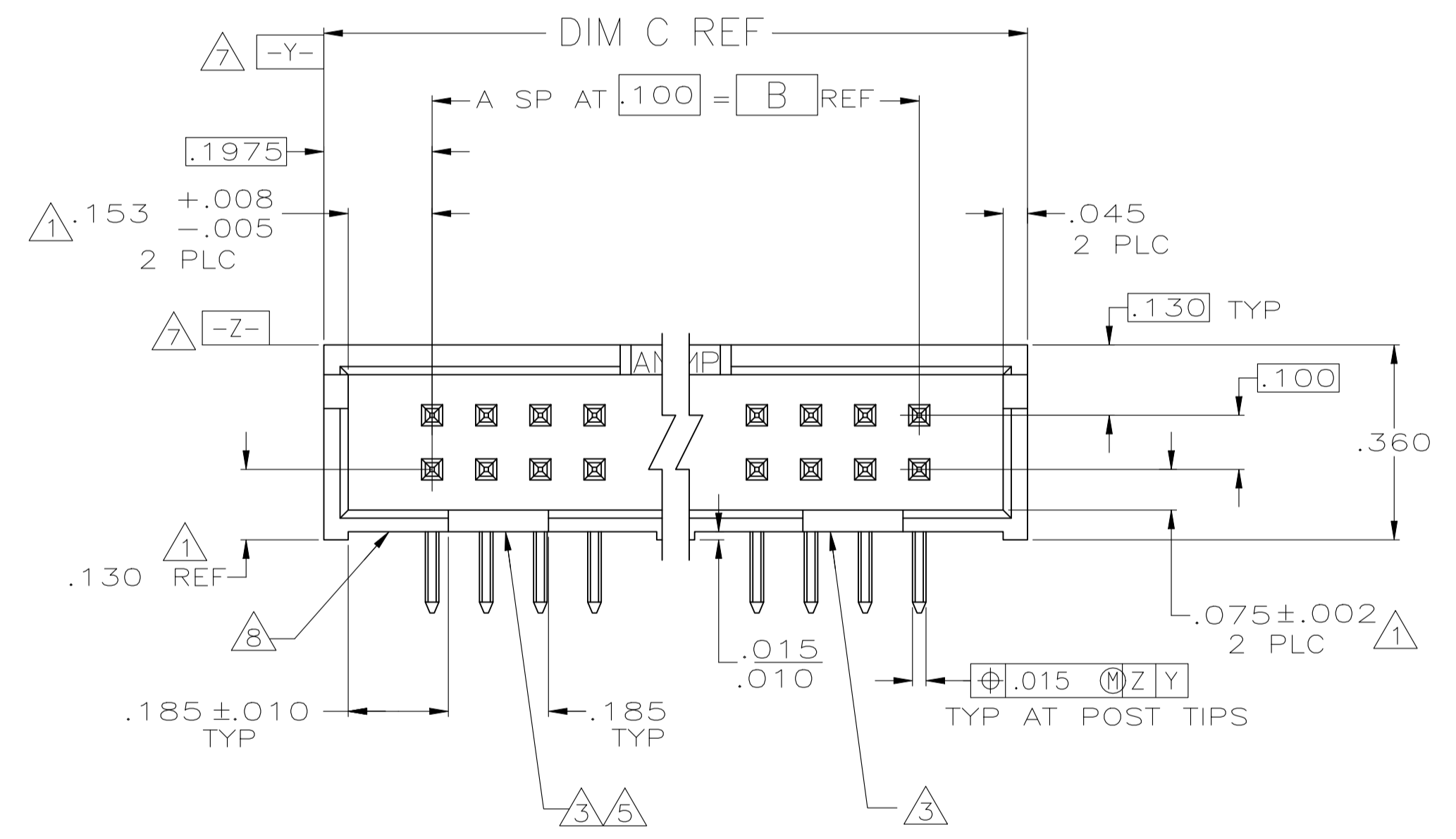
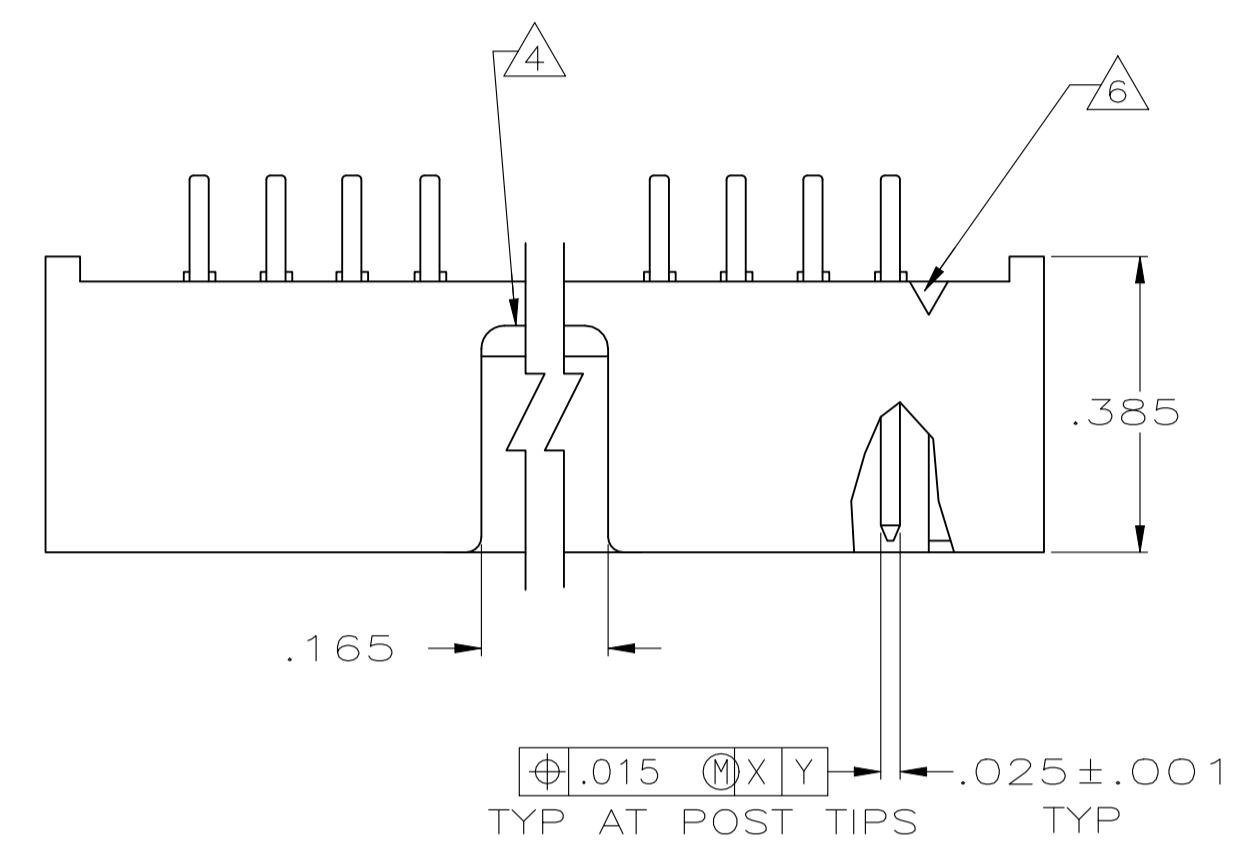


REVISIONS					
P	LTR	DESCRIPTION	DATE	DN	APVD
N1	REVISED PER	ECR-23-184741	23AUG2023	GC	WH

- 1 THE NOTED DIMENSIONS APPLY AT THE INTERSECTION OF THE POST AND HOUSING
- 2 POSTS: GOLD FLASH OVER PALLADIUM-NICKEL PLATE, .000015 MIN TOTAL ON THE MATING SURFACES, .000100 MIN TIN-LEAD PLATE ON THE SOLDER-TAILS, .000050 MIN NICKEL UNDERPLATE ON THE ENTIRE POST.
-OR-
.000015 MIN GOLD PLATE ON THE MATING SURFACES, .000100 MIN TIN-LEAD PLATE ON THE SOLDER-TAILS, .000050 MIN NICKEL UNDERPLATE ON THE ENTIRE POST.
- 3 DOUBLE BAR POLARIZATION
- 4 CENTER POLARIZATION SLOT
- 5 FOR 10 POSN ASSEMBLY, SLOT OMITTED WHERE INDICATED
- 6 NUMBER 1 POSITION INDICATOR.
- 7 DATUMS $-Y-$ AND $-Z-$ APPLY AT THE BASE OF THE SHROUD WALL.
- 8 OPTIONAL AMP IDENTIFICATION NUMBER (DATE CODE). LOCATION APPROXIMATELY WHERE SHOWN.



RECOMMENDED HOLE LAYOUT FOR MANUAL INSERTION

OBSOLETE	3.300	2.900	29	60	1-103310-2
OBSOLETE	3.100	2.700	27	56	1-103310-1
	2.800	2.400	24	50	1-103310-0
OBSOLETE	2.500	2.100	21	44	103310-9
	2.300	1.900	19	40	103310-8
	2.000	1.600	16	34	103310-7
	1.600	1.200	12	26	103310-6
	1.300	.900	9	20	103310-5
OBSOLETE	1.200	.800	8	18	103310-4
	1.100	.700	7	16	103310-3
	1.000	.600	6	14	103310-2
	.800	.400	4	10	103310-1
	C	B	A	NO OF POSN	ASSEMBLY PART NUMBER

THIS DRAWING IS A CONTROLLED DOCUMENT.

DIMENSIONS: INCHES	TOLERANCES UNLESS OTHERWISE SPECIFIED:	DIN 8-27-87	TE Connectivity
0 PLC ± -	1 PLC ± -	9-4-87	NAME: R. FLICKER
2 PLC ± -	3 PLC ± .005	9-4-87	PRODUCT SPEC: 108-40018
4 PLC ± -	ANGLES ± -		APPLICATION SPEC: -
MATERIAL: GLASS FILLED NYLON OR PBT, BLACK; UL 94V-0 RATED; POSTS: BRASS	FINISH: 2	WEIGHT: 0.000000	SIZE: A1
		CAGE CODE: 00779	DRAWING NO: 103310
		CUSTOMER DRAWING	RESTRICTED TO: -
		SCALE: 4:1	SHEET 1 OF 1
			REV: N1