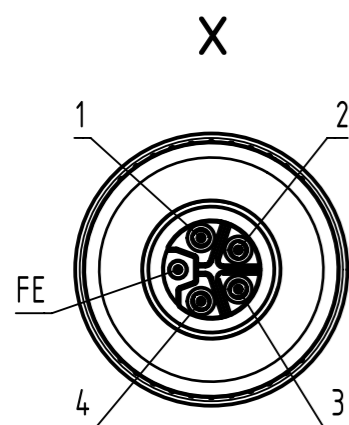
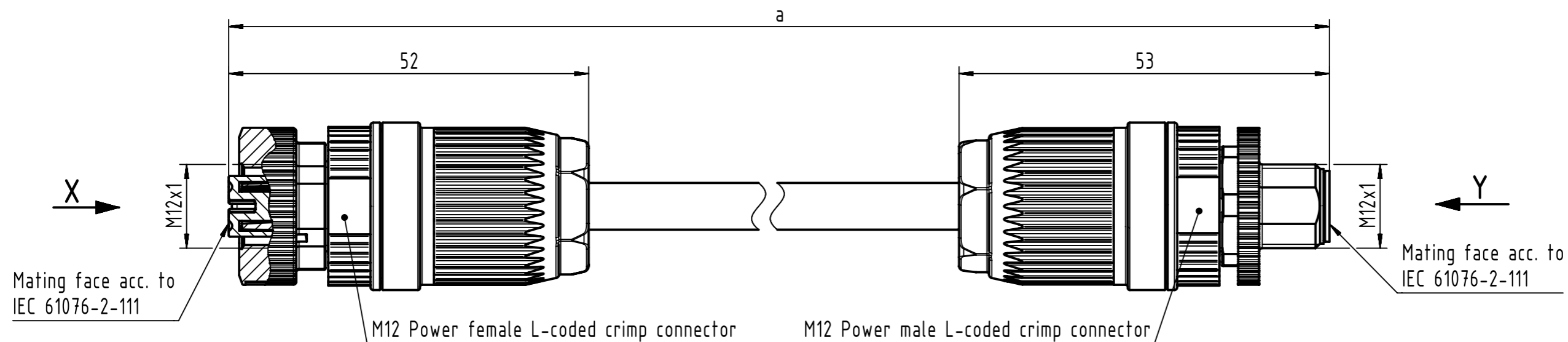


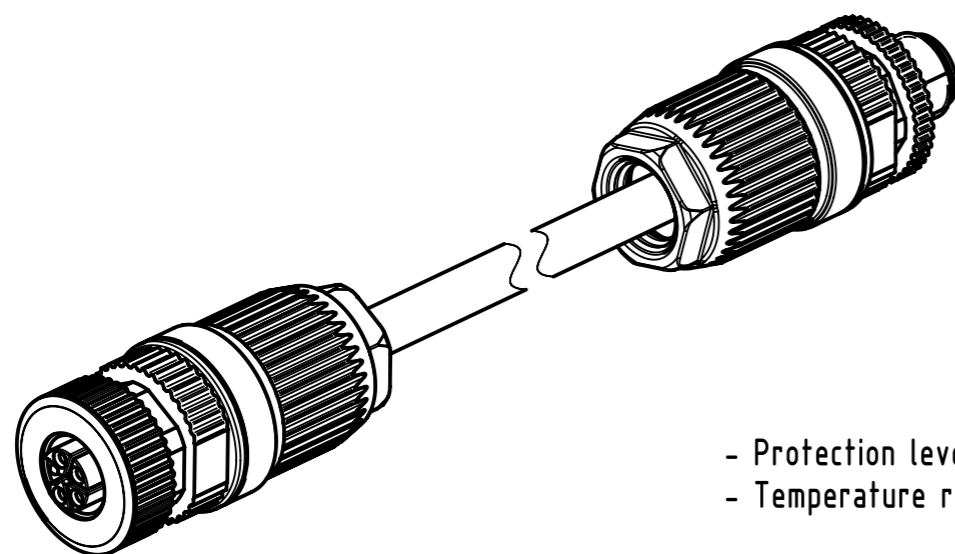
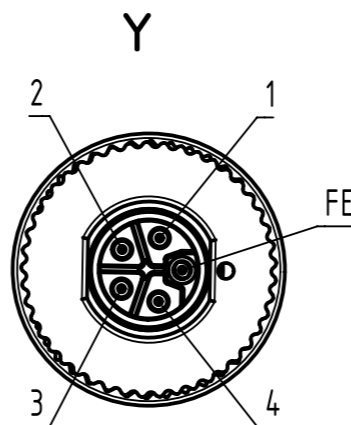
Connector Location A

Connector Location B



Loading-Plan:

1	wire 1	1
2	wire 2	2
3	wire 3	3
4	wire 4	4
FE	wire 5	FE



- Protection level: IP65/67  
 - Temperature range: -40°C ... +80°C

length in "1m" step	100	XXX=000
	99	XXX=990
	.	.
	.	.
length in "0.1m" step	12	XXX=120
	11	XXX=110
	10	XXX=100
	9.9	XXX=099
	9.8	XXX=098
	.	.
Step	0.5	XXX=005
	0.4	XXX=004
	0.3	XXX=003
	0.2	XXX=002
Step	a[m]	XXX

6.0 to 100	±1%
0.6 to 5.9	+0.04
0.2 to 0.5	+0.02
a [m]	Tolerance

OZ-500, PVC grey, 5x2,5mm <sup>2</sup>	2133A7A8524XXX
Type of cable	Part no.

HARTING Customised Solutions D-32427 Minden	All rights reserved Department HCS - RO	Tech. Character.	Free size tol.	According to production drawing 2017-02-03	
		Created by MUNTEANV	Inspected by POPESCU	Standardisation AVRAM	Date 2017-02-09
Title M12 L-coded Cable Assembly		Type TB		Number 2133A7A8524XXX	
Doc-Key / ECM-Nr. 100689080/UGD/001/B 500000115250		Rev. B	Page 1/1		