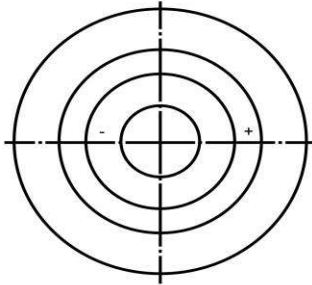
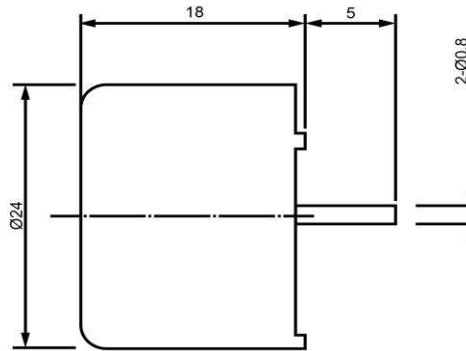


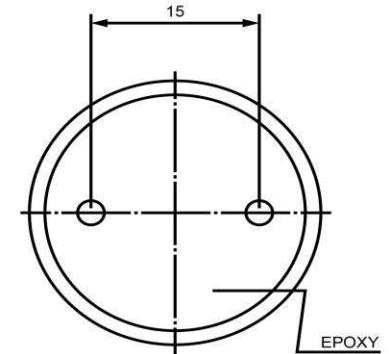
TOP VIEW



SIDE VIEW




BOTTOM VIEW



Specifications		
Description	Value	Unit
Technology	Piezo	
Resonant Frequency	3,700	(Hz)
Rated Voltage	12	(V)
SPL @ 10cm	100	(dBA)
Tone	Single	
Mount Type	Thru Hole	
Voltage Range	3 ~ 16	(V)
Max Rated Current	8	(mA)
Housing Material	NORYL	
Operating Temperature	-30 ~ +70	°C
Storage Temperature	-40 ~ +85	°C
Weight	6	(g)

**Notes**

1) All dimensions are in mm unless otherwise noted  
 2) All parts meet RoHS



**Piezo Indicator**

Revision History					
Version	Description	Date	Approved		
1	Released from Engineering	10/21/2013	J.S		
Drawn by	Date	Checked by	Date	Approved by	Date
A.B.	10/21/2013	C.E.	10/21/2013	J.S	10/21/2013

**IP243712-1**

Additional considerations can be found at [www.dbunlimitedco.com/technical-articles](http://www.dbunlimitedco.com/technical-articles).