

## 2.5GBASE-T ICMs

### Single Port and Eight Port MagJack® ICMs

Bel Magnetic Solution's 2.5GBASE-T ICMs offer a cost effective solution for upgrading product performance to NBASE-T standards. Customers can implement 2.5GBASE-T and double their product speed and bandwidth at the same cost as their current 1GBASE-T solution.

These reliable, cost competitive ICMs are compatible with new Ethernet PHYs and are suitable for next generation 5G cellular equipment, 2.5GBASE-T Ethernet switches, high bandwidth 2.5GBASE-T network interface cards, NBASE-T compliant products and industrial controls equipment. Bel Magnetic Solution's 2.5GBASE-T ICMs are backwards compatible to slower speeds and use industry standard footprints and pin-outs. These ICMs comply with the requirements of NBASE-T and IEEE 802.3bz.



### Features & Benefits

- 2.5GBASE-T capable design
- Multiple port configurations available
- Industry standard footprint & pinout
- Double the bandwidth of the Ethernet signal when compared to 1GBASE-T
- Can be used in switches and on network cards based upon the application
- Drop-in replacement for 1G products, no PCB changes needed

### Applications

- Next generation 5G cellular equipment
- 2.5GBASE-T Ethernet switches
- High bandwidth 2.5GBASE-T network interface cards
- NBASE-T compliant products
- Industrial controls equipment

## Specifications

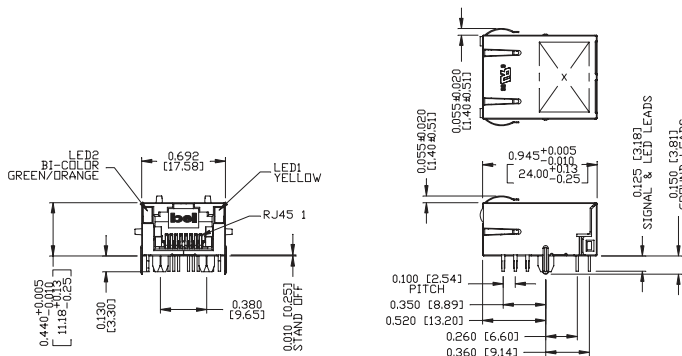
- Meets all IEEE 802.3 10/100BASE-T thru 2.5GBASE-T electrical requirements including RL, IL, hi-pot and common mode parameters
- 100% hi-pot tested in production
- Available in several LED color combinations
- UL recognized
- 30 or 50 micro-inches of gold plated contacts, required by the TIA 1096/FCC 47, Part 68
- RJ45 plug-tab up and tab down for ease of use
- Lead-free wave-solder compatible
- EMI-spring tabs on the shield for enhanced EMI and ESD performance
- RoHS 6/6 compliant



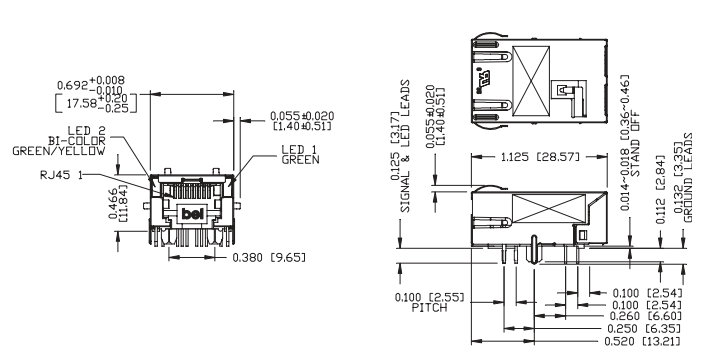
## Part Numbers

Bel Part Number	Speed	No. of Ports	Height Profile	Operating Temp.	LED Type
L829-1J1T-JM	2.5GBASE-T	1x1	Low	0°C to 70°C	3w-OG/Y
L836-121T-KD	2.5GBASE-T	1x1	Low	0°C to 70°C	3w-GY/G
L8BJ-1K1T-KDE	2.5GBASE-T	1x1	Low	0°C to 70°C	3w-GY/G
0854-2X4R-JD-F	2.5GBASE-T	2x4	Standard	-40°C to 85°C	None

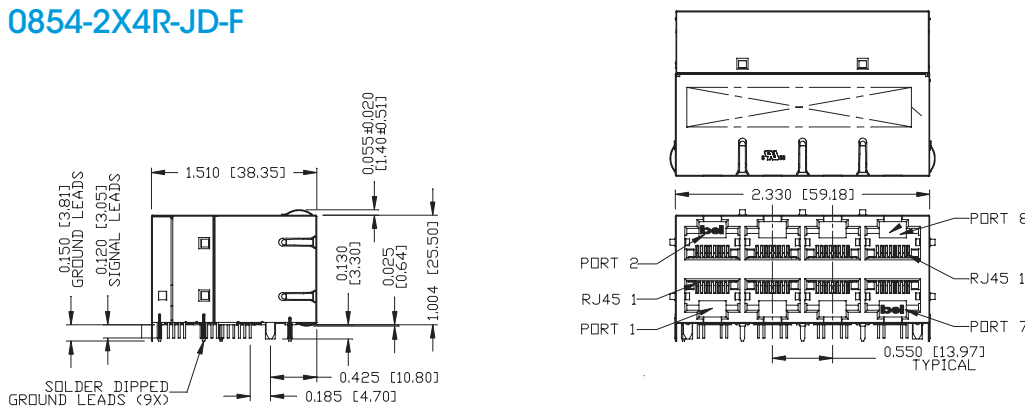
### L829-1J1T-JM



### L8BJ-1K1T-KDE



### 0854-2X4R-JD-F



Bel Magnetic Solutions  
12700 Stowe Drive, Suite 200  
Poway, CA 92064 USA

+1 858.676.9650  
techhelp@belf.com  
[belfuse.com/magnetic-solutions](http://belfuse.com/magnetic-solutions)