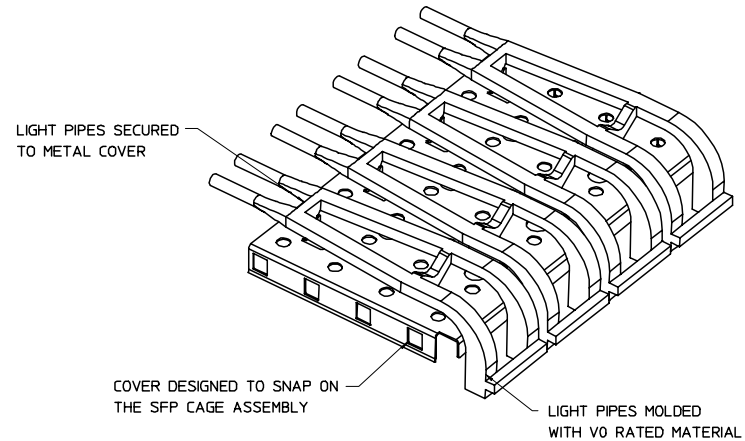
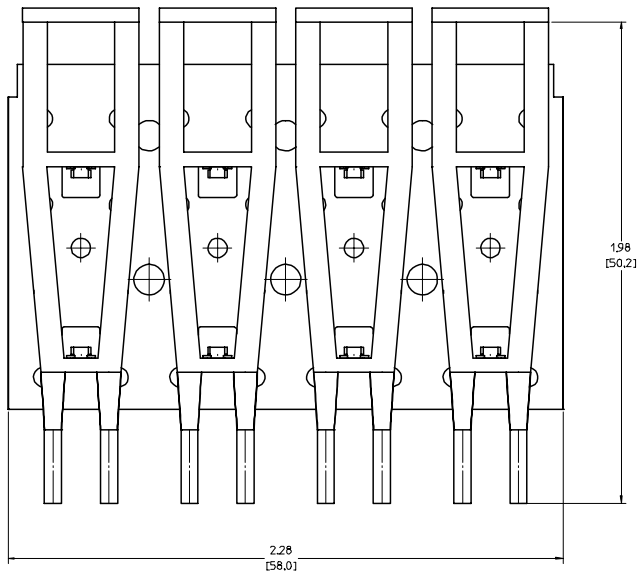


20 19 18 17 16 15 14 13 12 11 10 9 8 7 6 5 4 3 2 1



NOTES:

1. THIS LIGHT PIPE ASSEMBLY TO BE USED WITH THE FOLLOWING 1X4 SFP CAGE ASSEMBLIES:

747280411 - 1X4 SFP CAGE ASSEMBLY W/ PRESS FIT PINS, W/ 0.090 GASKET, F/ LIGHT PIPES (REFER TO DOCUMENT SD-74728-411)

747280412 - 1X4 SFP CAGE ASSEMBLY W/ SOLDER POSTS, W/ 0.103 GASKET, F/ LIGHT PIPES (REFER TO DOCUMENT SD-74728-412)

747280415 - 1X4 SFP CAGE ASSEMBLY W/ PRESS FIT PINS, W/ 0.0103 GASKET, F/ LIGHT PIPES (REFER TO DOCUMENT SD-74728-415)

2. IT IS RECOMMENDED THAT THE CAGE ASSEMBLY BE PRESSED INTO OR SOLDERED TO THE PCB PRIOR TO ASSEMBLING THE LIGHT PIPE ASSEMBLY.

3. LED'S TO HAVE A MAXIMUM HEIGHT OF 1.4mm AND A MINIMUM HEIGHT OF 0.7mm

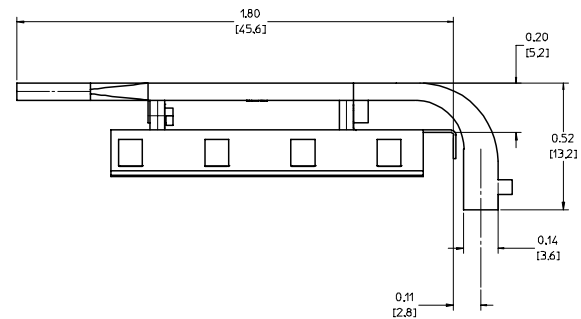
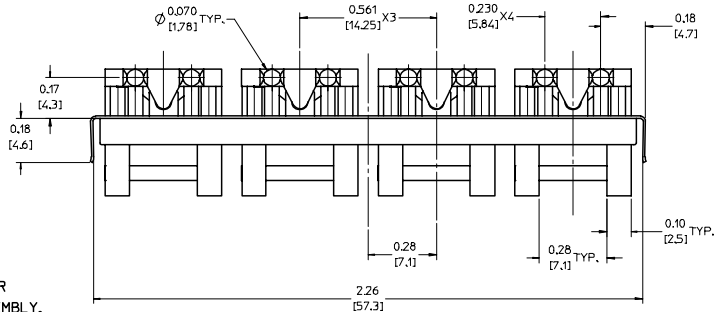
4. RECOMMENDED LED'S INCLUDE THE FOLLOWING MANUFACTURES:

DIALIGHT: 597-77x1-5xx SERIES

CHICAGO MINIATURE: 7016 SERIES

KINGBRIGHT: APBL3025 SERIES (BICOLOR)
APL3015 SERIES (SINGLE COLOR)

5. THIS PART MEETS THE RESTRICTION OF HAZARDOUS SUBSTANCES IN ELECTRICAL AND ELECTRONIC EQUIPMENT (ROHS) DIRECTIVE (2002/95/EC).



4. RECOMMENDED LED'S INCLUDE THE FOLLOWING MANUFACTURES:

DIALIGHT: 597-77x1-5xx SERIES

CHICAGO MINIATURE: 7016 SERIES

KINGBRIGHT: APBL3025 SERIES (BICOLOR)
APL3015 SERIES (SINGLE COLOR)

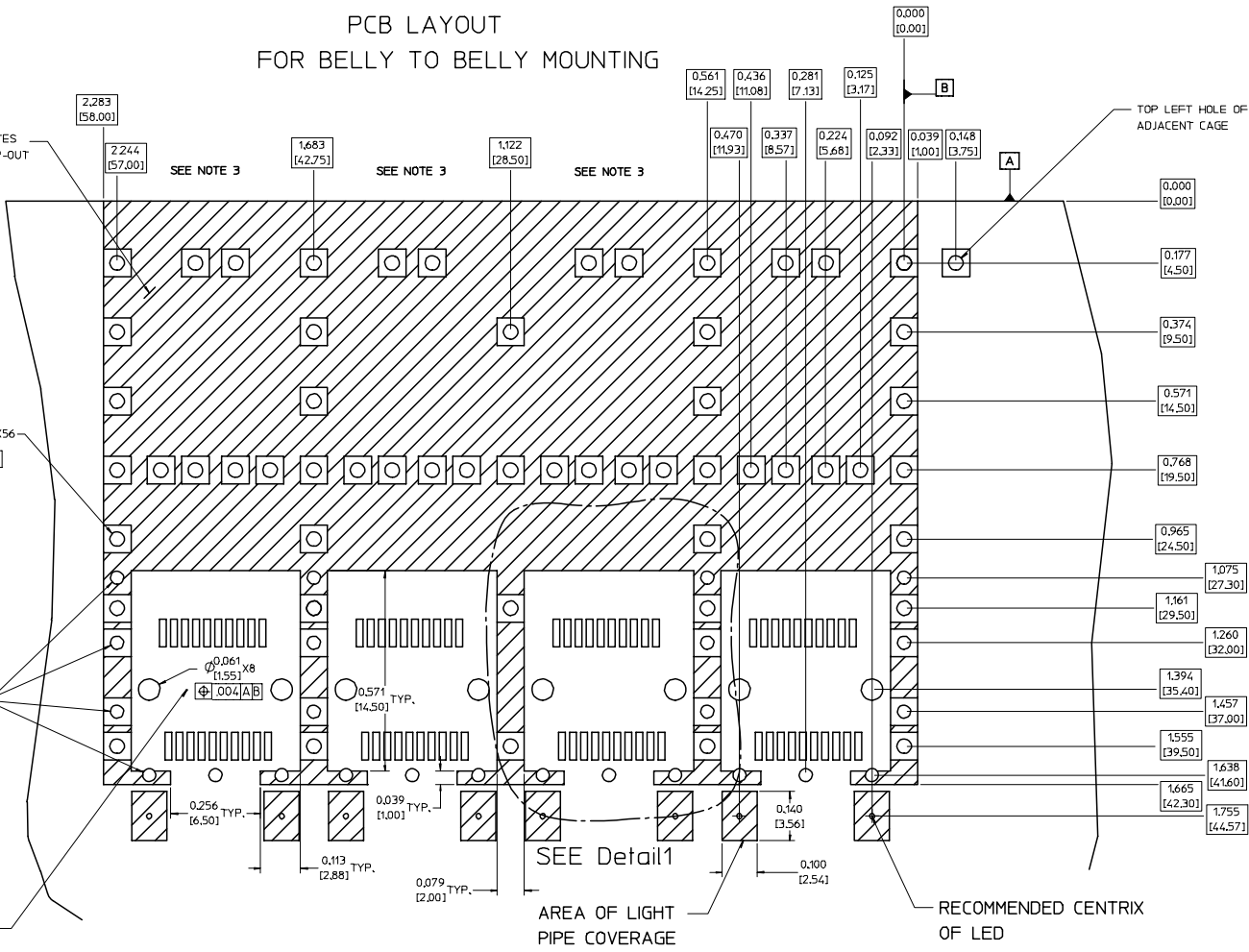
5. THIS PART MEETS THE RESTRICTION OF HAZARDOUS SUBSTANCES IN ELECTRICAL AND ELECTRONIC EQUIPMENT (ROHS) DIRECTIVE (2002/95/EC).

| | | | | | | |
|--|--|---|--|--------------------|--------------|---|
| ENTER DESCRIPTION EC NO: UST2006-0008 DRAWN BY: DRINKS/ROBINSON 2005/07/15 CHECKED BY: CHFK/BRUSSELL 2005/07/15 APPR: BRUSSELL 2005/07/25 DESCRIPTION: | QUALITY SYMBOLS | GENERAL TOLERANCES (UNLESS SPECIFIED) | DIMENSION STYLE | SCALE | DESIGN UNITS | THIRD ANGLE PROJECTION |
| | ▽=0 ▽=0.05 | mm INCH 4 PLACES ± --- ± --- 3 PLACES ± --- ± .005 2 PLACES ± 0.13 ± .01 1 PLACE ± 0.25 ± --- ANGULAR ± 1 ° | IN/MM DRAWN BY: DATE KS IMONSO 2005/07/09 CHECKED BY: DATE BRUSSELL 2005/07/09 APPROVED BY: DATE BRUSSELL 2005/07/09 | 4:1 | METRIC | TITLE 1X4 SFP LIGHT PIPE ASSY, BACK-TOP, SHORT 0.052 FROM STANDARD |
| | DRAFT WHERE APPLICABLE MUST REMAIN WITHIN DIMENSIONS | MATERIAL NO: 747280003 | DOCUMENT NO: SD-74728-003 | MOLEX INCORPORATED | | |
| | SIZE D | THIS DRAWING CONTAINS INFORMATION THAT IS PROPRIETARY TO MOLEX INCORPORATED AND SHOULD NOT BE USED WITHOUT WRITTEN PERMISSION | | SHEET NO: 1 OF 5 | | |

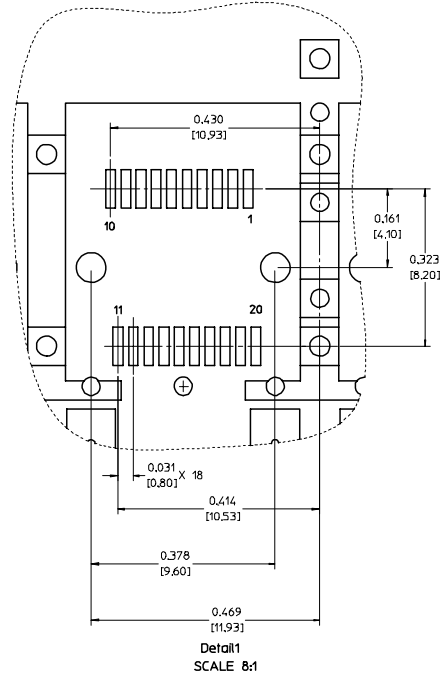
19 18 17 16 15 14 13 12 11 10 9 8 7 6 5 4 3 2 1

PCB LAYOUT FOR BELLY TO BELLY MOUNTING

CROSS-HATCHED AREA DENOTES COMPONENT AND TRACE KEEP-OUT (EXCEPT CHASSIS GROUND)



HOST CONNECTOR DETAIL



- NOTES:**
- PADS AND VIAS GO TO CHASSIS GROUND. (64 PLACES). RECOMMENDED PADS TO BE 2mm SQUARE.
 - PLATING OPTIONAL FOR THROUGH HOLES. (16 PLACES).
 - RECOMMENDED PLATING INCLUDES HASL, IMMERSION (GOLD OR SILVER), AND OSP.
 - HOLE PATTERN REPEATS FOR EACH PORT. SPACING BETWEEN PORTS IS 5.61 [14.25].

| QUALITY SYMBOLS | GENERAL TOLERANCES (UNLESS SPECIFIED) | | DIMENSION STYLE | | SCALE | DESIGN UNITS | THIRD ANGLE PROJECTION |
|---|---------------------------------------|-------|-----------------|--------------|------------|--------------|--|
| | mm | INCH | IN/MM | DATE | | | |
| ▽=0 | 4 PLACES ± | ± | IN/MM | KS IMONSO | 6:1 | METRIC | 1X4 SFP LIGHT PIPE ASSY, BACK-TOP, SHORT 0.052 FROM STANDARD MOLEX INCORPORATED |
| ▽=0 | 3 PLACES ± | ±.005 | | CHECKED BY | | | |
| | 2 PLACES ± | ±.01 | | BRUSSELL | 2005/07/09 | | |
| | 1 PLACE ± | ±.25 | | APPROVED BY | | | |
| | ANGULAR ± | 1° | | BRUSSELL | 2005/07/09 | | |
| DRAFT WHERE APPLICABLE MUST REMAIN WITHIN DIMENSIONS | | | MATERIAL NO. | DOCUMENT NO. | SHEET NO. | | |
| | | | 747280003 | SD-74728-003 | 2 OF 5 | | |
| THIS DRAWING CONTAINS INFORMATION THAT IS PROPRIETARY TO MOLEX INCORPORATED AND SHOULD NOT BE USED WITHOUT WRITTEN PERMISSION | | | | | | | |

PCB LAYOUT FOR SINGLE SIDE MOUNTING

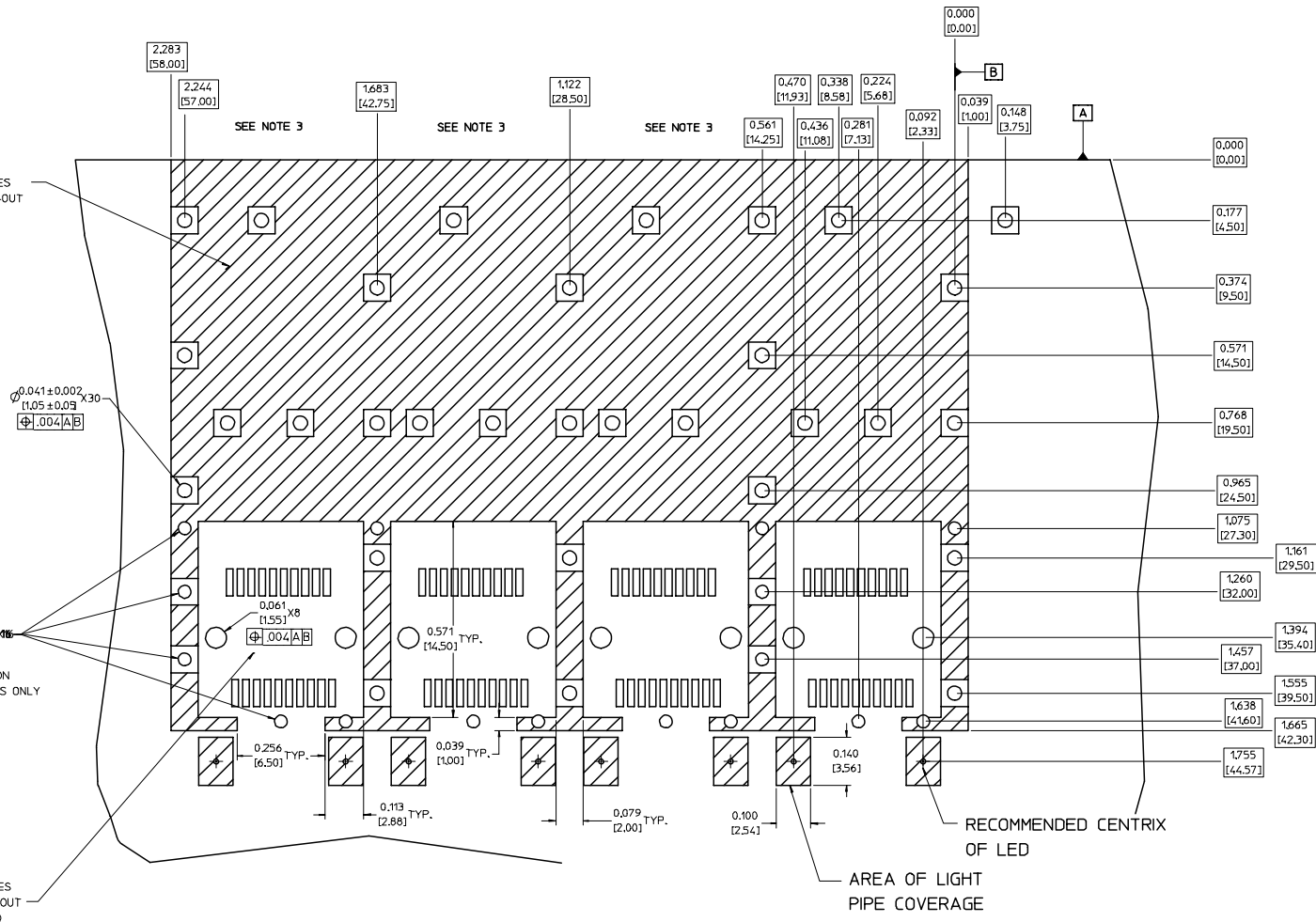
CROSS-HATCHED AREA DENOTES
COMPONENT AND TRACE KEEP-OUT
(EXCEPT CHASSIS GROUND)

$\varnothing 0.037 \pm 0.002$
 10.95 ± 0.03
 $\Phi 0.004 [A/B]$
SMALLER HOLE ON
THESE FOUR ROWS ONLY

THIS AREA DENOTES
COMPONENT KEEP-OUT
(TRACES ALLOWED)

NOTES:

1. PADS AND VIAS GO TO CHASSIS GROUND. (34 PLACES). RECOMMENDED PADS TO BE 2mm SQUARE.
2. PLATING OPTIONAL FOR THROUGH HOLES. (12 PLACES).
3. RECOMMENDED PLATING INCLUDES HASL, IMMERSION (GOLD OR SILVER), AND OSP.
4. HOLE PATTERN REPEATS FOR EACH PORT. SPACING BETWEEN PORTS IS 5.61 [14.25].



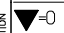
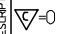
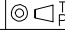
| | | | | | | |
|---|---|---|--|--|------------------------------|---------------------|
| ENTER DESCRIPTION EC NO: UST2006-0008 DRINKS/ROBINSON 2005/07/15 CH/KC/RUSSELL 2005/07/15 APPR:RUSSELL 2005/07/25 A | QUALITY SYMBOLS ▽=0 ▽=0 | GENERAL TOLERANCES (UNLESS SPECIFIED) mm INCH 4 PLACES ± --- ± --- 3 PLACES ± --- ± .005 2 PLACES ± 0.13 ± .01 1 PLACE ± 0.25 ± --- ANGULAR ± 1 ° | DIMENSION STYLE IN/MM DRAWN BY DATE KS IMONSO 2005/07/09 CHECKED BY DATE BRUSSELL 2005/07/09 APPROVED BY DATE BRUSSELL 2005/07/09 | SCALE 6:1 DESIGN UNITS METRIC | THIRD ANGLE PROJECTION | |
| | DRAFT WHERE APPLICABLE MUST REMAIN WITHIN DIMENSIONS | | | MATERIAL NO. 747280003 | DOCUMENT NO. SD-74728-003 | SHEET NO. 3 OF 5 |
| | TITLE 1X4 SFP LIGHT PIPE ASSY, BACK-TOP, SHORT 0.052 FROM STANDARD | | | MOLEX INCORPORATED | | |
| | THIS DRAWING CONTAINS INFORMATION THAT IS PROPRIETARY TO MOLEX INCORPORATED AND SHOULD NOT BE USED WITHOUT WRITTEN PERMISSION | | | | | |

20 19 18 17 16 15 14 13 12 11 10 9 8 7 6 5 4 3 2 1

M
L
K
J
I
H
G
F
E
D
C
B
A

M
L
K
J
I
H
G
F
E
D
C
B
A

| DATE | REV | CHANGES | COMMENTS |
|------------|-----|-----------------|----------|
| 2005/07/09 | A | INITIAL RELEASE | N/A |
| | | | |
| | | | |
| | | | |
| | | | |

| | | | | | | | | | | |
|--|---|--|---|---------------------------------|------------------------------|---|------------------------|---|--------------------|-----------------------------|
| ENTER DESCRIPTION EC NO: UST2006-0008 DRAWN BY: DRANKS MONSON 2005/07/15 CHECKED BY: CHUCK BRUSSELL 2005/07/15 APPR: BRUSSELL 2005/07/25 REV A | QUALITY SYMBOLS  = 0  = 0.05 | GENERAL TOLERANCES (UNLESS SPECIFIED) | | DIMENSION STYLE IN/MM | | SCALE 1:1 | DESIGN UNITS METRIC |  THIRD ANGLE PROJECTION | | |
| | | 4 PLACES ± --- ± --- 3 PLACES ± --- ± .005 2 PLACES ± 0.13 ± .01 1 PLACE ± 0.25 ± --- | mm INCH ± --- ± --- ± .005 ± .01 ± --- ± --- | DRAWN BY KS IMONSO | DATE 2005/07/09 | TITLE 1X4 SFP LIGHT PIPE ASSY, BACK-TOP, SHORT 0.052 FROM STANDARD | | | | |
| | | ANGULAR ± 1 ° | | CHECKED BY BRUSSELL | DATE 2005/07/09 | APPROVED BY BRUSSELL | | | DATE 2005/07/09 | MOLEX MOLEX INCORPORATED |
| | | DRAFT WHERE APPLICABLE MUST REMAIN WITHIN DIMENSIONS | | MATERIAL NO. 747280003 | DOCUMENT NO. SD-74728-003 | SHEET NO. 5 OF 5 | | | | |

19 18 17 16 15 14 13 12 11 10 9 8 7 6 5 4 3 2 1