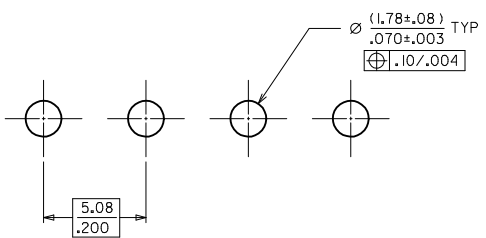
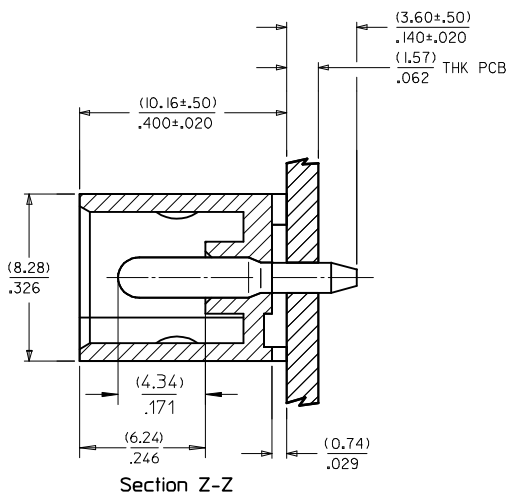
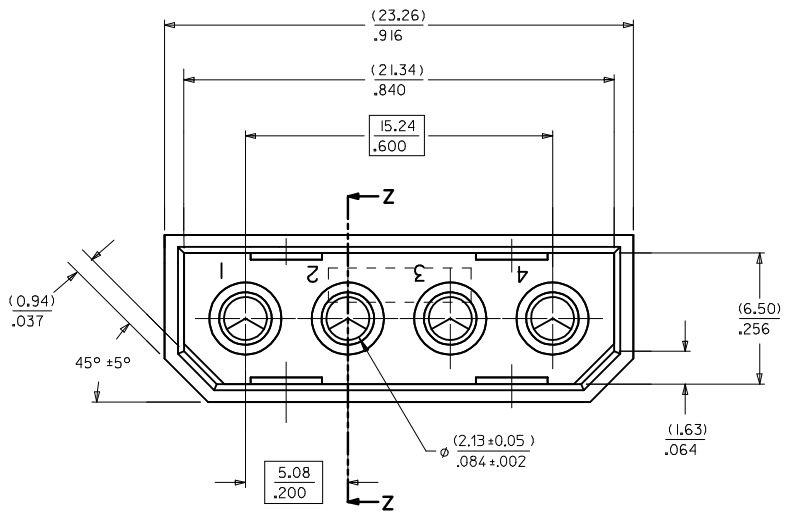


MAT'L NO.	ENG NO.
15-24-4449	A-8981-4V-LF



RECOMMENDED PCB HOLE LAYOUT

NOTES:

- PART TO MATE WITH HOUSING 8981-4P AND TERMINAL 8980-3\*.
- PRODUCT SPEC. PS -8981-4V\* APPLIES

MATERIAL :

HOUSING : NYLON 6/6, UNFILLED, 94V-2, COLOR - NATURAL (OFF-WHITE).  
 TERMINAL : PHOSPHOR BRONZE, C51000  
 PLATING : POSTPLATE (0.00254)/.000100 MIN. TIN OVER  
 (0.00127)/.000050 MIN. NICKEL OVERALL

REMOVE MOIST BAG NOTE EC NO: S2012-0445 DRWN:SKANG 2011/12/07 CHKD:ATSEE 2012/01/05 APPR:MLONG 2012/01/10	QUALITY SYMBOLS ▽=0 ◻=0	GENERAL TOLERANCES (UNLESS SPECIFIED)		DIMENSION STYLE MM/IN		SCALE NTS	DESIGN UNITS METRIC	THIRD ANGLE PROJECTION			
		mm	INCH	DRAWN BY	DATE	TITLE					
		4 PLACES	± ---	± ---	TAY	1989/05/26	HEADER, 4 CKTS VERTICAL MOUNT				
		3 PLACES	± ---	± .008	CHECKED BY	DATE					
	2 PLACES	± 0.20	± ---	NK	1989/05/26						
	1 PLACE	± ---	± ---	APPROVED BY	DATE						
	ANGULAR ± 3 °		AB	1989/05/26	MOLEX INCORPORATED DOCUMENT NO. SDA-8981-4V SHEET NO. 1 OF 1						
DRAFT WHERE APPLICABLE MUST REMAIN WITHIN DIMENSIONS		SEE TABLE		THIS DRAWING CONTAINS INFORMATION THAT IS PROPRIETARY TO MOLEX INCORPORATED AND SHOULD NOT BE USED WITHOUT WRITTEN PERMISSION							