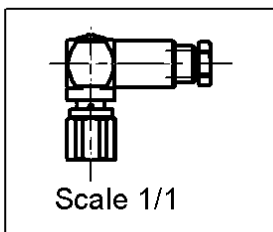
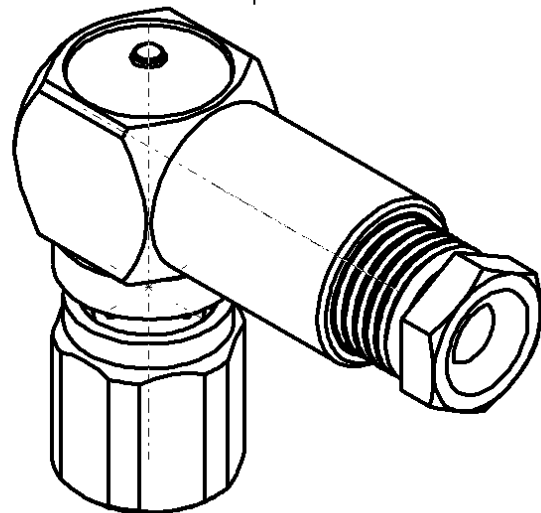
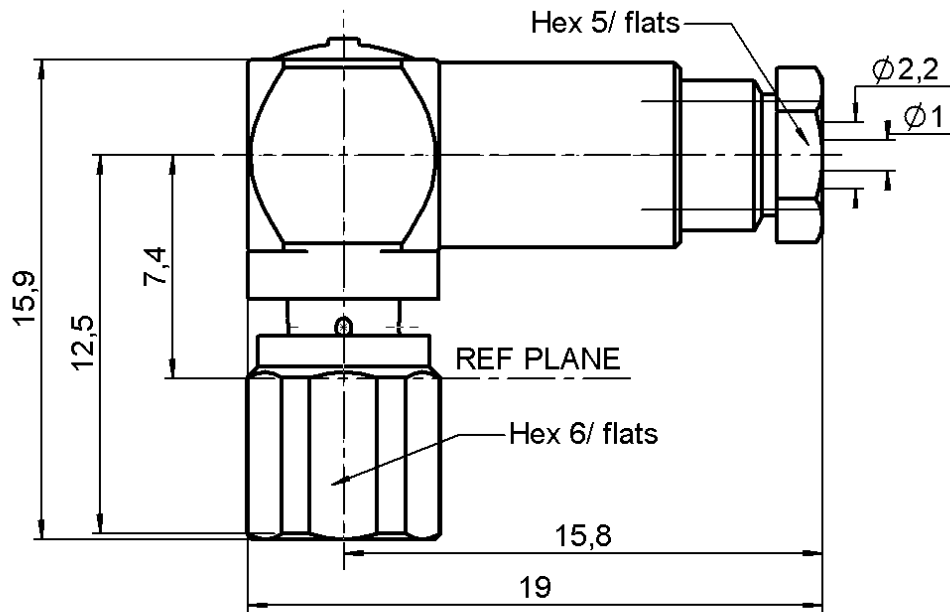


RIGHT ANGLE PLUG CLAMP TYPE

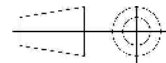
R112.163.000

CABLE 2/50 S

Series : SMC



All dimensions are in mm.



| COMPONENTS | MATERIALS | PLATINGS (μm) |
|----------------|------------------|----------------------------|
| BODY | BRASS | GOLD 0.2 OVER NICKEL 2 |
| CENTER CONTACT | BERYLLIUM COPPER | GOLD 1.3 OVER NICKEL 2 |
| OUTER CONTACT | - | - |
| INSULATOR | PTFE | - |
| GASKET | CHLOROPRENE | - |
| OTHERS PARTS | BRASS | GOLD 0.2 OVER NICKEL 2 |
| - | - | - |
| - | - | - |

Issue : 0430 L

In the effort to improve our products, we reserve the right to make changes judged to be necessary.



RIGHT ANGLE PLUG CLAMP TYPE

R112.163.000

CABLE 2/50 S

Series : SMC

PACKAGING

| Standard | Unit | Other |
|----------|------|-------------------|
| 1 | - | Contact us |

SPECIFICATION

CABLE ASSEMBLY

ELECTRICAL CHARACTERISTICS

| Stripping | a | b | c | d | e | f |
|-----------|------|------|------|------|------|------|
| mm | 1.50 | 2.00 | 4.00 | 5.00 | 0.00 | 0.00 |

| | | |
|---------------------------------|--------------|-----------------------------|
| Impedance | | 50 Ω |
| Frequency | | 0-10 GHz |
| VSWR | 1.4 + | 0.060 x F(GHz) Maxi |
| Insertion loss | | 0.25 √F(GHz) dB Maxi |
| RF leakage | - (| 62 - F(GHz)) dB mini |
| Voltage rating | | 250 Veff Maxi |
| Dielectric withstanding voltage | | 750 Veff mini |
| Insulation resistance | | 1000 MΩ mini |

Assembly instruction :

Recommended cable(s)
 RG 178
 KX 21
 RG 196
 RG 178 LC

Cable retention

- pull off **58** N mini
 - torque **NA** N.cm

MECHANICAL CHARACTERISTICS

TOOLING

| Part Number | Description | Hexagon |
|-------------|-------------|---------|
| . | . | . |

| | | |
|----------------------------|-----------|-----------|
| Center contact retention | | |
| Axial force – Mating end | 10 | N mini |
| Axial force – Opposite end | 10 | N mini |
| Torque | NA | N.cm mini |

| | | |
|--------------------|--------------|------|
| Recommended torque | | |
| Mating | 30 | N.cm |
| Panel nut | NA | N.cm |
| Clamp nut | 40 | N.cm |
| A/F clamp nut | 5.000 | mm |

| | | |
|-------------|--------------|-------------|
| Mating life | 500 | Cycles mini |
| Weight | 4.600 | g |

OTHERS CHARACTERISTICS

ENVIRONMENTAL

| | | |
|-----------------------|------------------|-----------|
| Operating temperature | -55°/+100 | ° C |
| Hermetic seal | NA | Atm.cm3/s |
| Panel leakage | NA | |

Issue : 0430 L

In the effort to improve our products, we reserve the right to make changes judged to be necessary.



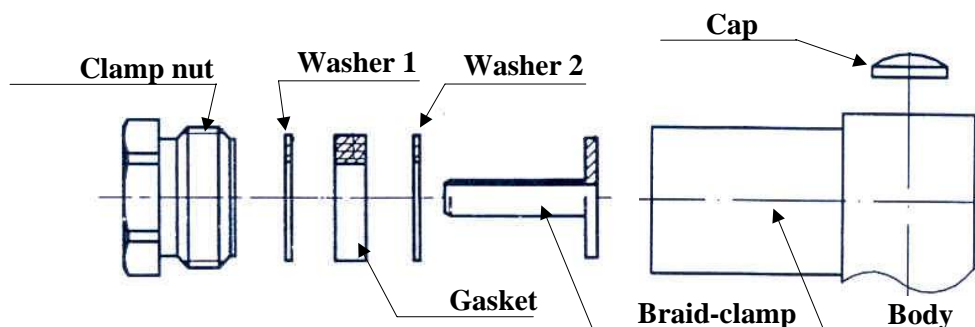
RIGHT ANGLE PLUG CLAMP TYPE

R112.163.000

CABLE 2/50 S

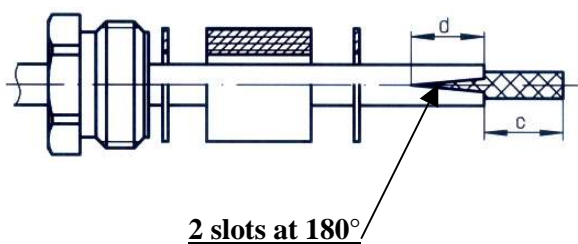
Series : SMC

COMPONENTS



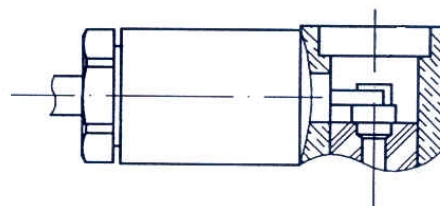
1

Slide the back nut, the first washer, the flat gasket, the second washer onto the cable.
Strip the cable.
Cut 2 slots in the jacket if necessary.



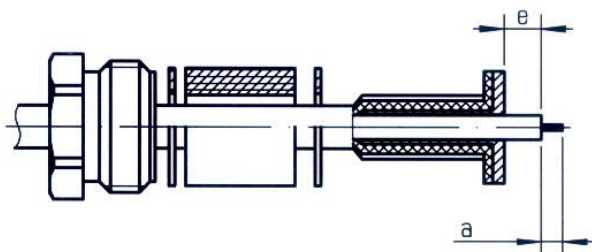
3

Screw sub-assembly into the connector body with the adapted wrench.
Recommended coupling torque (see connector TDS).
Solder the inner conductor.



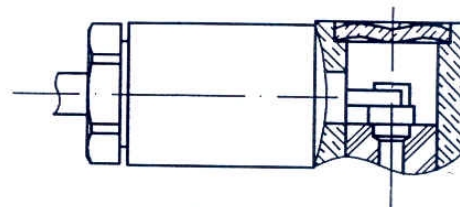
2

Slide the clamp braid sleeve.
Cut the braid flush with the clamp braid sleeve.
Strip off the diélectric.



4

Place the cap into the body.
Press on the cap flush or slightly below the surface of the body assembly.



Issue : 0430 L

In the effort to improve our products, we reserve the right to make changes judged to be necessary.

