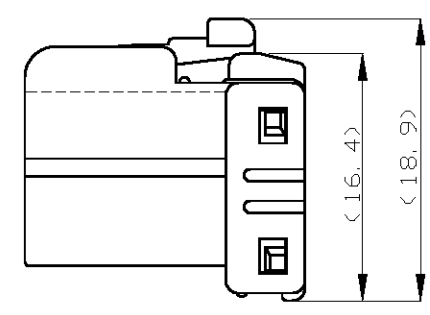
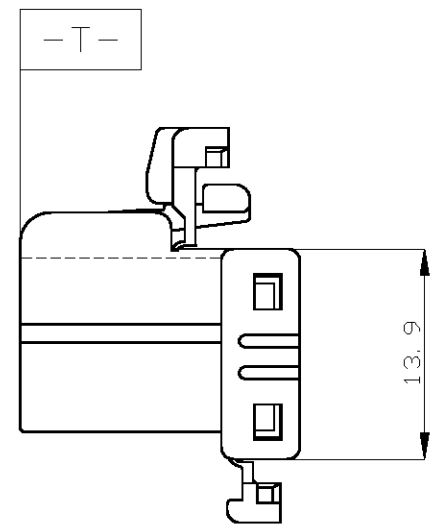
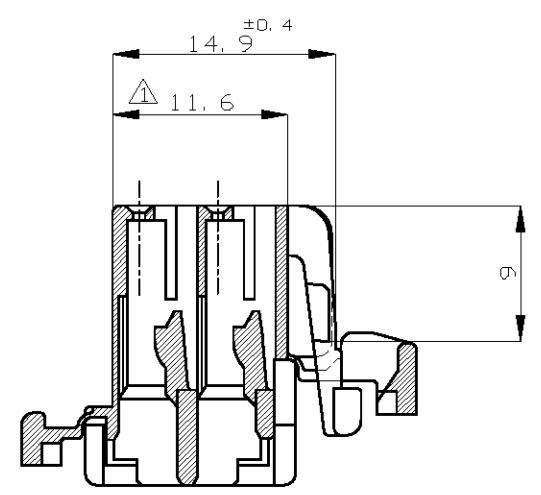
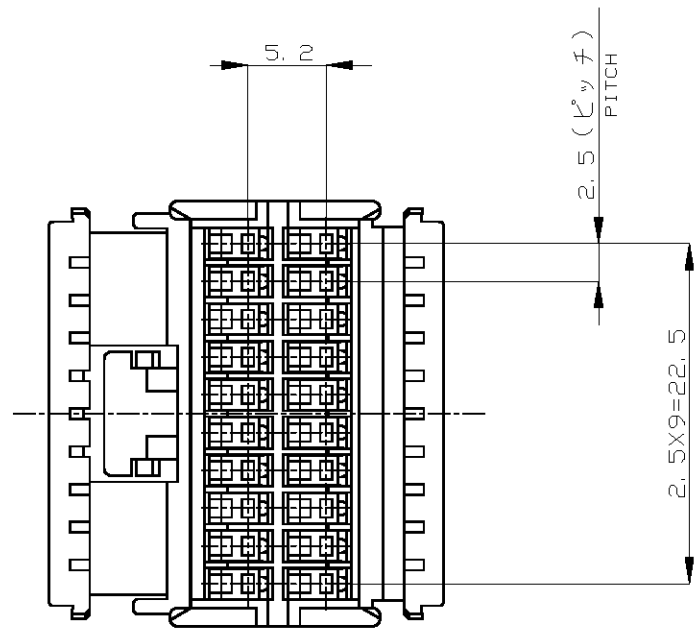
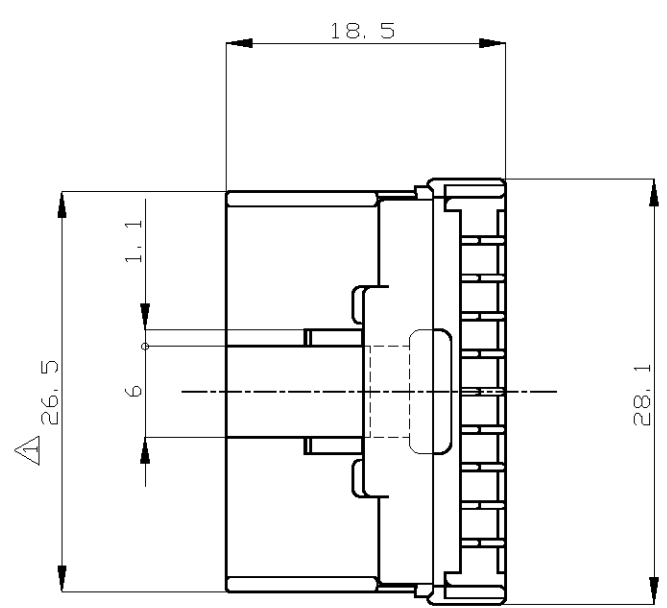
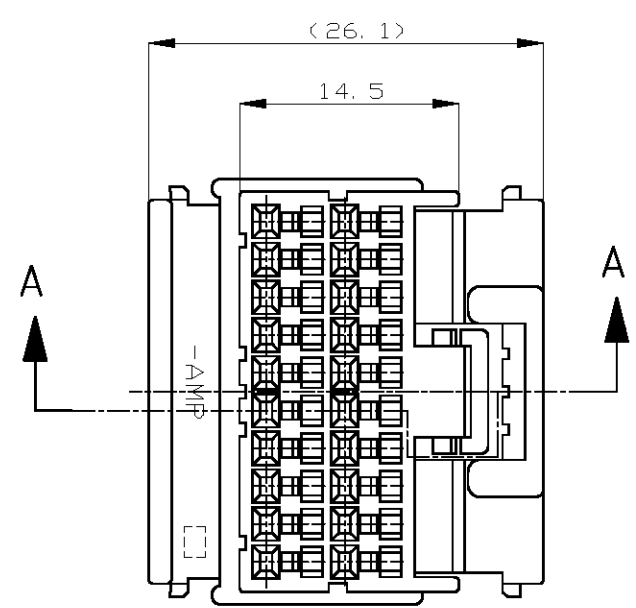


THIS DRAWING IS UNPUBLISHED. RELEASED FOR PUBLICATION  
 © COPYRIGHT - By - ALL RIGHTS RESERVED.

LOC	DIST	REVISIONS					
		P	LTR	DESCRIPTION	DATE	DWN	APVD
J	-	G3	REVISED	ECR-13-018510	08JAN2014	TS	KB



二重ロック時  
DOUBLE LOCKED

A-A

OBSOLETE	色 (COLOR)	製品型番 (PART NO.)
	オレンジ (ORANGE)	174047-8
	青 (BLUE)	174047-5
	緑 (GREEN)	174047-4
	黒 (BLACK)	174047-2
	白 (WHITE)	174047-1
	色 (COLOR)	製品型番 (PART NO.)

- △ TO BE MEASURED WITHIN 2mm FROM [-T-]
- △ APPLICABLE PRODUCT SPEC. NO. 108-5244, 108-5352
- 3. THE MATING CAP HOUSING NUMBERS: 174977, 174055, 175652, 174146, 178460, 174149, AND 174151
- 4. APPLIED CONTACT PART NUMBER: 173681, 175180

- △ [-T-] 面より2mmの範囲で測定
- △ 適用製品規格番号 108-5244, 108-5352
- 3. 嵌合相手ハウジング型番; 174977, 174055, 175652, 174146, 178460, 174149 AND 174151
- 4. 内装するコンタクト型番: 173681, 175180

TOLERANCE UNLESS OTHERWISE SPECIFIED: 一般公差	
0 < x ≤ 10	: ±0.2
10 < x ≤ 30	: ±0.25
30 < x ≤ 100	: ±0.3
ANGLE ; 角度	: ±3°

THIS DRAWING IS A CONTROLLED DOCUMENT.		DWN M.SUGAWARA 07AUG06	TE Connectivity		
DIMENSIONS: 単位: 耗 mm		CHK T.SHINOHARA 07AUG06			
TOLERANCES UNLESS OTHERWISE SPECIFIED: 一般公差		APVD K.BETSUI 07AUG06	NAME 名称		
		PRODUCT SPEC 製品規格	20POSITION PLUG HOUSING 040SERIES MULTI-LOCK CONNECTOR		
MATERIAL 材料 PBT		FINISH 仕上 -	APPLICATION SPEC 取付適用規格	SIZE A3	CAGE CODE 00779
		WEIGHT 4.2 g	DRAWING NO 番号 C-174047	RESTRICTED TO -	
CUSTOMER DRAWING			SCALE 尺度 2:1	SHEET 1 OF 1	REV G3