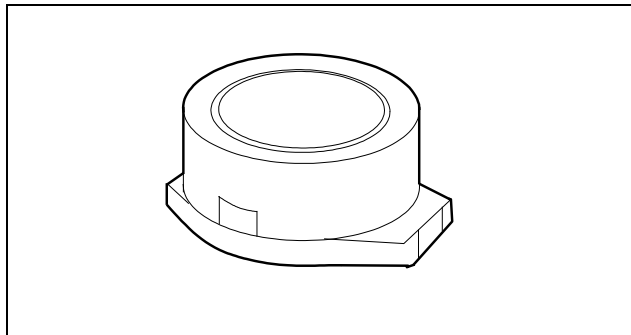


### OUTLINE DIMENSIONS/RECOMMENDED PCB LAYOUT (inch/mm)



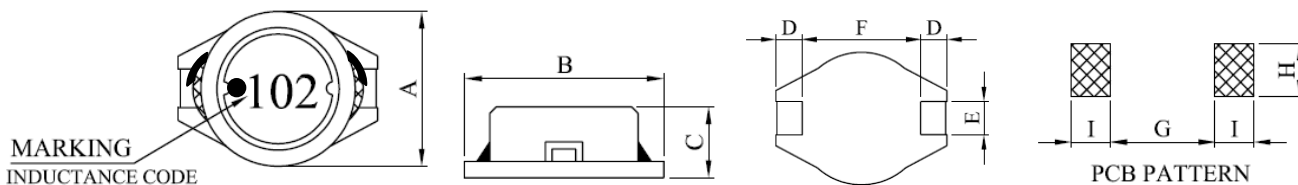
#### OUTLINE

Slim type.  
Self shielded.  
Height: 6mm Max.  
Low resistance.  
Excellent DC current characteristics.

#### APPLICATIONS

Laptop and Notebook computers and PDAs.  
DC/DC converters.  
Inductor for general purpose use.

Part No.	A	B	C	D	E	F	G	H	I
AX1005-102K	0.394 10.00	0.500 12.70	0.193 4.90	0.095 2.40	0.087 2.20	0.299 7.60	0.287 7.30	0.110 2.80	0.118 3.00



### SPECIFICATIONS

Part Number	Inductance (uH± 10%) (Note 1)	Q REF	SRF (MHZ) TYP.	DC Resistance (Ωmax)	Rated Current(Amp) (Note 2)
AX1005-102K	1000.0	70	2.0	3.20	0.22

Note:1. Inductance measured at 1V, 100.0KHz without DC current.

2. Rated DC current is the approximate current at which inductance will be decreased by 10% from its initial (zero DC) value or the DC current at which  $\Delta T=40^{\circ}\text{C}$ , whichever is lower.

**Storage Temp:** -40 to 125°C

**Operating Temp:** -40 to 85°C

**Resistance to Solder Heat:** 260°C for 10 sec. Max

**RoHS Compliance:** As of manufacturing date February 2005, all standard products meet the requirements of 2011/65/EU, known as the RoHS initiative.

\* Upon printing, this document is considered "uncontrolled". Please contact Triad Magnetics' website for the most current version