

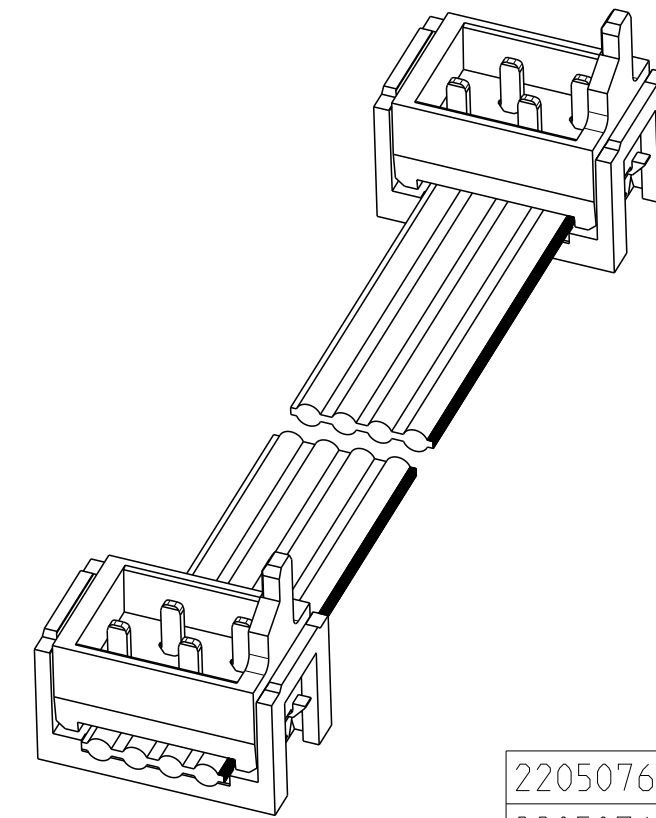
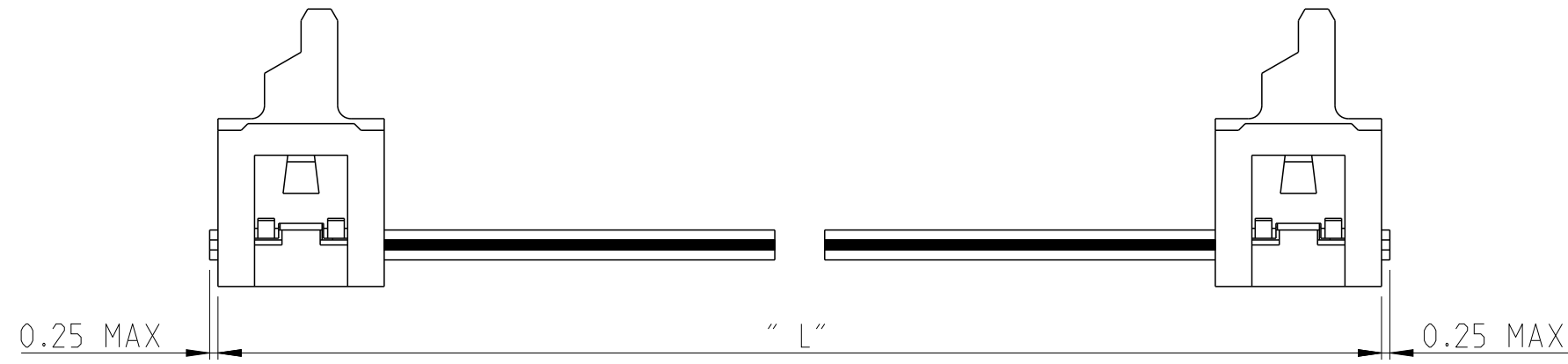
THIS DRAWING IS UNPUBLISHED. RELEASED FOR PUBLICATION 20
 © COPYRIGHT 20 BY - ALL RIGHTS RESERVED.

REVISIONS					
P	LTR	DESCRIPTION	DATE	DWN	APVD
	A	INITIAL RELEASE	16DEC2013	KR	BvH
	A1	ECR-15-004403	28MAR2015	GSK	BvH
	B	ECR-15-014781	08OCT2015	TB	BVH

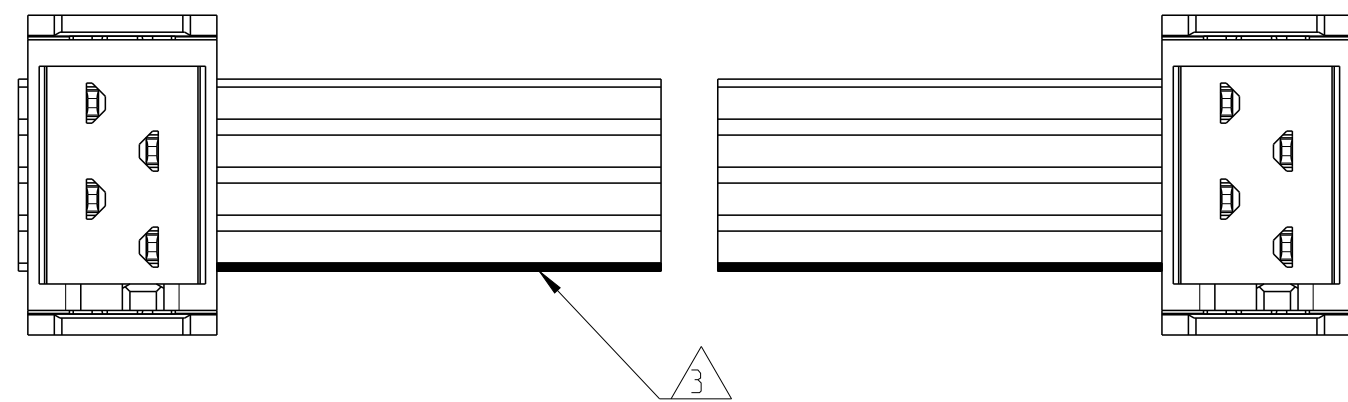
NOTES:

- 1 ASSEMBLIES TO BE TESTED FOR 100% CONTINUITY
- 2 ASSEMBLIES ARE PACKAGED ACCORDING PACKAGING SPEC 107-19582
- 3 RED MARKED CORRESPONDS TO PIN 1
- 4 FOR MOW TO PB SEE 2205068

SCALE : 4:1



SIDE A



SIDE B

2205060-X (4 POSITION CABLE ASSEMBLY) AS SHOWN

TE PN	POS	LENGTH	DESCRIPTION
2205076-3	20	200	CA MICRO-MATCH MOW -MOW 20POS
2205076-2	20	150	CA MICRO-MATCH MOW -MOW 20POS
2205076-1	20	75	CA MICRO-MATCH MOW -MOW 20POS
2205067-3	18	200	CA MICRO-MATCH MOW -MOW 18POS
2205067-2	18	150	CA MICRO-MATCH MOW -MOW 18POS
2205067-1	18	75	CA MICRO-MATCH MOW -MOW 18POS
2205066-3	16	200	CA MICRO-MATCH MOW -MOW 16POS
2205066-2	16	150	CA MICRO-MATCH MOW -MOW 16POS
2205066-1	16	75	CA MICRO-MATCH MOW -MOW 16POS
2205065-3	14	200	CA MICRO-MATCH MOW -MOW 14POS
2205065-2	14	150	CA MICRO-MATCH MOW -MOW 14POS
2205065-1	14	75	CA MICRO-MATCH MOW -MOW 14POS
2205064-3	12	200	CA MICRO-MATCH MOW -MOW 12POS
2205064-2	12	150	CA MICRO-MATCH MOW -MOW 12POS
2205064-1	12	75	CA MICRO-MATCH MOW -MOW 12POS
2205063-3	10	200	CA MICRO-MATCH MOW -MOW 10POS
2205063-2	10	150	CA MICRO-MATCH MOW -MOW 10POS
2205063-1	10	75	CA MICRO-MATCH MOW -MOW 10POS
2205062-3	8	200	CA MICRO-MATCH MOW -MOW 8POS
2205062-2	8	150	CA MICRO-MATCH MOW -MOW 8POS
2205062-1	8	75	CA MICRO-MATCH MOW -MOW 8POS
2205061-3	6	200	CA MICRO-MATCH MOW -MOW 6POS
2205061-2	6	150	CA MICRO-MATCH MOW -MOW 6POS
2205061-1	6	75	CA MICRO-MATCH MOW -MOW 6POS
2205060-3	4	200	CA MICRO-MATCH MOW -MOW 4POS
2205060-2	4	150	CA MICRO-MATCH MOW -MOW 4POS
2205060-1	4	75	CA MICRO-MATCH MOW -MOW 4POS

THIS DRAWING IS A CONTROLLED DOCUMENT.

DWN 13DEC2013 RAGHAVENDRA K
 CHK 23DEC2013 B. VELDHOVEN
 APVD 23DEC2013 G. DOREMALEN VAN

STE TE Connectivity

NAME: CABLE ASSY MICRO-MATCH MOW -MOW

PRODUCT SPEC: -
 APPLICATION SPEC: -
 WEIGHT: -

MATERIAL: -

SIZE: A2 CAGE CODE: - DRAWING NO: C-2205060 RESTRICTED TO: -

Customer Drawing SCALE: 5:1 SHEET: 1 OF 1 REV: B