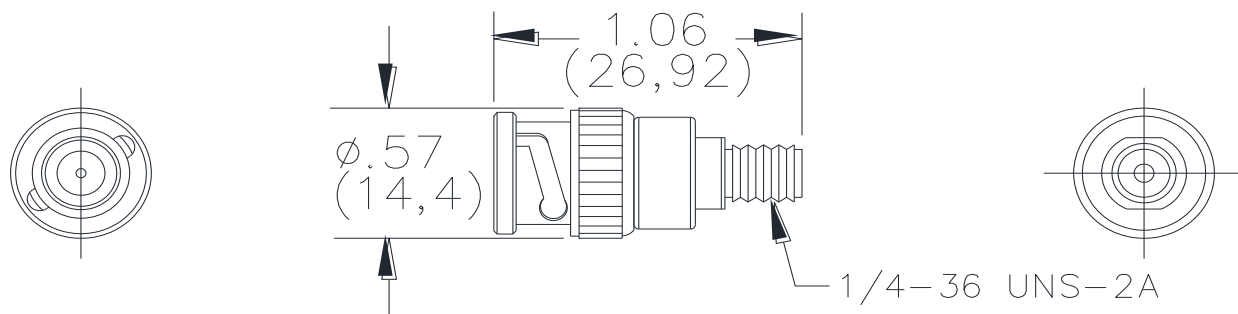


**Model 4289**  
**Adapter, SMA (Female) to BNC (Male)****Features**

- Converts instruments with BNC inputs to SMA.
- Adapter and contacts are gold-plated for low contact resistance.

**Materials**

Body:	Gold-Plated Beryllium Copper
BNC Contact:	Gold-Plated Brass
SMA Contact:	Gold-Plated Beryllium Copper
Dielectric:	PTFE
Finish:	Gold-Plated per MIL-G-45204, Type II, Class 2

**Ratings**

Voltage: For *CE compliance* and for personal safety, do not hold in hand when voltages exceed 30 Vrms/60 Vdc.

Maximum voltage for *hands free use* in controlled testing environments: 335 Vrms Max.

Do not use on circuits where transient stresses can exceed the rated voltage.

Operating Temperature: -65°C (-85°F) to +165°C (+329°F)

Nominal Impedance: 50 Ohm

Frequency Range: 0 – 12.4 GHz

**Ordering Information**

Model: 4289  
SMA (F)/BNC (M)

**USA:** Sales: 800-490-2361  
Technical Support: [technicalsupport@pomonatest.com](mailto:technicalsupport@pomonatest.com)  
Fax: 425-446-5844

**Europe:** 31-(0) 40 2675 150 **International:** 425-446-5500

**Where to Buy:** [www.pomonaelectronics.com](http://www.pomonaelectronics.com)

All dimensions are in inches. Tolerances (except noted): .xx = ±.02" (.51 mm), .xxx = ±.005" (.127 mm). All specifications are to the latest revisions. Specifications are subject to change without notice. Registered trademarks are the property of their respective companies.