

# Touch Sensor W7ED

**Reliable operation that requires only a light touch.  
Models equipped with anti-static FG terminals  
are also available.**

- Suitable for embedding in equipment
- Enables touch sensor configurations to be created that suit your application. Touch electrodes and touch sensor electrodes can be fastened just using screws.
- Body-to-electrode static electricity transfers can easily be prevented using FG terminal models.
- Supports 5 to 15 VDC, with open-collector output.



Refer to *Safety Precautions* on page 6.

## Features

### No design required

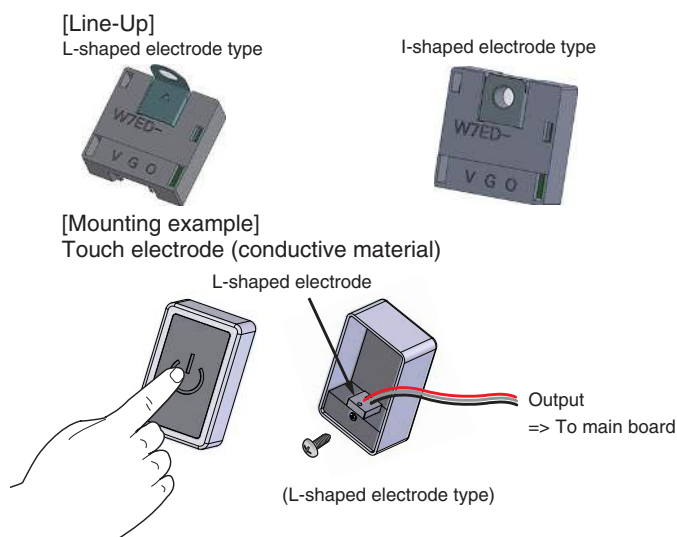
No need to perform sensitivity adjustments or design circuits! Minimizes development man-hours.

### Reliable operation

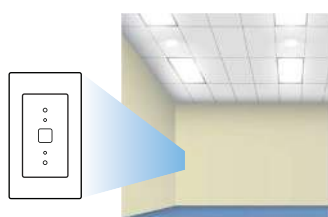
Achieves reliable operation using a touch electrode that changes capacitance depending on the level of touch.

### Connects easily

Touch electrodes and touch sensors can be fastened just using screws. No PCBs, facilitating touch sensor configurations.



## Application Examples



Lights



Elevators



Vending Machines



Faucets





# W7ED

## Model Number Legend

W7ED-□ □ □  
(1) (2) (3)

- |                                      |  |   |
|--------------------------------------|--|---|
| (1) Detected capacitance<br>1: 25 pF | (2) FG terminal<br>1: Without<br>2: With | (3) Electrode shape<br>F: I-shaped<br>L: L-shaped |
|--------------------------------------|--|---|

## Specifications

Electrode shape	Appearance	FG terminal	Model
I-shaped		Without	W7ED-11F
		With	W7ED-12F
L-shaped		Without	W7ED-11L
		With	W7ED-12L

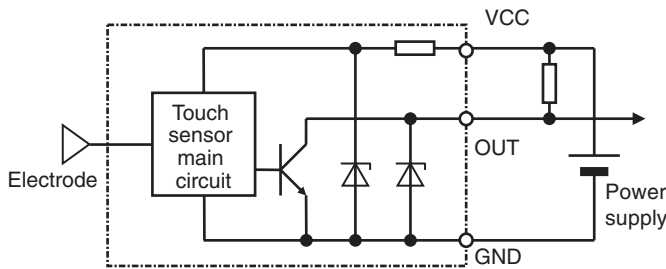
## Ratings and Specifications

<b>Detected capacitance *</b>	25 ± 5 pF
<b>Power supply voltage</b>	5 VDC (-10%) to 15 VDC (+10%)
<b>Output</b>	Open collector (max. output current: 10 mA)
<b>Residual output voltage</b>	0.4 V max.
<b>Operation mode</b>	When detecting capacitance (human touch detected): Output transistor ON When not detecting capacitance (no human touch detected): Output transistor OFF
<b>Current consumption</b>	10 mA max.
<b>Voltage influence</b>	With rated supply voltage within a range of ±10% and a rate of change for detected capacitance within ±10% when powered using the rated supply voltage
<b>Temperature influence</b>	Within an ambient temperature range when operating and a rate of change for detected capacitance within ±10% at +23°C
<b>Ambient temperature</b>	When in use: -10 to 60°C (no icing or condensation) When in storage: -20 to 70°C (no icing or condensation)
<b>Ambient humidity</b>	25 to 85%RH

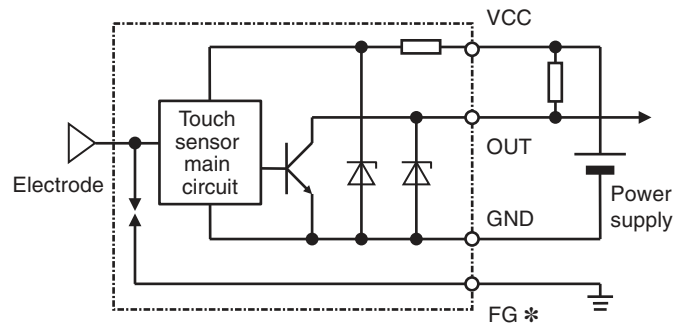
\* "Detected capacitance" refers to the detected capacitance value when capacitance is applied between the electrode and the ground terminal of the touch sensor circuit.

## Output Circuit Diagram

FG terminal not provided  
(W7ED-11F, W7ED-11L)



FG terminal provided  
(W7ED-12F, W7ED-12L)



\* We recommend connecting the FG terminal to a stable potential on the device's frame ground.

## Operation Chart

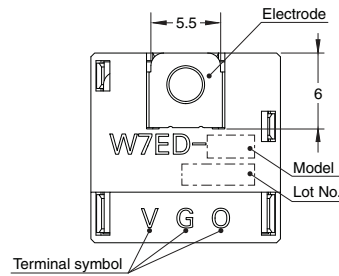
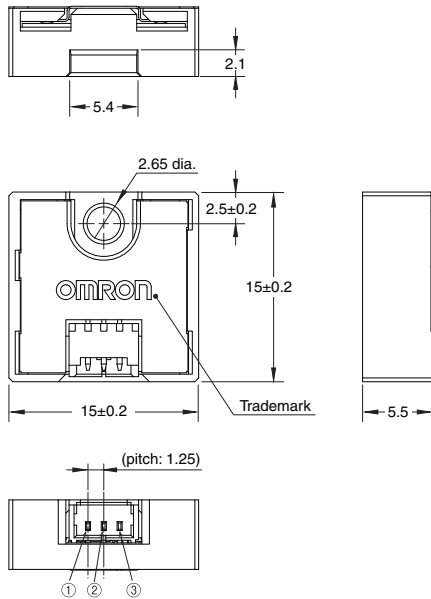
Capacitance detection



Output transistor



W7ED-11F



**Note: 1.** Details of connector terminal symbols are shown below.

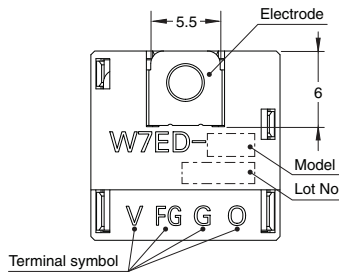
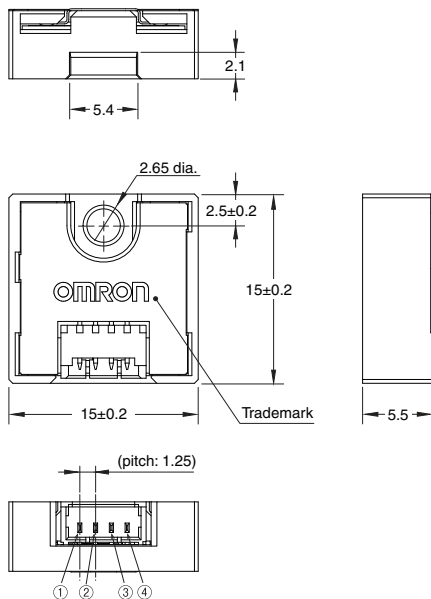
Connector terminal No.	Terminal symbol	Name
1	O	Output (OUT)
2	G	Ground (GND)
3	V	Power supply (VCC)

**2.** Compatible housings for connector include 51021-03□□ series models from Molex.

**3.** The Lot No. is 4-digit number located at the position indicated in the figure.

\* Tolerance class IT16 applies to dimensions in this datasheet unless otherwise specified.

W7ED-12F



**Note: 1.** Details of connector terminal symbols are shown below.

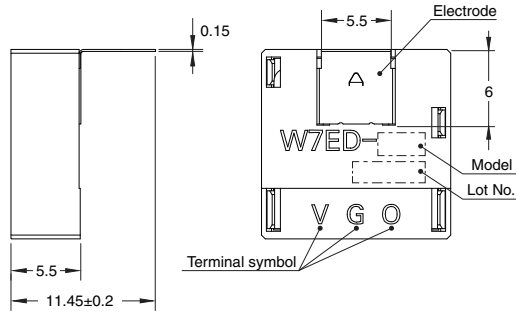
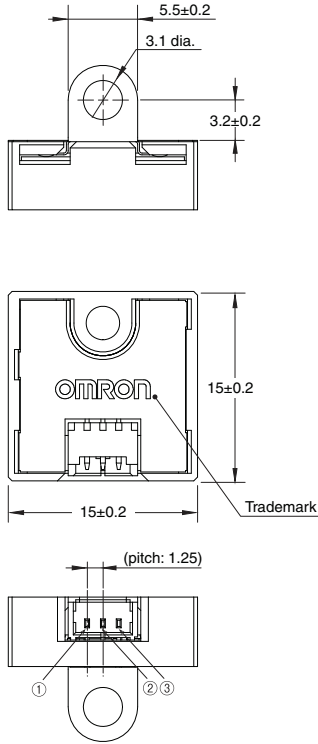
Connector terminal No.	Terminal symbol	Name
1	O	Output (OUT)
2	G	Ground (GND)
3	FG	Frame ground (FG)
4	V	Power supply (VCC)

**2.** Compatible housings for connector include 51021-04□□ series models from Molex.

**3.** The Lot No. is 4-digit number located at the position indicated in the figure.

\* Tolerance class IT16 applies to dimensions in this datasheet unless otherwise specified.

W7ED-11L



**Note: 1.** Details of connector terminal symbols are shown below.

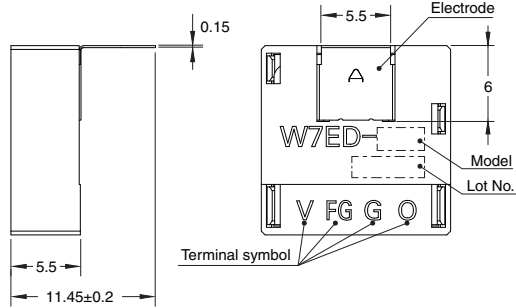
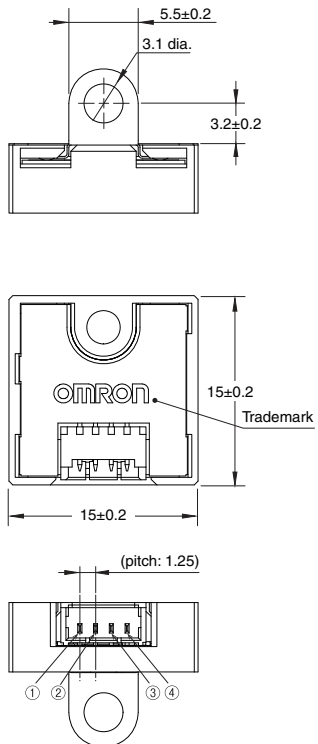
Connector terminal No.	Terminal symbol	Name
1	O	Output (OUT)
2	G	Ground (GND)
3	V	Power supply (VCC)

**2.** Compatible housings for connector include 51021-03□□ series models from Molex.

**3.** The Lot No. is 4-digit number located at the position indicated in the figure.

\*Tolerance class IT16 applies to dimensions in this datasheet unless otherwise specified.

W7ED-12L



**Note: 1.** Details of connector terminal symbols are shown below.

Connector terminal No.	Terminal symbol	Name
1	O	Output (OUT)
2	G	Ground (GND)
3	FG	Frame ground (FG)
4	V	Power supply (VCC)

**2.** Compatible housings for connector include 51021-04□□ series models from Molex.

**3.** The Lot No. is 4-digit number located at the position indicated in the figure.

\*Tolerance class IT16 applies to dimensions in this datasheet unless otherwise specified.

# W7ED

## Safety Precautions

Please read the matters of agreement when ordering

### How to Use

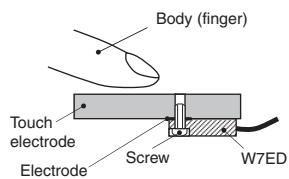
#### 1. How to use

By connecting and fastening this electrode to a touch electrode (conductive material made from metal or with a metallic plating), a touch sensor configuration can be created with specifications that suit your application. The electrode features a hole that enables it to be fastened with a screw, etc.

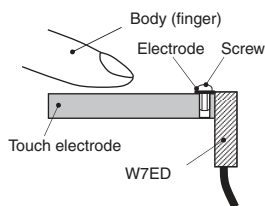
#### 2. FG terminals

Static electricity from the human body, etc., is capable of entering the touch sensor via its electrode. When anti-static measures are required, select a model (W7ED-12F or W7ED-12L) with an FG terminal, which acts as a discharge circuit for static electricity. To enhance the anti-static effects of the FG terminal, we recommend connecting the FG terminal to a stable potential on the device's frame ground using a thick, short wire.

#### I-shaped electrode (W7ED-11F, W7ED-12F)



#### L-shaped electrode (W7ED-11L, W7ED-12L)



### Precautions for Correct Use

1. Use a touch electrode made of conductive metal or metal-plated material.
2. Make sure to insulate touch electrode and electrode of this product from external grounds.
3. The level of capacitance normally applied will depend on conditions such as the size of the touch electrode or the existence of metal around the touch electrode. Make sure to confirm that the touch sensor operates by applying human touch to the touch electrode with the touch electrode secured in place while in contact with the electrode of this product.
4. Avoid use in locations subject to direct contact with liquids such as water. Failure to do so will result in malfunction.

# Terms and Conditions Agreement

## Read and understand this catalog.

Please read and understand this catalog before purchasing the products. Please consult your OMRON representative if you have any questions or comments.

## Warranties.

- (a) Exclusive Warranty. Omron's exclusive warranty is that the Products will be free from defects in materials and workmanship for a period of twelve months from the date of sale by Omron (or such other period expressed in writing by Omron). Omron disclaims all other warranties, express or implied.
- (b) Limitations. OMRON MAKES NO WARRANTY OR REPRESENTATION, EXPRESS OR IMPLIED, ABOUT NON-INFRINGEMENT, MERCHANTABILITY OR FITNESS FOR A PARTICULAR PURPOSE OF THE PRODUCTS. BUYER ACKNOWLEDGES THAT IT ALONE HAS DETERMINED THAT THE PRODUCTS WILL SUITABLY MEET THE REQUIREMENTS OF THEIR INTENDED USE.

Omron further disclaims all warranties and responsibility of any type for claims or expenses based on infringement by the Products or otherwise of any intellectual property right. (c) Buyer Remedy. Omron's sole obligation hereunder shall be, at Omron's election, to (i) replace (in the form originally shipped with Buyer responsible for labor charges for removal or replacement thereof) the non-complying Product, (ii) repair the non-complying Product, or (iii) repay or credit Buyer an amount equal to the purchase price of the non-complying Product; provided that in no event shall Omron be responsible for warranty, repair, indemnity or any other claims or expenses regarding the Products unless Omron's analysis confirms that the Products were properly handled, stored, installed and maintained and not subject to contamination, abuse, misuse or inappropriate modification. Return of any Products by Buyer must be approved in writing by Omron before shipment. Omron Companies shall not be liable for the suitability or unsuitability or the results from the use of Products in combination with any electrical or electronic components, circuits, system assemblies or any other materials or substances or environments. Any advice, recommendations or information given orally or in writing, are not to be construed as an amendment or addition to the above warranty.

See <http://www.omron.com/global/> or contact your Omron representative for published information.

## Limitation on Liability; Etc.

OMRON COMPANIES SHALL NOT BE LIABLE FOR SPECIAL, INDIRECT, INCIDENTAL, OR CONSEQUENTIAL DAMAGES, LOSS OF PROFITS OR PRODUCTION OR COMMERCIAL LOSS IN ANY WAY CONNECTED WITH THE PRODUCTS, WHETHER SUCH CLAIM IS BASED IN CONTRACT, WARRANTY, NEGLIGENCE OR STRICT LIABILITY.

Further, in no event shall liability of Omron Companies exceed the individual price of the Product on which liability is asserted.

## Suitability of Use.

Omron Companies shall not be responsible for conformity with any standards, codes or regulations which apply to the combination of the Product in the Buyer's application or use of the Product. At Buyer's request, Omron will provide applicable third party certification documents identifying ratings and limitations of use which apply to the Product. This information by itself is not sufficient for a complete determination of the suitability of the Product in combination with the end product, machine, system, or other application or use. Buyer shall be solely responsible for determining appropriateness of the particular Product with respect to Buyer's application, product or system. Buyer shall take application responsibility in all cases.

NEVER USE THE PRODUCT FOR AN APPLICATION INVOLVING SERIOUS RISK TO LIFE OR PROPERTY OR IN LARGE QUANTITIES WITHOUT ENSURING THAT THE SYSTEM AS A WHOLE HAS BEEN DESIGNED TO ADDRESS THE RISKS, AND THAT THE OMRON PRODUCT(S) IS PROPERLY RATED AND INSTALLED FOR THE INTENDED USE WITHIN THE OVERALL EQUIPMENT OR SYSTEM.

## Programmable Products.

Omron Companies shall not be responsible for the user's programming of a programmable Product, or any consequence thereof.

## Performance Data.

Data presented in Omron Company websites, catalogs and other materials is provided as a guide for the user in determining suitability and does not constitute a warranty. It may represent the result of Omron's test conditions, and the user must correlate it to actual application requirements. Actual performance is subject to the Omron's Warranty and Limitations of Liability.

## Change in Specifications.

Product specifications and accessories may be changed at any time based on improvements and other reasons. It is our practice to change part numbers when published ratings or features are changed, or when significant construction changes are made. However, some specifications of the Product may be changed without any notice. When in doubt, special part numbers may be assigned to fix or establish key specifications for your application. Please consult with your Omron's representative at any time to confirm actual specifications of purchased Product.

## Errors and Omissions.

Information presented by Omron Companies has been checked and is believed to be accurate; however, no responsibility is assumed for clerical, typographical or proofreading errors or omissions.

Please check each region's Terms & Conditions by region website.

---

## **OMRON Corporation**

**Electronic and Mechanical Components Company**

### **Regional Contact**

#### **Americas**

<https://www.components.omron.com/>

#### **Asia-Pacific**

<https://ecb.omron.com.sg/>

#### **Korea**

<https://www.omron-ecb.co.kr/>

#### **Europe**

<http://components.omron.eu/>

#### **China**

<https://www.ecb.omron.com.cn/>

#### **Japan**

<https://www.omron.co.jp/ecb/>