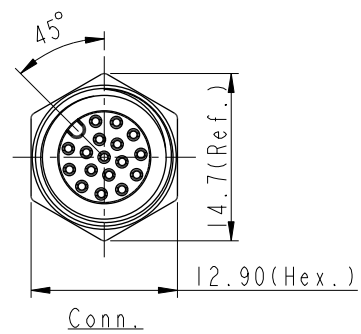
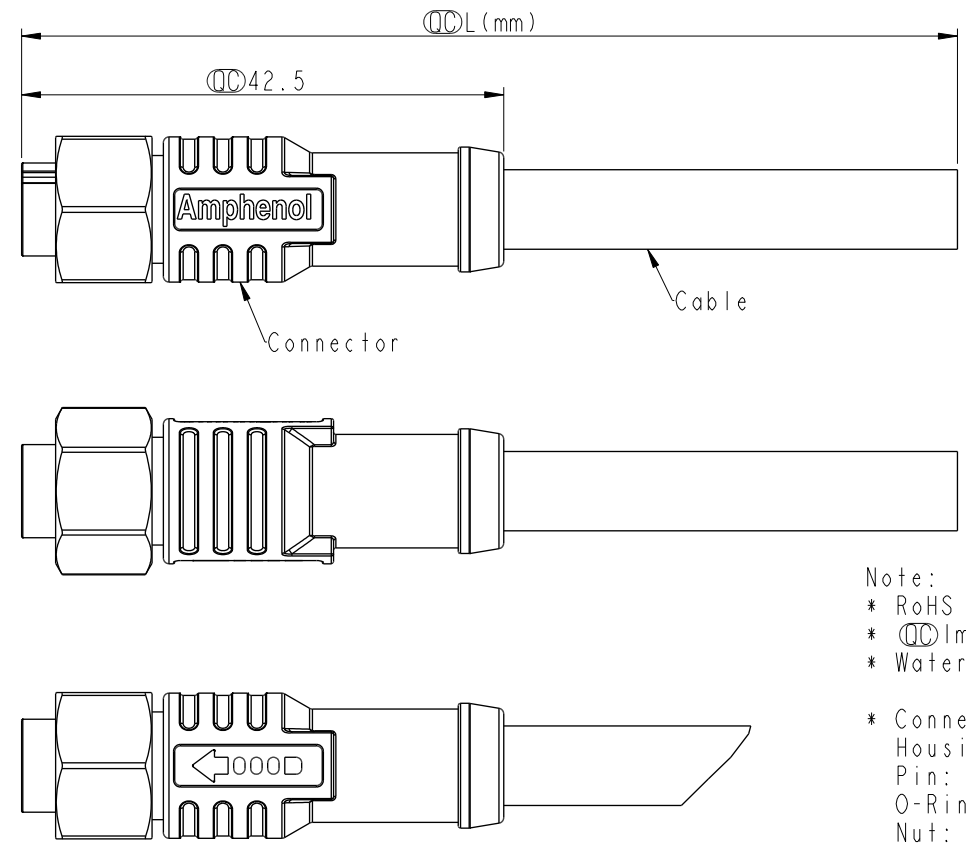


THIS DOCUMENT IS SUBJECT TO CHANGE WITHOUT NOTICE. IT IS CONFIDENTIAL AND A PROPERTY OF Amphenol LTW. DISCLOSURE TO THIRD PARTY HAS TO BE AUTHORIZED BY Amphenol LTW.

REV.	ECN NO.	DATE	SIGN	DESCRIPTION
A		2021-08-16	Allen Pan	Rev.02 To Rev.A



- Note:
- \* RoHS Compliant
  - \*  $\varnothing$  Important Dimension
  - \* Waterproof rate: IPX8, mated 1m/24h  
IPX9K, mated
  - \* Connector
    - Housing: Thermoplastic, Black
    - Pin: Copper Alloy, Gold Plated
    - O-Ring: Rubber, Green
    - Nut: Metal
    - Outer mold: Thermoplastic, Black
  - \* Cable: UL2517, PVC Jacket, Black
  - \* Cable length tolerance: 1M: +50/-0 mm
    - 1M < L ≤ 3M: +100/-0 mm
    - 3M < L ≤ 5M: +150/-0 mm
    - 5M < L ≤ 10M: ±100 mm
    - 10M < L ≤ 20M: ±200 mm
    - 20M < L ≤ 30M: ±300 mm
    - 30M < L ≤ 99M: ±500 mm

UNIT: mm		TITLE			
		N SEN, M12 A-STAINLESS, SCREW CABLE W/O SR, F, F, MOLDING			
		SCALE	SIZE	SHEET	OF
TOLERANCE		3:2	A4	1	2
±0.5mm		REV.	WC-REV.	$\varnothing$ : Inspection item	
		A	A.1		

**Amphenol LTW**  
安費諾亮泰企業股份有限公司

ITEM NO.	DRAWN BY	DATE
	Allen Pan	2021-08-16
DWG NO.	CHECKED BY	DATE
SM12A-XXBFFM-SL8DXX	Sam Ho	2021-08-16
CUSTOMER	APPROVED BY	DATE
ALTW	Fred Lee	2021-08-16

