

NBC-PP-A1PRD:10 - Port Guard Security Element



1041900

<https://www.phoenixcontact.com/us/products/1041900>

Please be informed that the data shown in this PDF document is generated from our online catalog. Please find the complete data in the user documentation. Our general terms of use for downloads are valid.



Port Guard Security Element

Product description

Port Guard Security Element, for securing the RJ45 interface against unauthorized access, with key element

Your advantages

- Perfect for industrial applications
- Compact angle
- Perfect for office, building, and protected industrial applications (e.g., in control cabinets)

Commercial data

Item number	1041900
Packing unit	1 pc
Minimum order quantity	10 pc
Sales key	AB18
Product key	ABNLAZ
Catalog page	Page 375 (C-2-2019)
GTIN	4055626600321
Weight per piece (including packing)	2.67 g
Weight per piece (excluding packing)	2.6 g
Customs tariff number	85389099
Country of origin	CH

1041900

<https://www.phoenixcontact.com/us/products/1041900>

Technical data

Notes

General	For RJ45 socket modules
---------	-------------------------

Product properties

Product type	Female insert
Number of slots	1

Material specifications

Material	PC
Contact material	Copper alloy
Contact carrier material	LCP

Mounting

Mounting type	PCB mounting
---------------	--------------

NBC-PP-A1PRD:10 - Port Guard Security Element

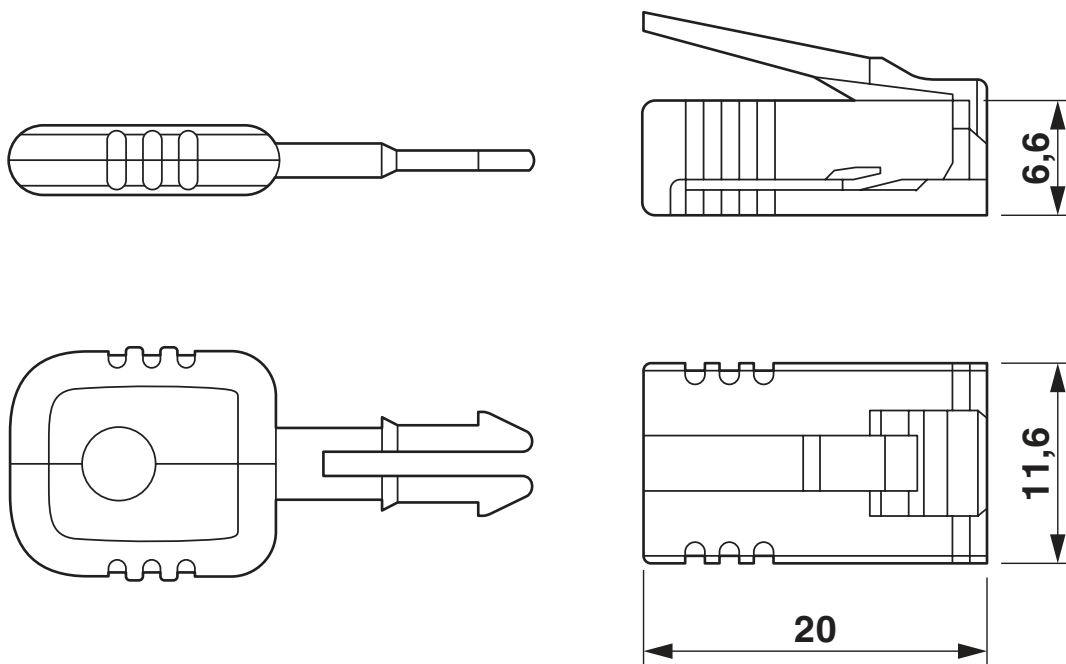


1041900

<https://www.phoenixcontact.com/us/products/1041900>

Drawings

Dimensional drawing



1041900

<https://www.phoenixcontact.com/us/products/1041900>

Classifications

ECLASS

ECLASS-11.0	27060308
ECLASS-12.0	27060308
ECLASS-13.0	27060308

ETIM

ETIM 8.0	EC002599
----------	----------

UNSPSC

UNSPSC 21.0	26121600
-------------	----------

NBC-PP-A1PRD:10 - Port Guard Security Element



1041900

<https://www.phoenixcontact.com/us/products/1041900>

Environmental product compliance

China RoHS	Environmentally friendly use period: unlimited = EFUP-e No hazardous substances above threshold values
------------	---

NBC-PP-A1PRD:10 - Port Guard Security Element



1041900

<https://www.phoenixcontact.com/us/products/1041900>

Accessories

CUC-I-J1ZNI-S/R4IDC8 - RJ45 jack insert

1417274

<https://www.phoenixcontact.com/us/products/1417274>



RJ45 jack insert, design: RJ45, degree of protection: IP20, number of positions: 8, 10 Gbps, CAT6_A, material: Metal, connection method: IDC connection, connection cross section: AWG 26- 22, cable outlet: straight, Adapter-free design, Ethernet

Phoenix Contact 2023 © - all rights reserved
<https://www.phoenixcontact.com>

Phoenix Contact USA
586 Fulling Mill Road
Middletown, PA 17057, United States
(+717) 944-1300
info@phoenixcon.com