

TLR. | Clamps tensile compensated

Steel or stainless steel



STANDARD EXECUTIONS

- **TLR.Z:** zinc-plated steel.
- **TLR.SST:** AISI 304 stainless steel.

FEATURES AND APPLICATIONS

TLR hook clamps are particularly suitable for use on doors subject to vibrations for the action of tensile compensation exerted by the springs.



TLU. | Adjustable hook clamps

Steel



LEVER BODY AND CATCH BRACKET MATERIAL

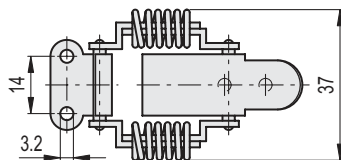
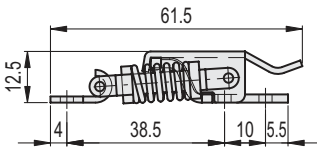
Zinc-plated steel.

FEATURES AND APPLICATIONS

TLU hook clamps are particularly suitable for use on inclined surfaces.



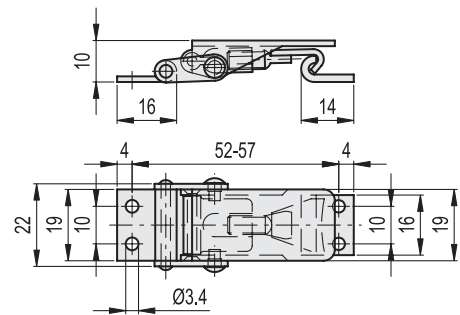
- 1
- 2
- 3
- 4
- 5
- 6
- 7
- 8
- 9
- 10
- 11
- 12
- 13
- 14
- 15
- 16
- 17
- 18



METRIC

TLR.Z

Code	Description	Max. working load [N]	Load at breakage [N]	⚖️
420202	TLR.Z-37/61,5+R	500	1500	35



METRIC

Code	Description	Max. working load [N]	Load at breakage [N]	⚖️
420232	TLU.Z-19/60-65+R	750	1500	35



TLR.SST

420201	TLR.SST-37/61,5+R	500	1500	35
--------	-------------------	-----	------	----