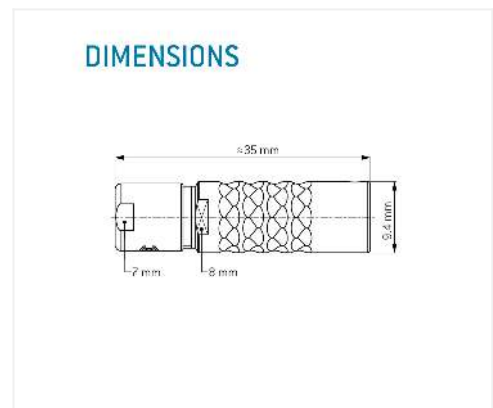


### General information

|                   |                     |
|-------------------|---------------------|
| Part number       | K10LOC-P05NFG0-4200 |
| Termination       | crimp               |
| Size              | 0                   |
| Locking principle | break , push        |
| Coding            | 0_key               |
| Cable Diameter    | cable_mini_42       |
| Cable outlet      | standard            |



### Contact insert description

|                    |           |
|--------------------|-----------|
| Number of contacts | 5         |
| Contact type       | sockets   |
| Contact diameter   | 07mm      |
| Insulator material | peek      |
| Wire cross section | 22-26_awg |
| Termination        | crimp     |

reverse\_gender\_on\_request

### Technical information

|  |          |               |
|--|----------|---------------|
| Max. creepage and air clearance distance | 05_mm    | 06_mm         |
| Nominal current single contact           | 075_a    | iec_60512_5_2 |
| Nominal current insert                   | 5,625 A  | vde_0298_4    |
| Test voltage                             | 06_kv_ac | sae_13441     |

safety\_text

## Mechanical and environmental data

|                       |      |
|-----------------------|------|
| Degree of protection* | ip50 |
|-----------------------|------|

|                       |          |
|-----------------------|----------|
| Operating temperature | 40_120_c |
|-----------------------|----------|

|               |      |
|---------------|------|
| Mating cycles | 5000 |
|---------------|------|

mated\_unmated

## Material and surface treatments

|         |          |
|---------|----------|
| Housing | m_chrome |
|---------|----------|

|         |               |
|---------|---------------|
| Contact | cu_alloy_gold |
|---------|---------------|

safety\_text\_2

ul\_text

illustrative\_text