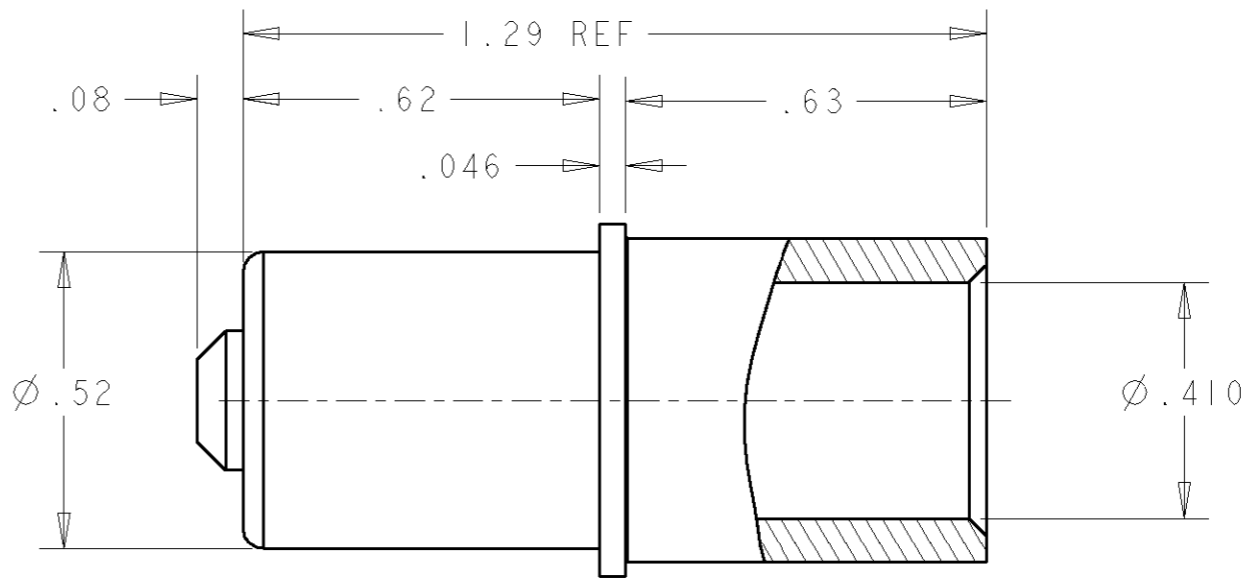
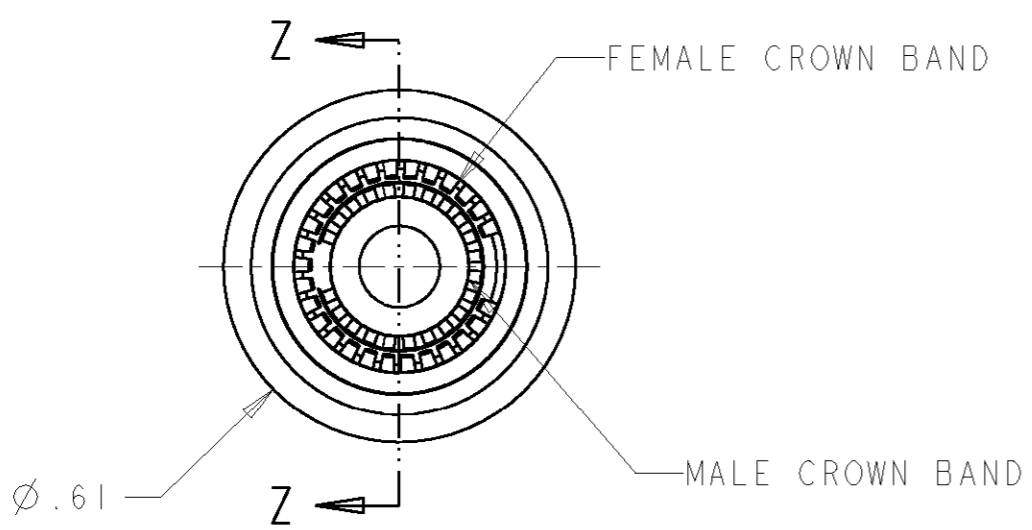


THIS DRAWING IS UNPUBLISHED. RELEASED FOR PUBLICATION 20
 © COPYRIGHT 20 BY TYCO ELECTRONICS CORPORATION. ALL RIGHTS RESERVED.

LOC	DIST	REVISIONS			
P	LTR	DESCRIPTION	DATE	DWN	APVD
GP	00	A	RELEASED	11JAN2007	RG DO



SECTION Z-Z

- PART NUMBER CHANGES AND/OR DESIGN CHANGES AFFECTING ITEM INTERCHANGEABILITY REQUIRES PRIOR TYCO APPROVAL AND AUTHORIZATION BY REVISION TO THIS DRAWING.
- ITEMS PROVIDED TO THIS SPECIFICATION SHALL BE IDENTIFIED ON THE PACKAGE AS FOLLOWS: MFG IDENTIFICATION AND PART NUMBER.

3 MATERIAL:
 SOCKET BODY AND HOOD: COPPER ALLOY
 CROWN: COPPER ALLOY
 PROBE PROOF CAP: THERMOPLASTIC, UL 94V-0 RECOGNIZED.

4 FINISH:
 SOCKET BODY AND HOOD: SILVER PLATE .000200 MIN THK. OVER NICKEL PLATE .000040 MIN THK.
 CROWN BANDS: GOLD PLATE .000030 MIN THK. OVER NICKEL .000040 MIN THK.

AS SHOWN	1926301-1
DESCRIPTION	PART NO.

<small>THIS DRAWING IS A CONTROLLED DOCUMENT FOR TYCO ELECTRONICS CORPORATION IT IS SUBJECT TO CHANGE AND THE CONTROLLING ENGINEERING ORGANIZATION SHOULD BE CONTACTED FOR THE LATEST REVISION.</small>		DWN 20NOV2006 R.GRZYBOWSKI CHR 20NOV2006 D.ORRIS APVD 20NOV2006 S.FLICKINGER		tyco Tyco Electronics Electronics Harrisburg, PA 17105-3608	
DIMENSIONS: INCHES 		TOLERANCES UNLESS OTHERWISE SPECIFIED: 0 PLC ± 1 PLC ± 2 PLC ±.02 3 PLC ±.010 4 PLC ± ANGLES ±.5		NAME CONTACT, SOCKET, SIZE #0 DOUBLE CROWN, CRIMP #2	
MATERIAL - FINISH - 3 4		PRODUCT SPEC - APPLICATION SPEC - WEIGHT -		SIZE A3 CAGE CODE 00779 DRAWING NO C-1926301 RESTRICTED TO -	
CUSTOMER DRAWING				SCALE 3:1 SHEET 1 OF 1 REV A	