

© 1969 BY AMP INCORPORATED. ALL RIGHTS RESERVED. AMP PRODUCTS COVERED BY PATENTS AND/OR PATENTS PENDING.

REVISIONS				
ZONE	LTR	DESCRIPTION	DATE	APPROVED
	W	REV PER EC 0320-209-97	7-7-97	NS
	W1	REVISED PER ECO-09-026444	NOV09	AEG

PART NO.	NO. OF POS.	A	B	C	D
583485-1	4	.100	.300	.100	.500
2	34		3.300	.050	3.400
3	50		4.900	.100	5.100
4	15		1.400	.100	1.600
5	60		5.700	.050	6.000
6	3		.200	.100	.400
7	5		.400		.600
8	6		.500		.700
9	7		.600		.800
1-583485-0	8		.700		.900
1	9		.800		1.000
1-2	10		.900		1.100
1	11		1.000		1.200
1	12		1.100		1.300
1	13		1.200		1.400
1	14		1.300		1.500
1	16		1.500		1.700
1	17		1.600		1.800
1	18		1.700		1.900
2-583485-0	19		1.800		2.000
2	20		1.900		2.100
2	21		2.000		2.200
2	22		2.100		2.300
2	23		2.200		2.400
2	24		2.300		2.500
2	25		2.400		2.600
2	26		2.500		2.700
2	27		2.600		2.800
2	28		2.700		2.900
3-583485-0	29		2.800		3.000
3	30		2.900		3.100
3	31		3.000		3.200
3	32		3.100		3.300
3	33		3.200		3.400
3	34		3.300		3.500
3	35		3.400		3.600
3	36		3.500		3.700
3	37		3.600		3.800
3	38		3.700		3.900
3	39		3.800		4.000
4-583485-0	40		3.900		4.100
4	41		4.000		4.200
4	42		4.100		4.300
4	43		4.200		4.400
4	44		4.300		4.500
4	45		4.400		4.600
4	46		4.500		4.700
4	47		4.600		4.800
4	48		4.700		4.900
4	49		4.800	.100	5.000
5	50		4.900	.050	5.000
5	1		5.900	.100	6.100
5	2		3.300	.100	3.500
5	3		8.600	.100	8.800
5	4		7.700	.100	7.900
5-583485-5	50	.100	7.900	.100	8.100
5-583485-6	65	.100	6.400	.100	6.600

OBSOLETE ⚠

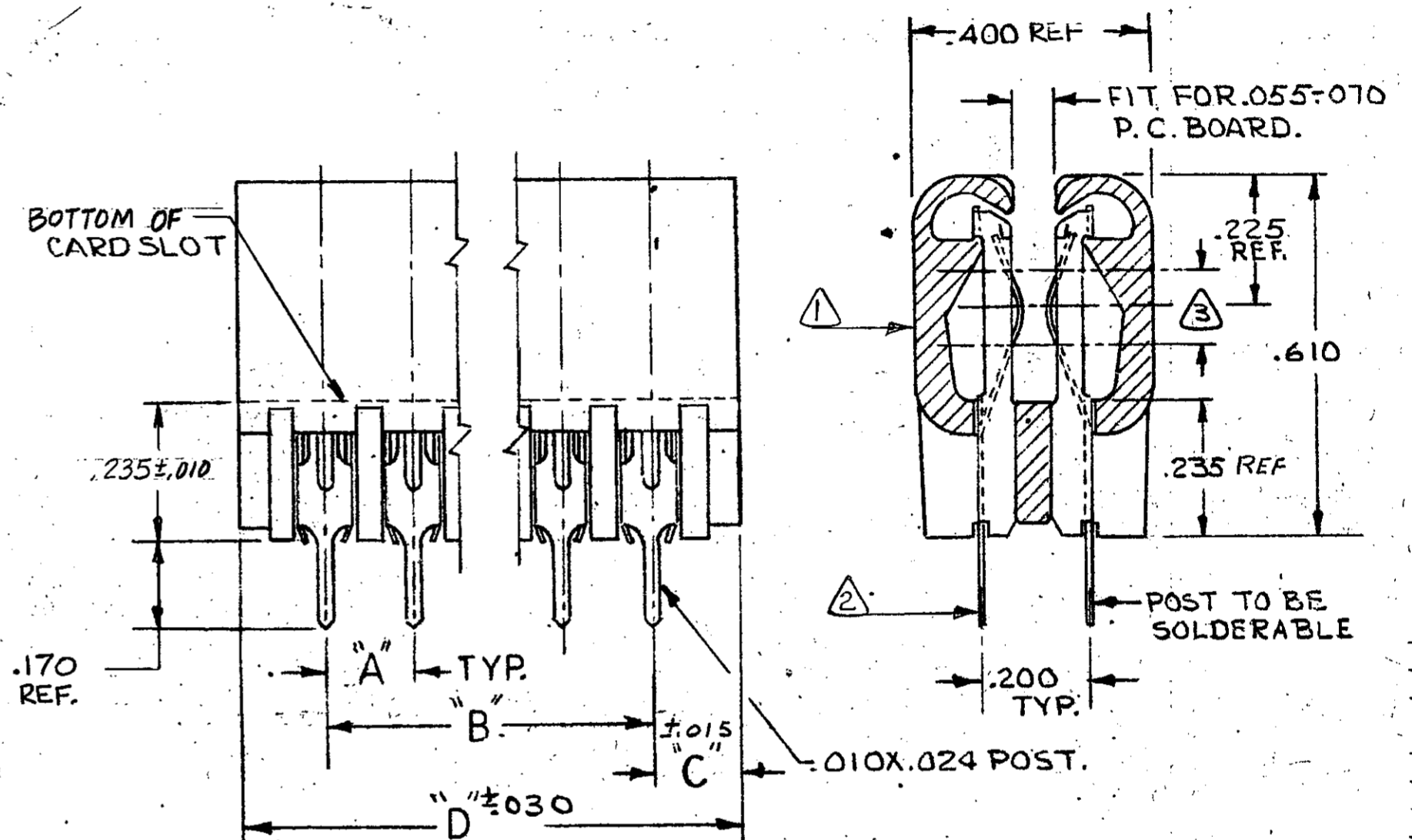
OBSOLETE ⚠

OBSOLETE ⚠

OBSOLETE ⚠

OBSOLETE ⚠

OBSOLETE ⚠



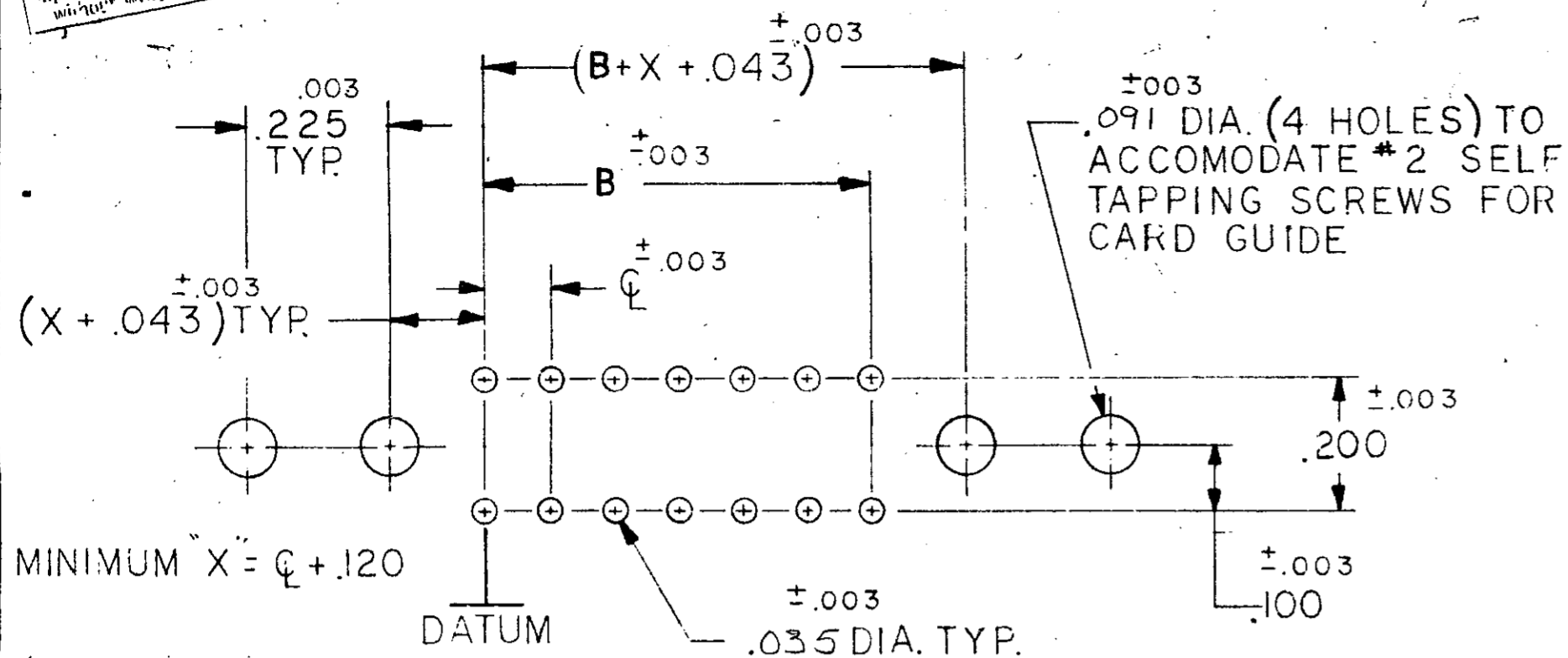
- ⚠ FINISH: .000015 GOLD. SELECTIVE.
- ⚠ SEE SHEET 2 FOR RECOMMENDED PRINTED CIRCUIT BOARD LAYOUT.
- ⚠ OBSOLETE PARTS: OBSOLETE CIS STREAMLINING PER D.RENAUD/D.SINISI

UNLESS OTHERWISE SPECIFIED, DIMENSIONS ARE IN INCHES TOLERANCES ON: DECIMALS ±.005 ANGLES ±.2	CONTRACT NO.	AMP INCORPORATED HARRISBURG, PENNSYLVANIA	
	DR <i>Punkle</i> 1-29-73	NAME HOUSING ASS'Y., TWIN LEAF, .100 C, SOLDER TYPE POST,	
	CHK <i>M. Ziegler</i> 2-5-73	SIZE C	CODE IDENT NO. 00779
	APPD <i>Jerry M. Brown</i> 2-5-73	NUMBER 583485	SHEET 1 OF 2 SHTS.
MATERIAL HOUSING: GLASS FILLED POLYESTER COLOR: BLACK	REL <i>E. G. Trump</i> 3/13/73	SCALE	
CONTACT: PHOS. BRONZE	DSGN APPD		
	OTHER APPD		

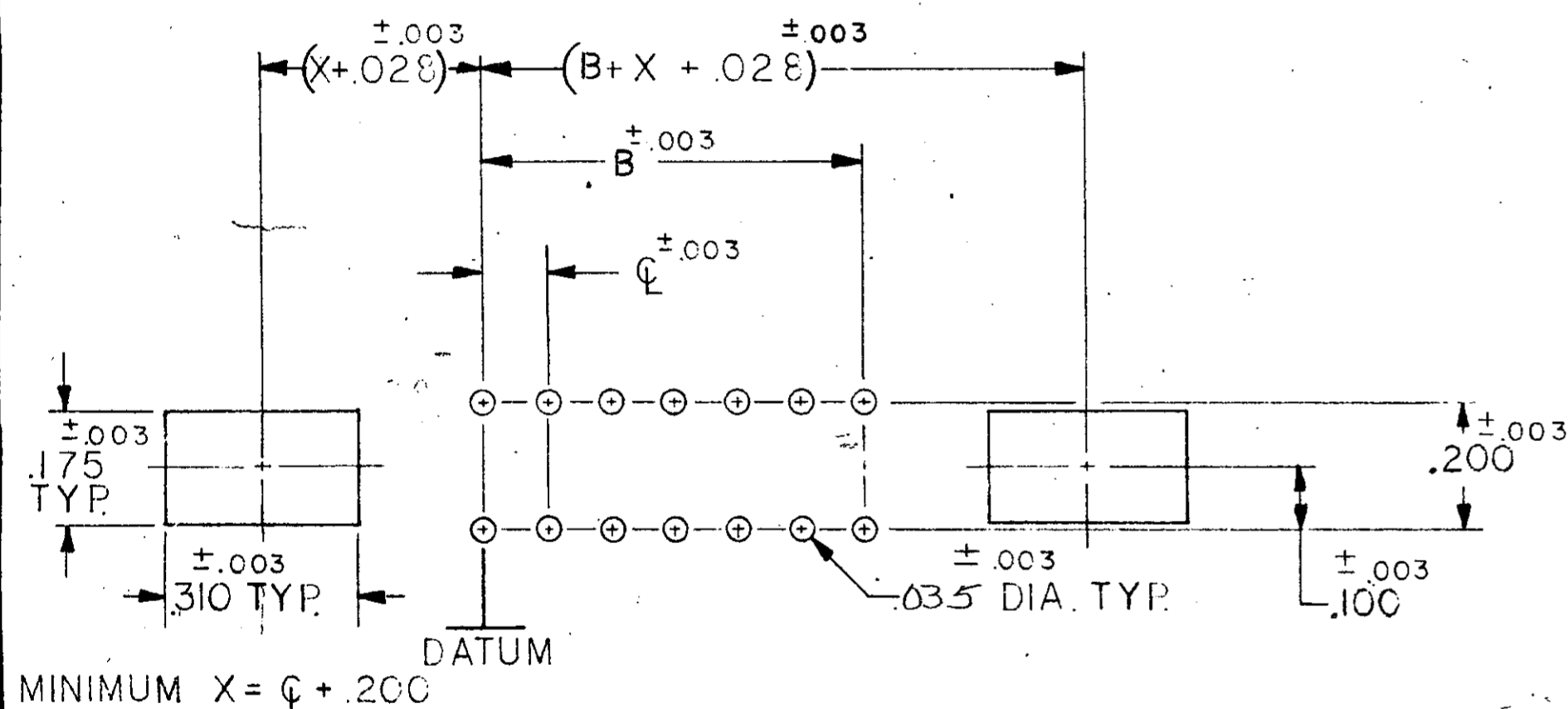
PRINT DIST 22

© 1967 BY AMP INCORPORATED. ALL RIGHTS RESERVED. AMP PRODUCTS COVERED BY PATENTS AND/OR PATENTS PENDING.

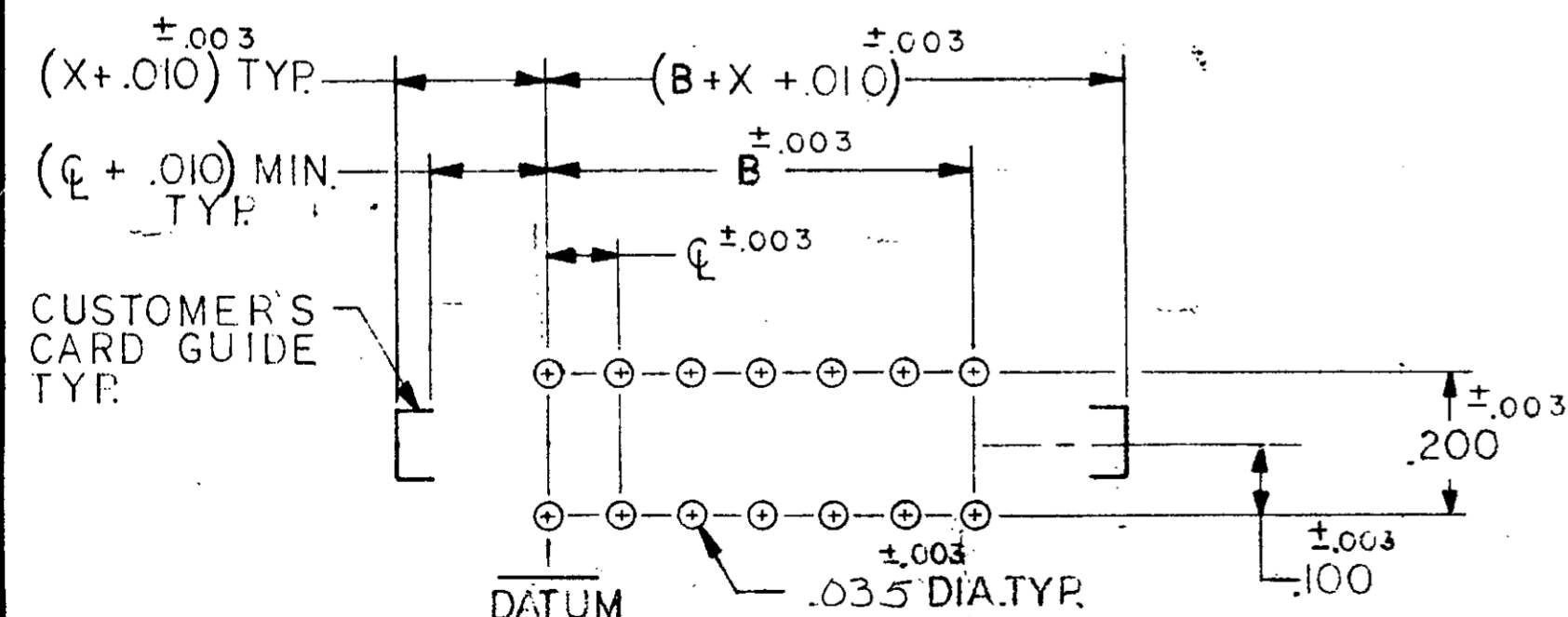
REVISIONS				
ZONE	LTR	DESCRIPTION	DATE	APPROVED
SEE SHEET 1				



BOARD LAYOUT FOR USE WITH AMP CARD GUIDE PART NO. 583671



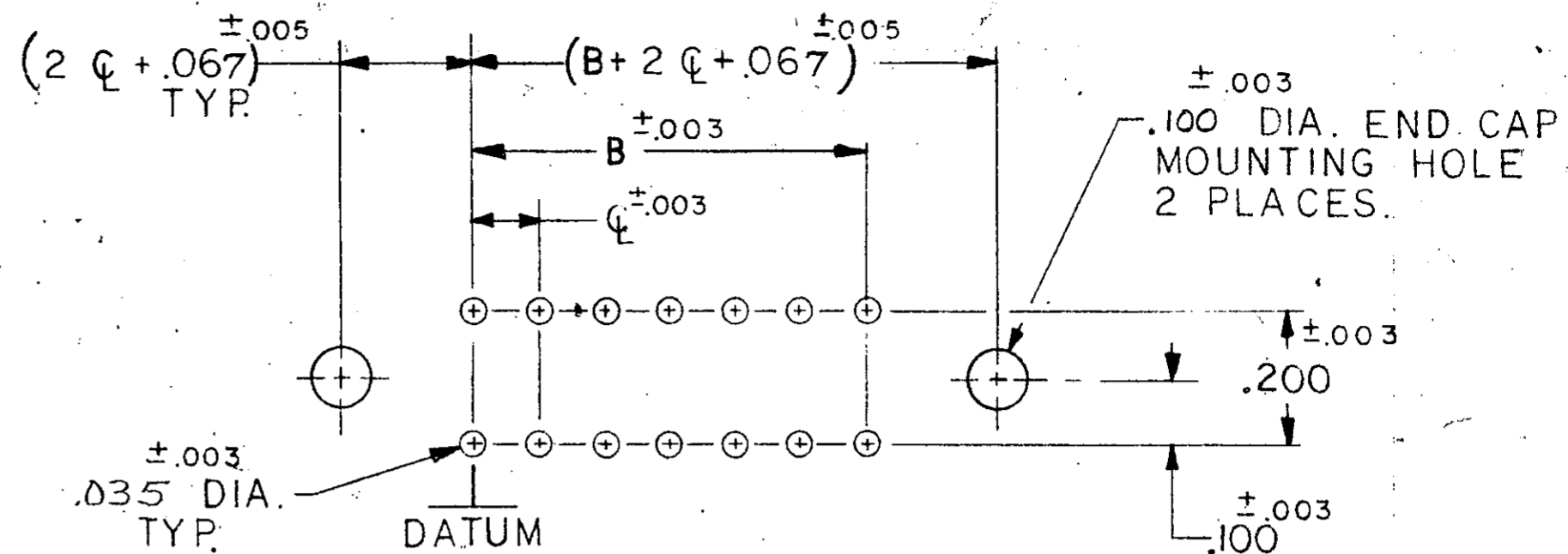
BOARD LAYOUT FOR USE WITH AMP CARD GUIDE PART NO. 583408 CR 583425



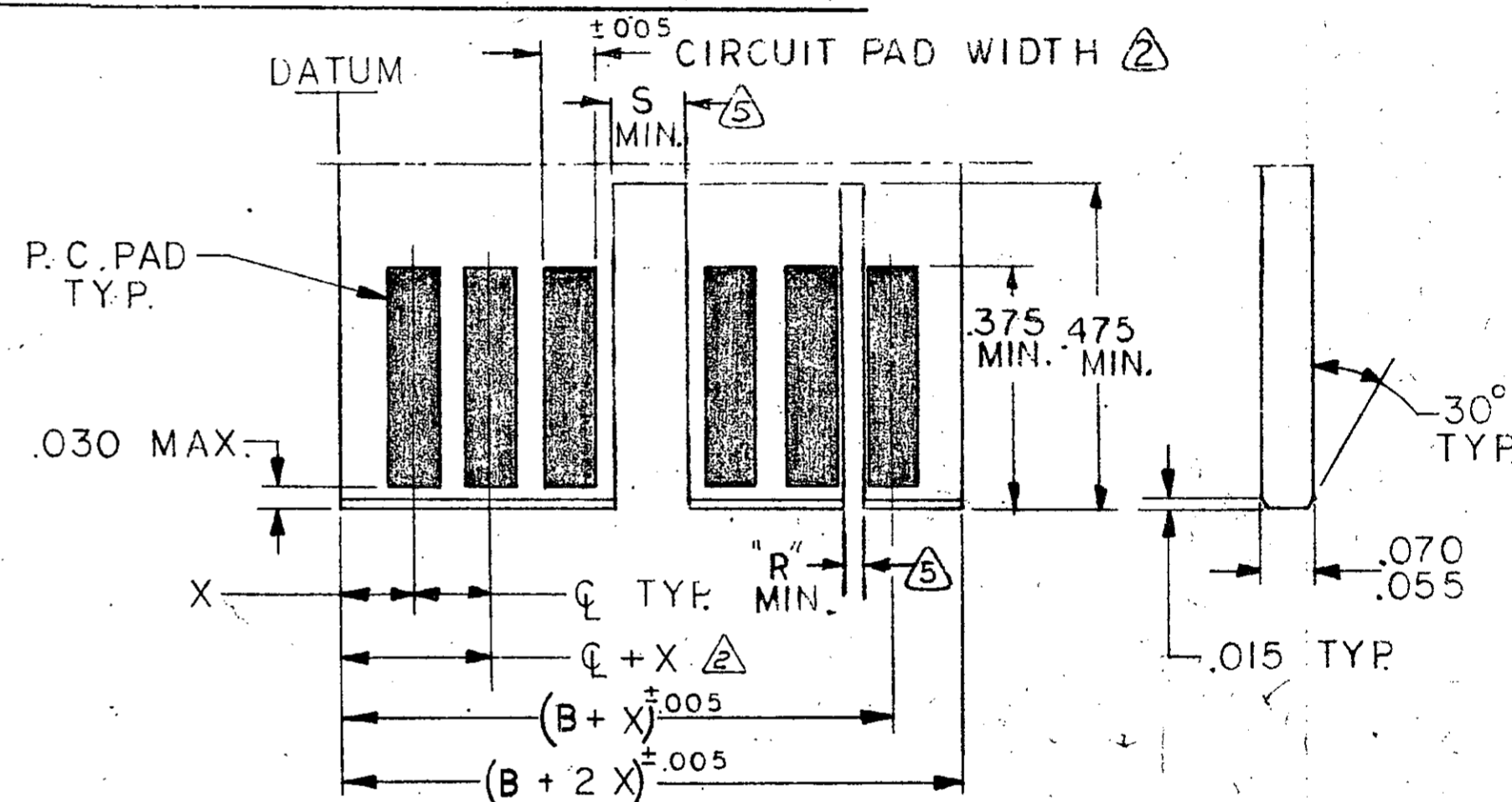
BOARD LAYOUT FOR USE WITH CUSTOMER SUPPLIED CARD GUIDE

THE SLOT FOR INTER-CONTACT KEYING PLUGS MUST BE CENTERED BETWEEN THE PRINTED CIRCUIT PADS, WHILE THE SLOT FOR ON-CONTACT KEYING PLUGS MUST BE CENTERED ON THE AREA OF A PRINTED CIRCUIT PAD.

INTER-CONTACT KEYING PLUG.	"R"	FOR CENTER LINE SPACING	ON CONTACT KEYING PLUG.	"S"	FOR CENTER LINE SPACING
530030-1	.050	.125-.150-.156	583714-1	.129	.100-.125
530030-2	.040	.100	583714-2	.160	.150-.156



BOARD LAYOUT FOR USE WITH END CAP



DAUGHTER BOARD LAYOUT

- MAX. ALLOWABLE WARPAGE OF MOTHER BOARD NOT TO EXCEED .005/IN. MAX. ALLOWABLE BOW OF DAUGHTER BOARD NOT TO EXCEED .010/IN. THICKNESS OF MOTHER BOARD IS .062 FOR DOUBLE SLOTTED CARD GUIDES AND .104 MAX. FOR ALL OTHER MOUNTING CONDITIONS.
- EACH PAD LOCATION INCREASES BY $C \pm .005$ WITH A NON-CUMULATIVE TOLERANCE OF $\pm .005$.
CIRCUIT PAD WIDTH - .052 FOR .100 C
.072 FOR .125 C
.072 FOR .150 C
.080 FOR .156 C
- DIMENSIONS APPLY TO BOTH SIDES OF DAUGHTER BOARD.
- INCREMENTS ON MOTHER BOARD HAVE $\pm .003$ NON-CUMULATIVE TOLERANCE.
- "X" IS A CUSTOMER CONTROLLED DIMENSION EXCEPT FOR END CAP ASSEMBLIES WHERE "X" = $C - .008$

UNLESS OTHERWISE SPECIFIED, DIMENSIONS ARE IN INCHES TOLERANCES ON : DECIMALS ± ANGLES ±	CONTRACT NO.	AMP INCORPORATED HARRISBURG, PENNSYLVANIA
	DR <i>Rumbl</i> 1-29-73	
MATERIAL	CHK <i>M. Zeigler</i> 2-5-73	NAME HOUSING ASSEMBLY TWIN LEAF CONNECTOR .100 CENTERS.
	APPD <i>Larry M. Brown</i> 2-14-73	SIZE CODE IDENT NO. NUMBER C 00779 583485
	REL <i>R. B. Trump</i> 3/13/73	SCALE
	OSGN APPD	SHEET 2 OF 2 SHES.
	OTHER APPD	

NUMBER 583485