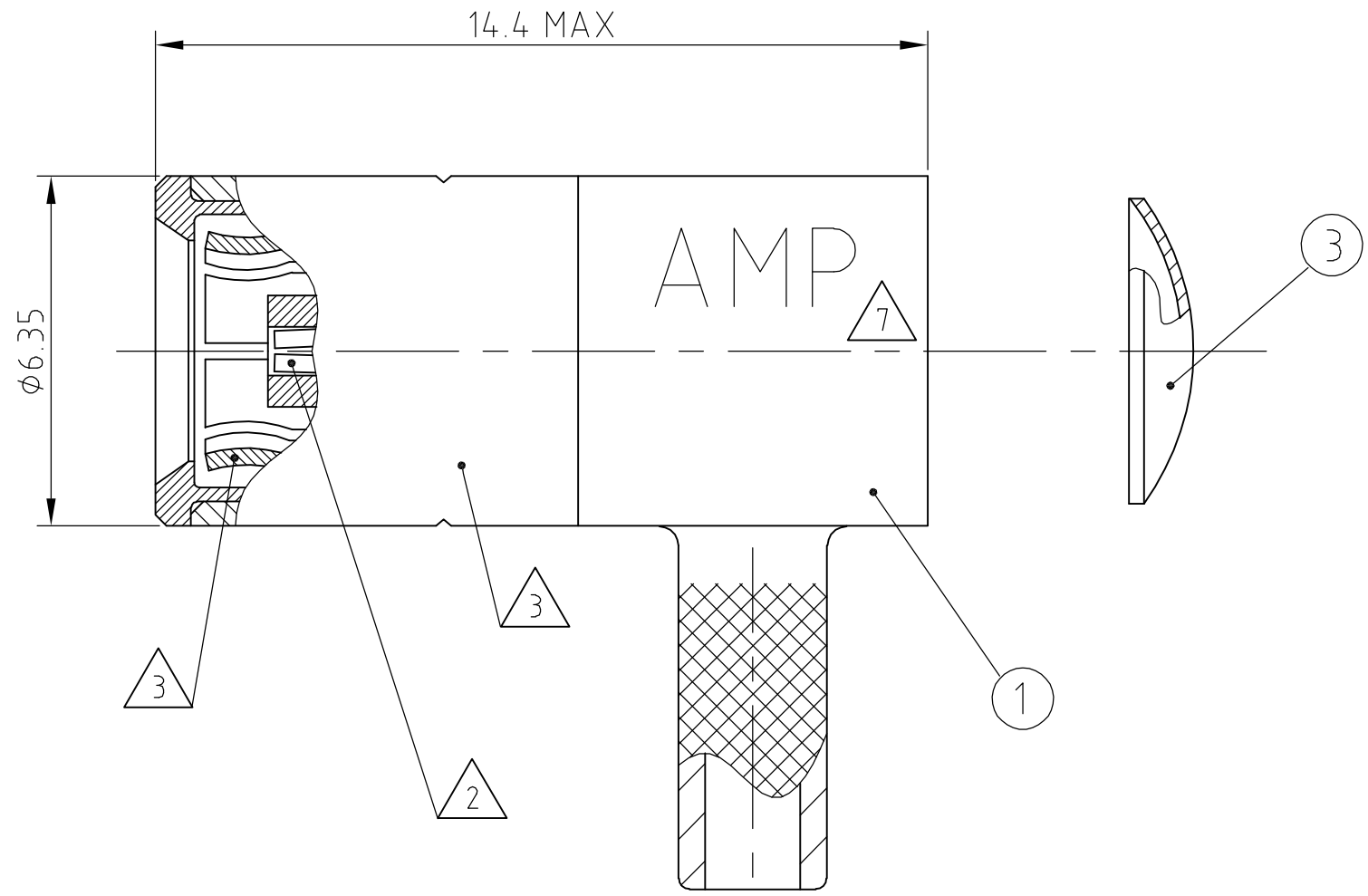
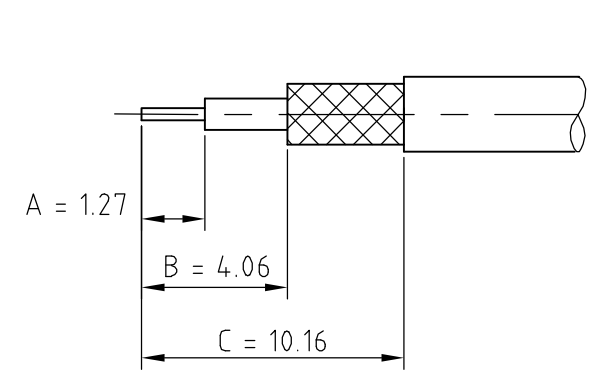


THIS DRAWING IS UNPUBLISHED. RELEASED FOR PUBLICATION OCTOBER, 2002.
 © COPYRIGHT 2002 BY TYCO ELECTRONICS CORPORATION. ALL RIGHTS RESERVED.

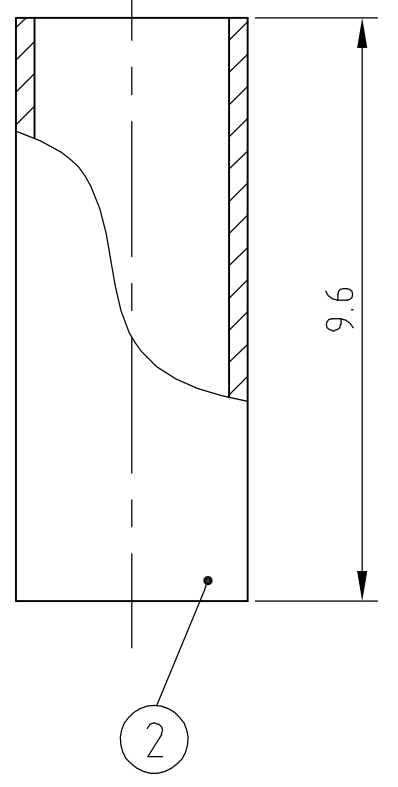
LOC EK	DIST 00	REVISIONS			
P	LTR	DESCRIPTION	DATE	DWN	APVD
	C	EBD0-0298-04	26JUL04	JMS	SP



- 1 COMPLIES WITH MIL-C-39012
- 2 PLATING: 1.27 μm MIN Au OVER Ni
- 3 PLATING: Ni
- 4 1000 SMB IN A CARTON BOX
- 5 CABLETYP: RG174
- 6 SEE INSTRUCTION SHEET: 408-2987-9
- 7 AMP LOGO



STRIPPING DIMENSIONS
(unscaled)



619203-1	3	1	CAP	BRASS	3
4	2	1	FERRULE	BRASS	3
	1	1	PLUG ASSY	-	2 3
ORDER N°	ITEM	NBR	DESCRIPTION	MATERIAL	PLATING
THIS DRAWING IS A CONTROLLED DOCUMENT.			DWN F. Rossier 05NOV02	Tyco Electronics Corporation RF Team, Switzerland	
			CHK B. Rithener 05NOV02		
DIMENSIONS: MM			NAME		
TOLERANCES UNLESS OTHERWISE SPECIFIED:			PRODUCT SPEC		
0 PLC ± 0.3			APPLICATION SPEC		
1 PLC ± 0.3			SIZE		
2 PLC ± 0.13			CAGE CODE		
3 PLC ± -			DRAWING NO		
4 PLC ± -			RESTRICTED TO		
ANGLES ± 1°			A3 00779 C-619203		
MATERIAL			WEIGHT		
FINISH			CUSTOMER DRAWING		
			SCALE 15:1		SHEET 1 OF 1
			REV C		