

NOTES:

1. ALL DIMENSIONS ARE REFERENCE.

2. MATERIALS:

(C) HOUSING: ABS OR PBT, UL-94HB, BLACK

(C) COLOR INSERT: POM OR PBT, UL-94HB

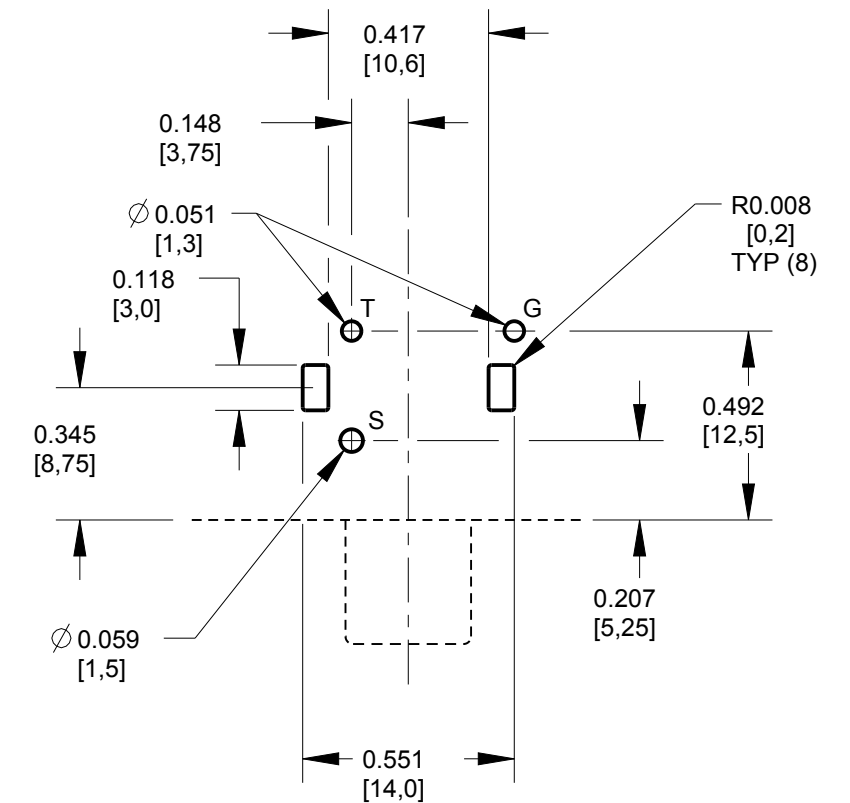
SHELL & SLEEVE TERMINAL: COPPER ALLOY,  
SEE TABLE FOR PLATING.

(B) TIP TERMINAL: COPPER ALLOY,  
SEE TABLE FOR PLATING

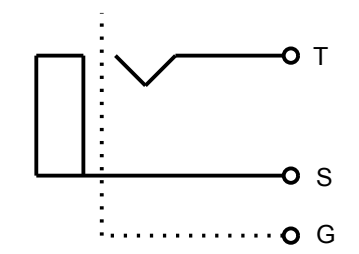
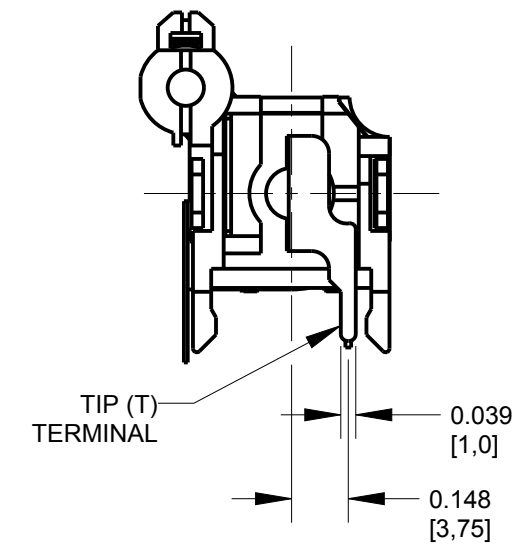
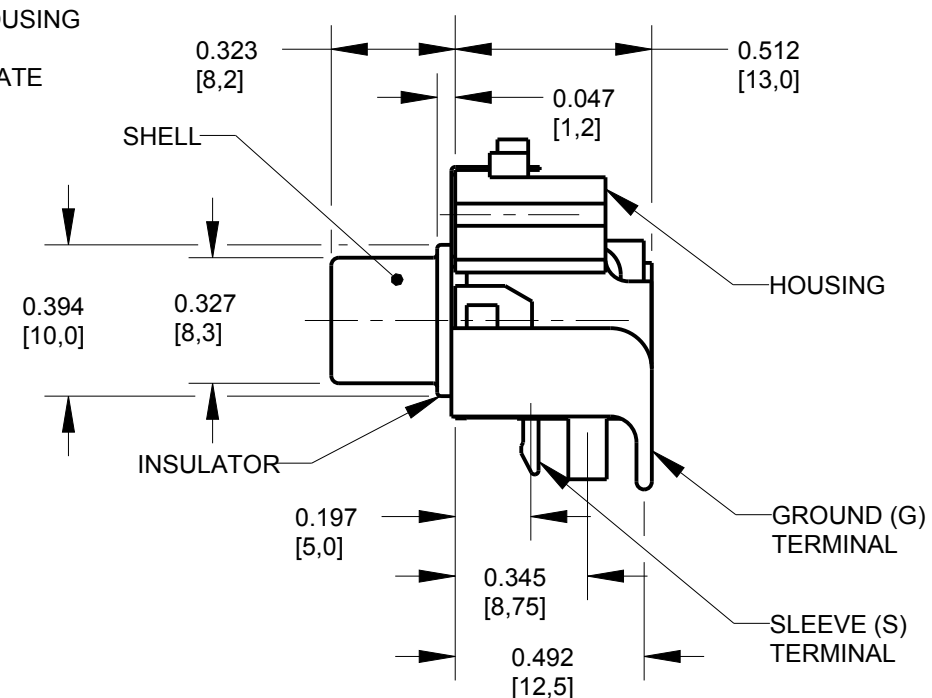
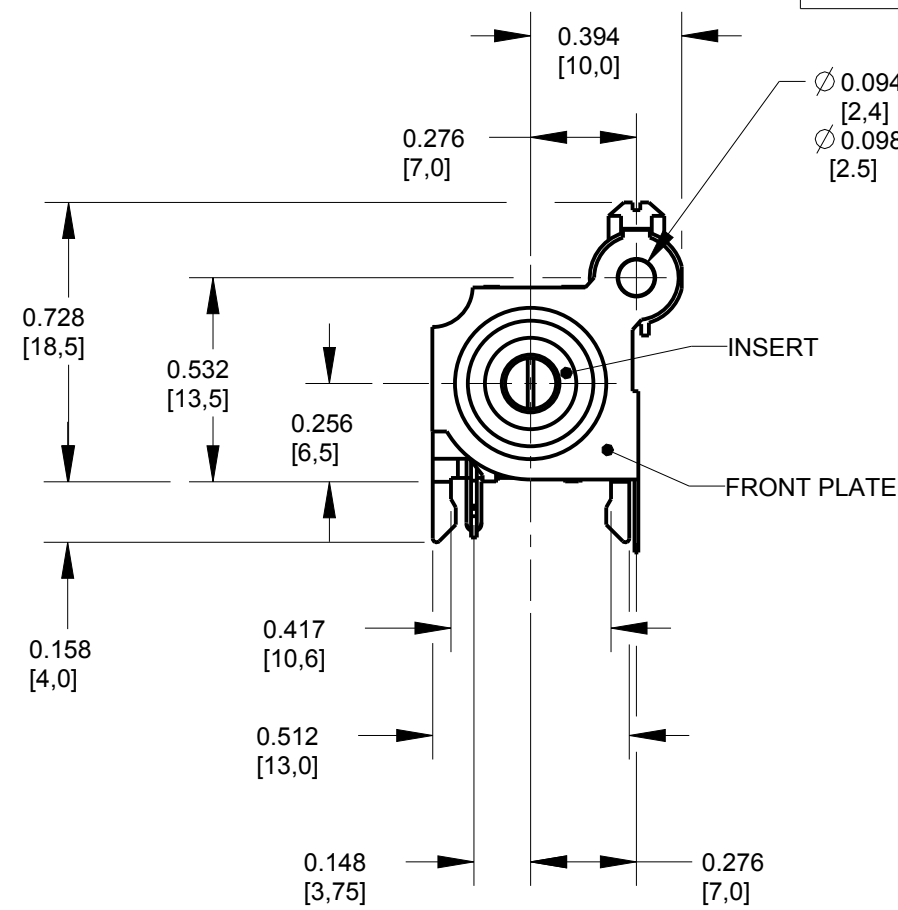
(B) FRONT PLATE & GROUND TERMINAL: COPPER ALLOY,  
SEE TABLE FOR PLATING

3. THIS PART IS RoHS COMPLIANT

PART NUMBER	INSERT COLOR	SHELL AND SLEEVE TERMINAL FINISH	TIP TERMINAL	FRONT PLATE & GROUND TERMINAL
PJRS1X1S01X	BLACK	NICKEL PLATED	MATTE TIN PLATED	MATTE TIN PLATED
PJRS1X1S01AUX	BLACK	GOLD PLATED	MATTE TIN PLATED	MATTE TIN PLATED
PJRS1X1S01AUALLX	BLACK	GOLD PLATED	GOLD PLATED	GOLD PLATED
PJRS1X1S02X	WHITE	NICKEL PLATED	MATTE TIN PLATED	MATTE TIN PLATED
PJRS1X1S02AUX	WHITE	GOLD PLATED	MATTE TIN PLATED	MATTE TIN PLATED
PJRS1X1S03X	RED	NICKEL PLATED	MATTE TIN PLATED	MATTE TIN PLATED
PJRS1X1S03AUX	RED	GOLD PLATED	MATTE TIN PLATED	MATTE TIN PLATED
PJRS1X1S03AUALLX	RED	GOLD PLATED	GOLD PLATED	GOLD PLATED
PJRS1X1S04X	YELLOW	NICKEL PLATED	MATTE TIN PLATED	MATTE TIN PLATED
PJRS1X1S04AUX	YELLOW	GOLD PLATED	MATTE TIN PLATED	MATTE TIN PLATED
PJRS1X1S05X	BLUE	NICKEL PLATED	MATTE TIN PLATED	MATTE TIN PLATED
PJRS1X1S05AUALLX	BLUE	GOLD PLATED	GOLD PLATED	GOLD PLATED
PJRS1X1S06X	GREEN	NICKEL PLATED	MATTE TIN PLATED	MATTE TIN PLATED
PJRS1X1S06AUALLX	GREEN	GOLD PLATED	GOLD PLATED	GOLD PLATED
PJRS1X1S07X	ORANGE	NICKEL PLATED	MATTE TIN PLATED	MATTE TIN PLATED
PJRS1X1S07AUX	ORANGE	GOLD PLATED	MATTE TIN PLATED	MATTE TIN PLATED



P.C. BOARD LAYOUT  
COMPONENT SIDE



SCHEMATIC

CUSTOMER DRAWING

REV	ECO NUMBER	DATE	BY	APVD
C	27929	08-17-17	PC	TJK
B	25738	10-26-07	TJK	TJK
A	25181	1-13-06	JL	TJK

★ STAR SYMBOL DENOTES CRITICAL DIMENSION

UNLESS OTHERWISE SPECIFIED

1. ALL DIMENSIONS IN INCHES  
-TWO PLACE DECIMALS ±0.01  
-THREE PLACE DECIMALS ±0.005  
-ANGLES ±1°  
-ALL DIA. CONCENTRIC WITHIN 0.005 T.I.R.

2. FEATURES ON THE SAME CENTERLINE MUST BE ALIGNED WITHIN ±0.002

3. REMOVE ALL BURRS

DO NOT SCALE DRAWING

THIS DRAWING DESCRIBES A DESIGN CONSIDERED PROPRIETARY IN NATURE, DEVELOPED AND MANUFACTURED BY SWITCHCRAFT INC. AND IS RELEASED ON A CONFIDENTIAL BASIS FOR IDENTIFICATION PURPOSES ONLY.				
SIZE	WIDTH	MULT	LBS/M	TEMPER
FINISH		MATERIAL		
SPEC No.		SPEC No.		
FIRST USED ON		SCALE		
		2:1		
DATE DRAWN	BY	CHKD	APVD	
13-Jan-06	JL	TJK	TJK	
		1-13-06	1-13-06	
NAME			PART No.	REV
PHONO JACK, RIGHT ANGLE, 1 POS. SCREW MOUNT, SHIELDED, RoHS			PJRS1X1S__X SERIES	C
SHEET 1 OF 1				

