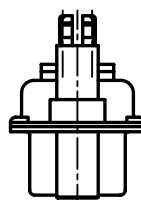
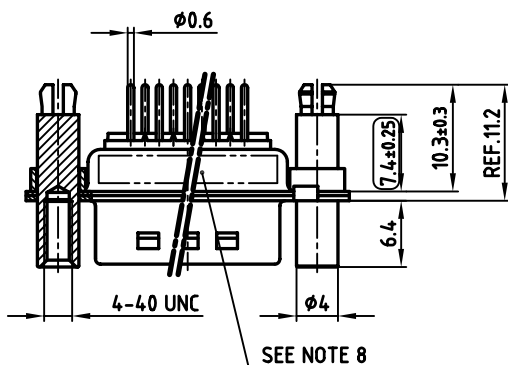
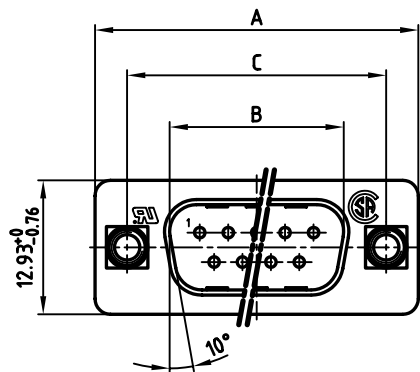
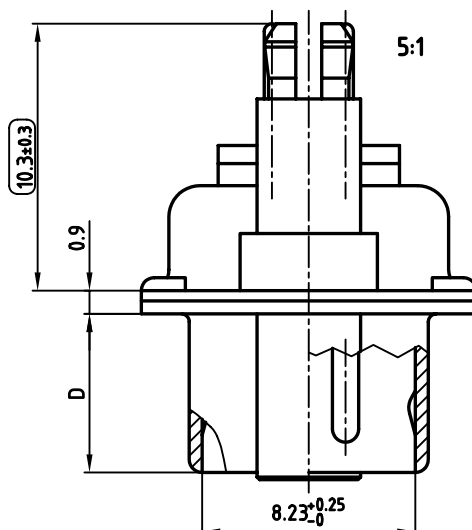


used for: D-SUB

POS.	A $-0.76$	B $+0.25$	C	D $-0.3$	PART NO.
9	31.19	16.79	25.00 $\begin{smallmatrix} +0.12 \\ -0.13 \end{smallmatrix}$	6.12	163A16259X
15	39.52	25.12	33.30 $\begin{smallmatrix} +0.15 \\ -0.1 \end{smallmatrix}$	6.12	163A16269X
25	53.42	38.84	47.04 $\pm 0.13$	5.99	163A16279X
37	69.70	55.30	63.50 $\pm 0.13$	5.99	163A16289X



**NOTES:**

- METALSHELLS: STEEL; min. 320µ" TIN
- INSULATORS: PBT GF UL 94 V-0, BLACK
- CONTACTS: COPPER ALLOY  
PLATING: 8µ" HARD GOLD OVER min. 50µ" NICKEL
- THREADED LOCK/SPACER CLIP: COPPER ALLOY; min. 200µ" TIN over 80µ" NICKEL  
PCB-HOLE:  $\phi 3.1 \pm 0.1$ ; PCB THICKNESS 1.6mm
- COLLAR: COPPER ALLOY; min. 200µ" TIN over 80µ" NICKEL
- P.C.B. HOLE DRILLINGS ON SHEET 2
- MAXIMUM TORQUE VALUE FOR THREAD: 6" LBS
- CONNECTOR IS PART MARKED: PART-NO. CONEC ABC
- = CHECK DIMENSION

Directive 2002/95/EC  
"RoHS"  
Compliant

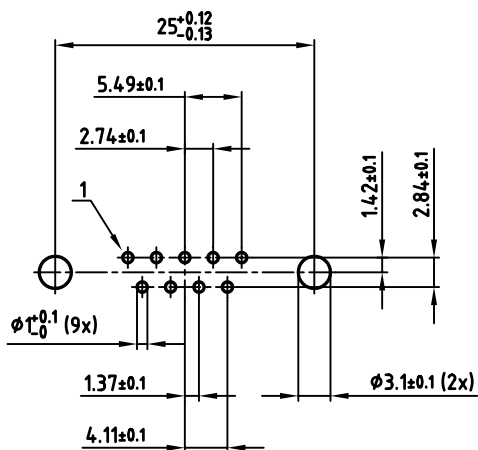
APPROVAL * FREIGABE * DEBLOCAGE * AUTORIZACION * APPROVAL	
CUSTOMER APPROVAL DATE:	
NAME:	TITLE:
COMPANY NAME:	
APPROVAL * FREIGABE * DEBLOCAGE * AUTORIZACION * APPROVAL	

THIS DRAWING MAY NOT BE COPIED OR REPRODUCED IN ANY WAY, AND MAY NOT BE PASSED ON TO A THIRD PARTY, WITHOUT WRITTEN PERMISSION. OWNERSHIP AND COPYRIGHT OF CONEC GmbH DO NOT ALTER CAD DRAWING BY HAND

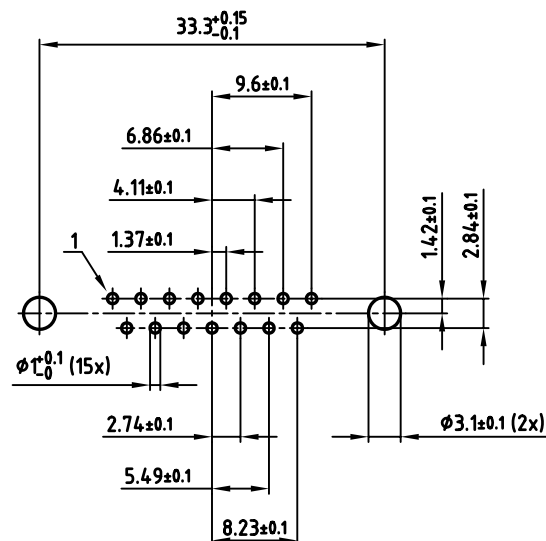
rev.	description	date	name
a	Origin		

tolerance		scale: 2:1 (5:1)
	dim. in mm	material: SEE NOTES
2006	date	name
drawn	13.03.	Lehmenkühler
appd.	13.03.	Mickenbecker
norm	DIN 41652	
d-old		
<b>CONEC</b>		title: D-SUB MALE 9-37pos. SOLDER PIN STRAIGHT with threaded lock and spacer clip
		dwg no: AutoCAD 2006 16K1A1777
part no: SEE TABLE		DIN-A 3 sh:1/2

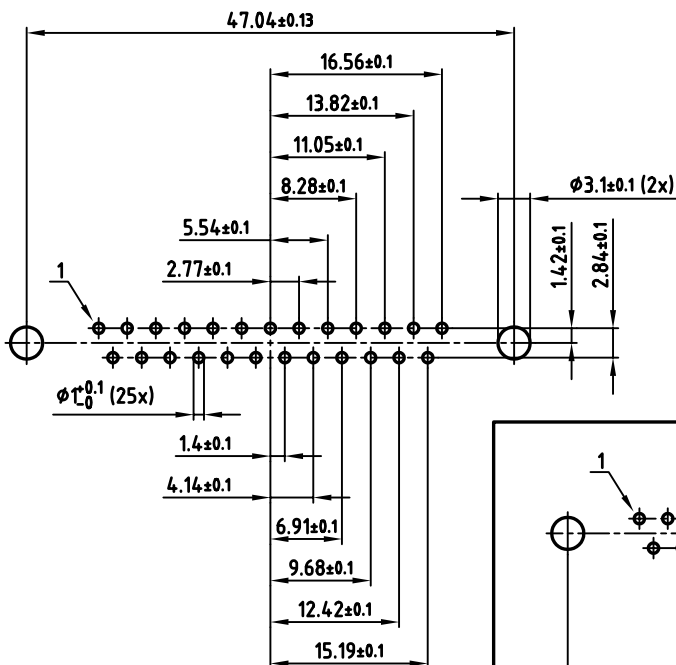
used for: D-SUB



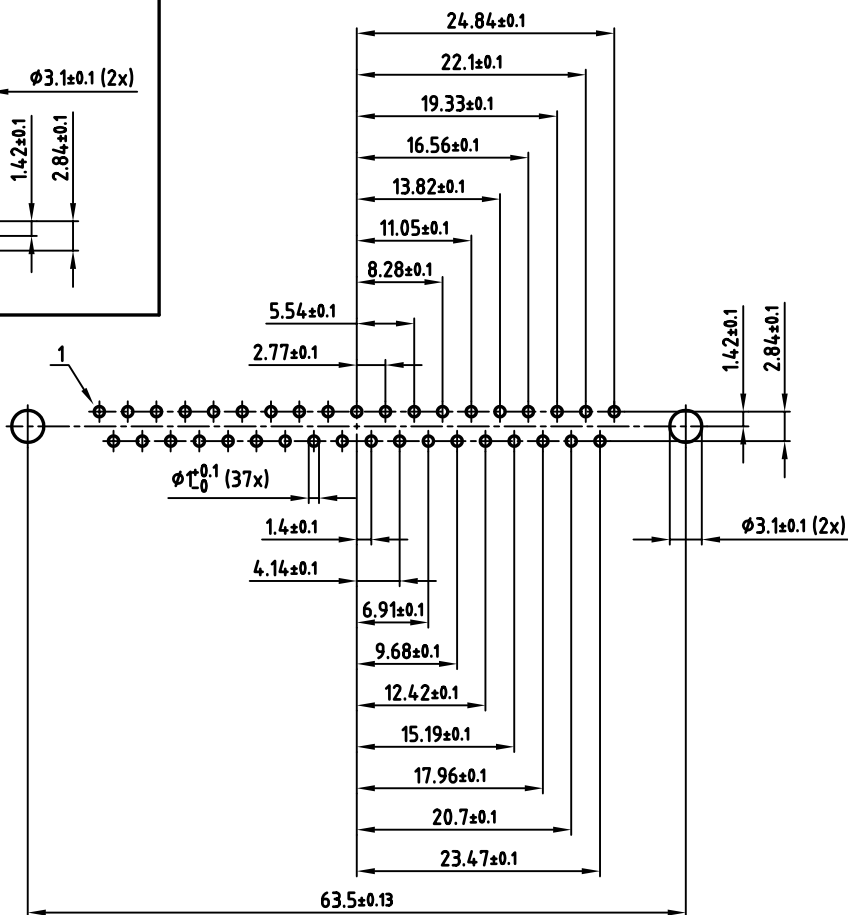
9 pos.



15 pos.



25 pos.



37 pos.

APPROVAL # FREIGABE # DEBLOCAGE # AUTORIZACION # APPROVAL

CUSTOMER APPROVAL DATE:

NAME: TITLE:

COMPANY NAME:

APPROVAL # FREIGABE # DEBLOCAGE # AUTORIZACION # APPROVAL

THIS DRAWING MAY NOT BE COPIED OR REPRODUCED IN ANY WAY, AND MAY NOT BE PASSED ON TO A THIRD PARTY, WITHOUT WRITTEN PERMISSION. OWNERSHIP AND COPYRIGHT OF CONEC GmbH. DO NOT ALTER CAD DRAWING BY HAND

rev.	description	date	name
a	Origin		

tolerance		scale:	2:1
	dim. in mm	material:	SEE SHEET 1
2006	date	name	
drawn	13.03.	Lehmenkühler	
appd.	13.03.	Mickenbecker	
norm	DIN 41652		
d-old			
		dwg no:	AutoCAD 2006
			DIN-A
			3
			sh:2/2

title: P.C.B. HOLE DRILLINGS  
D-SUB MALE 9-37pos. SOLDER PIN STRAIGHT with threaded lock and spacer clip

part no: SEE SHEET 1