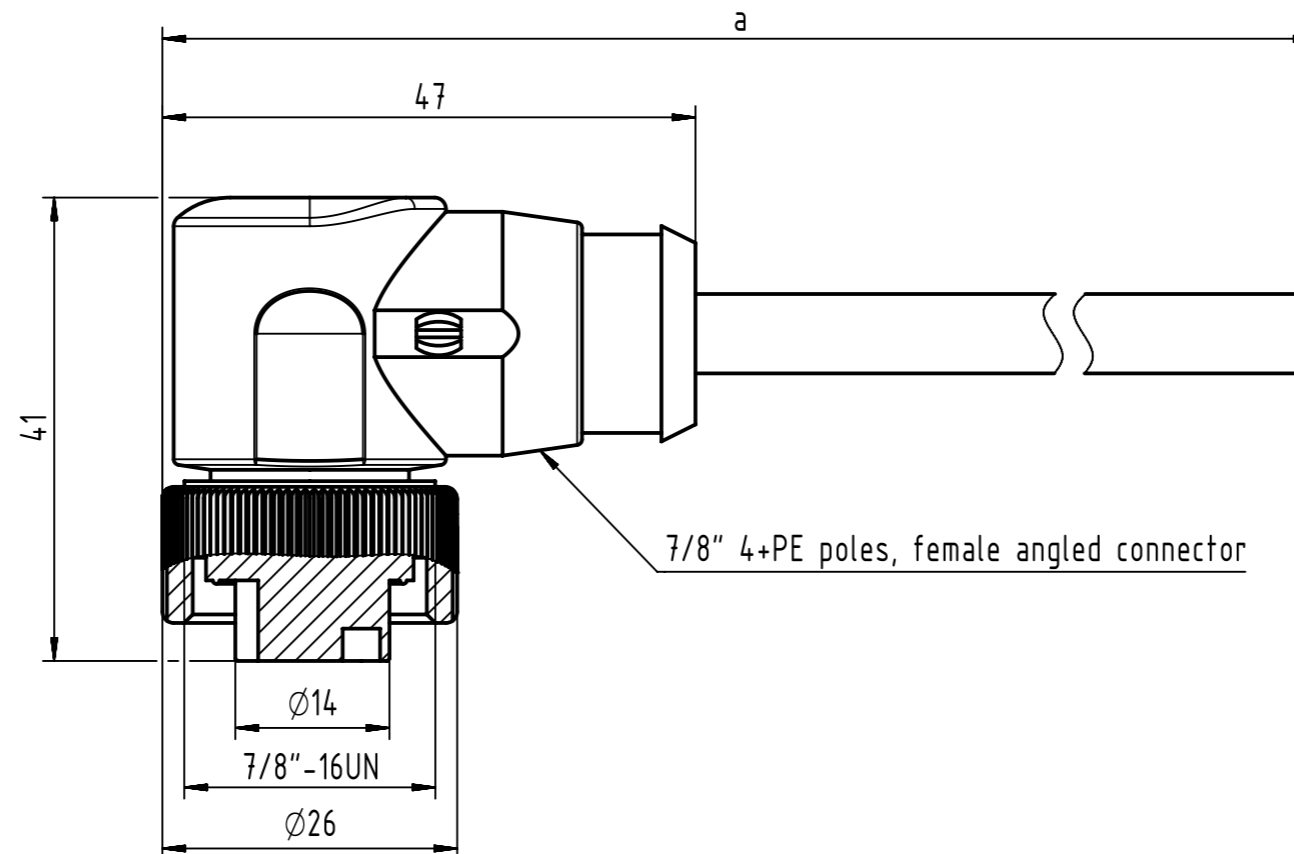


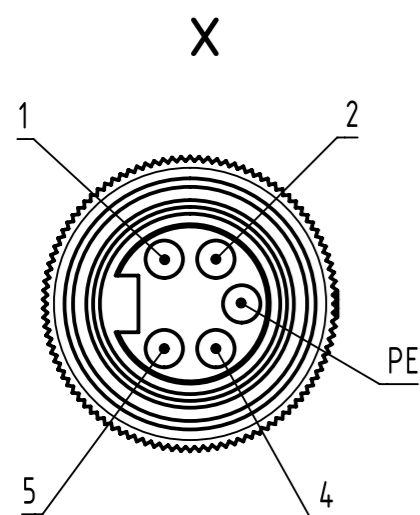
Connector Location A

Connector Location B



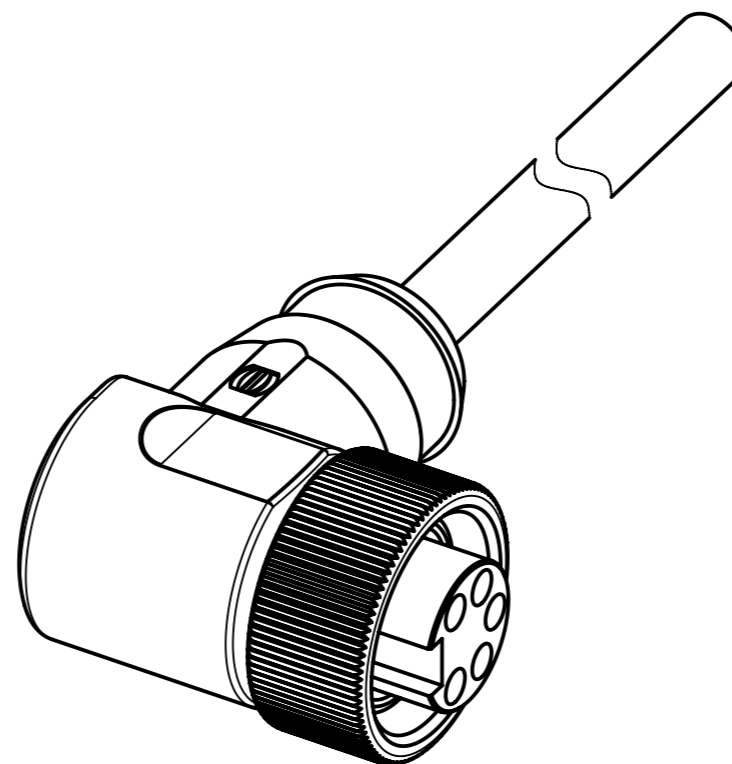
7/8" 4+PE poles, female angled connector

X



Loading-Plan:

- 1 black
- 2 blue
- PE green-yellow
- 4 brown
- 5 white



4.0 to 100	+1%
0.1 to 3.9	+0.04
a [m]	Tolerance

length in "1m" step	100	XXX=000
	99	XXX=990
	.	.
	12	XXX=120
	11	XXX=110
length in "0.1m" step	10	XXX=100
	9.9	XXX=099
	9.8	XXX=098
	.	.
	0.4	XXX=004
	0.3	XXX=003
	0.2	XXX=002
	0.1	XXX=001
Step	a [m]	XXX

Part no.	213499005XXXXXX
Type of cable	XX
PVC grey, 5x1.5mm <sup>2</sup>	XX=97
PUR black, 5x1.5mm <sup>2</sup>	XX=98

- Protection level: IP 65/67  
 - Temperature range: -25°C ... +80°C

All rights reserved Department HCS - RO HARTING Customised Solutions D-32427 Minden		All Dimensions in mm Tech. Character. Created by MUNTEANV Inspected by POPESCU Title 7/8" Cable Assembly Type TB	Free size tol. Standardisation AVRAM Date 2016-10-18 Number 213499005XXXXXX	According to production drawing 2016-09-07 State Final Release Doc-Key / ECM-Nr. 100580963/UGD/009/B 500000110271 Rev. B Page 1/1
--	--	---	--	--