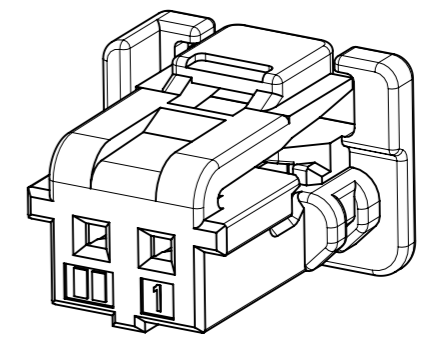
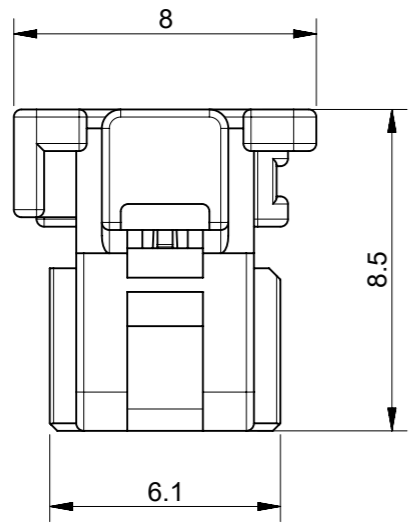
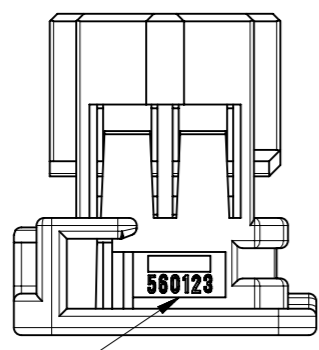
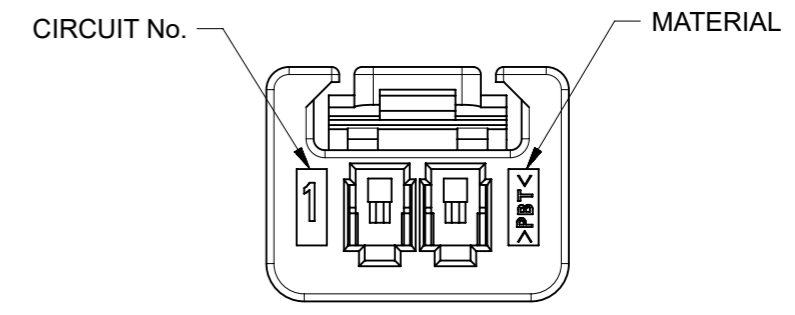
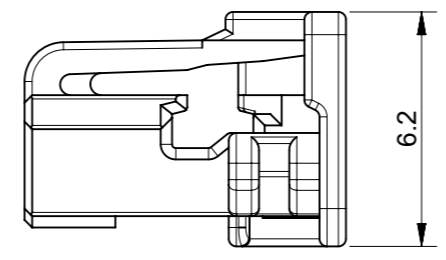
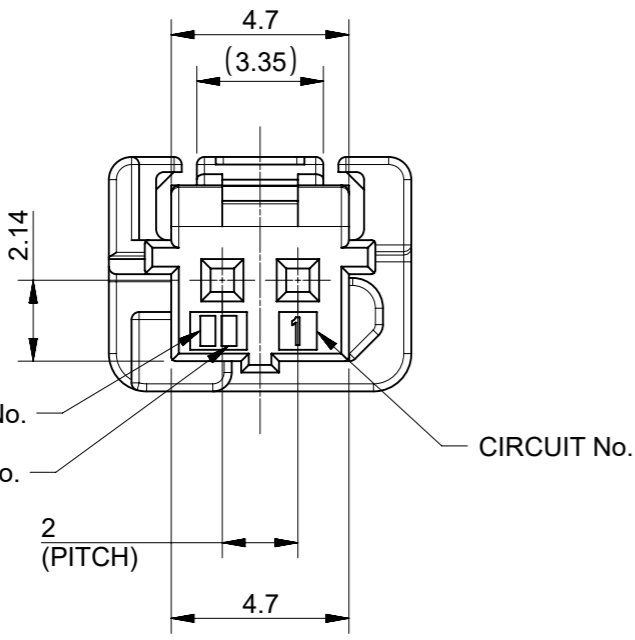


GENERAL TOLERANCE										USED ON
10 MAX	30 MAX	50 MAX	70 MAX	100 MAX	120 MAX	250 MAX	250 OVER	ANGLE	ECCENT	
±0.15	±0.20	±0.30	±0.40	±0.50	±0.75	±0.90	±1.4	±0.5°	0.1	



**ISO VIEW**



SERIES No.

- NOTES:**
1. MATERIALS : POLYESTER (PBT), GLASS UNFILLED, UL94 V-0
  2. MATE WITH : 502352, 560020 SERIES
  3. APPLICABLE TERMINAL : 560124 SERIES
  4. APPLICABLE ISL : 560125 SERIES
  5. GENERAL TOLERANCE : SEE TABLE
  6. EVL AND RoHS COMPLIANT
  7. PRODUCT SPECIFICATION : PS-560123-00\*
  8. PACKING SPECIFICATION : PK-560123-001

**MATERIAL NUMBER**

ORDER NO.	MATERIAL NO.	COLOR
560123-0200	5601230200	WHITE
560123-0201	5601230201	BLACK
560123-0202	5601230202	RED
560123-0204	5601230204	BLUE

FUNCTIONAL SYMBOLS	THIS DRAWING CONTAINS INFORMATION THAT IS PROPRIETARY TO MOLEX ELECTRONIC TECHNOLOGIES, LLC AND SHOULD NOT BE USED WITHOUT WRITTEN PERMISSION	CURRENT REV DESC:		<b>molex</b>																										
	<table border="1"> <tr> <th>FUNCTIONAL SYMBOLS</th> <th>DIMENSION UNITS</th> <th>SCALE</th> </tr> <tr> <td><math>\nabla_A = 0</math></td> <td>mm</td> <td>5:1</td> </tr> <tr> <td><math>\nabla_E = 0</math></td> <td colspan="2">GENERAL TOLERANCES (UNLESS SPECIFIED)</td> </tr> <tr> <td><math>\nabla_{E'} = 0</math></td> <td colspan="2">ANGULAR TOL ± °</td> </tr> <tr> <td></td> <td>4 PLACES</td> <td>±</td> </tr> <tr> <td></td> <td>3 PLACES</td> <td>±</td> </tr> <tr> <td></td> <td>2 PLACES</td> <td>±</td> </tr> <tr> <td></td> <td>1 PLACE</td> <td>±</td> </tr> <tr> <td></td> <td>0 PLACES</td> <td>±</td> </tr> </table>	FUNCTIONAL SYMBOLS	DIMENSION UNITS		SCALE	$\nabla_A = 0$	mm	5:1	$\nabla_E = 0$	GENERAL TOLERANCES (UNLESS SPECIFIED)		$\nabla_{E'} = 0$	ANGULAR TOL ± °			4 PLACES	±		3 PLACES	±		2 PLACES	±		1 PLACE	±		0 PLACES	±	EC NO: 668822 DRWN: SAKIM CHK'D: HIJIMA APPR: HIJIMA
FUNCTIONAL SYMBOLS	DIMENSION UNITS	SCALE																												
$\nabla_A = 0$	mm	5:1																												
$\nabla_E = 0$	GENERAL TOLERANCES (UNLESS SPECIFIED)																													
$\nabla_{E'} = 0$	ANGULAR TOL ± °																													
	4 PLACES	±																												
	3 PLACES	±																												
	2 PLACES	±																												
	1 PLACE	±																												
	0 PLACES	±																												
DIVISIONAL SYMBOLS	DRAFT WHERE APPLICABLE MUST REMAIN WITHIN DIMENSIONS THIRD ANGLE PROJECTION DRAWING SERIES MATERIAL NUMBER CUSTOMER	INITIAL REVISION: DRWN: YIBAEK APPR: SRTAK	2014/07/03 2014/08/26	PRODUCT CUSTOMER DRAWING DOCUMENT NUMBER SD-560123-001 DOC TYPE PSD DOC PART 001 REVISION C3 SHEET NUMBER 1 OF 1																										