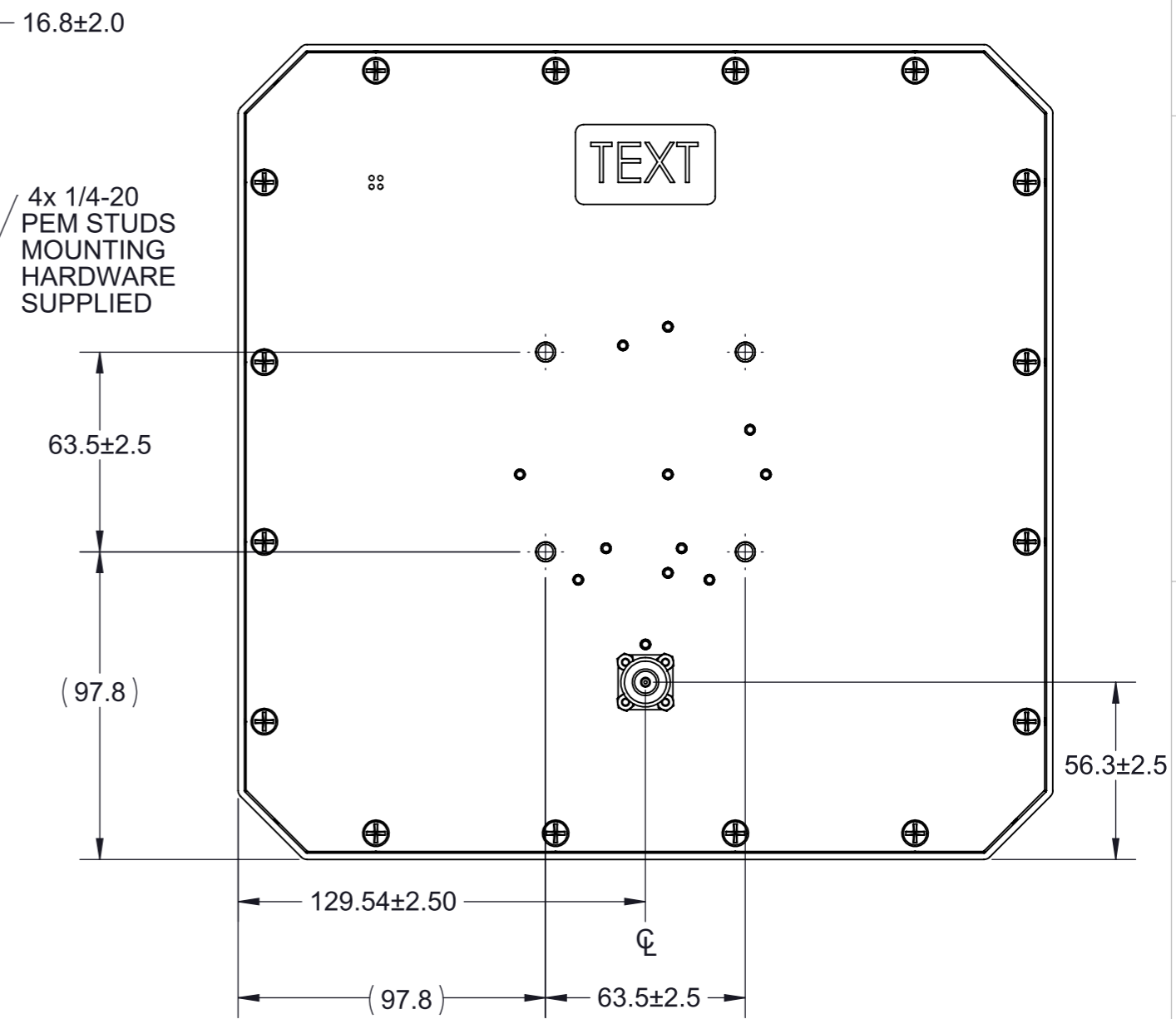
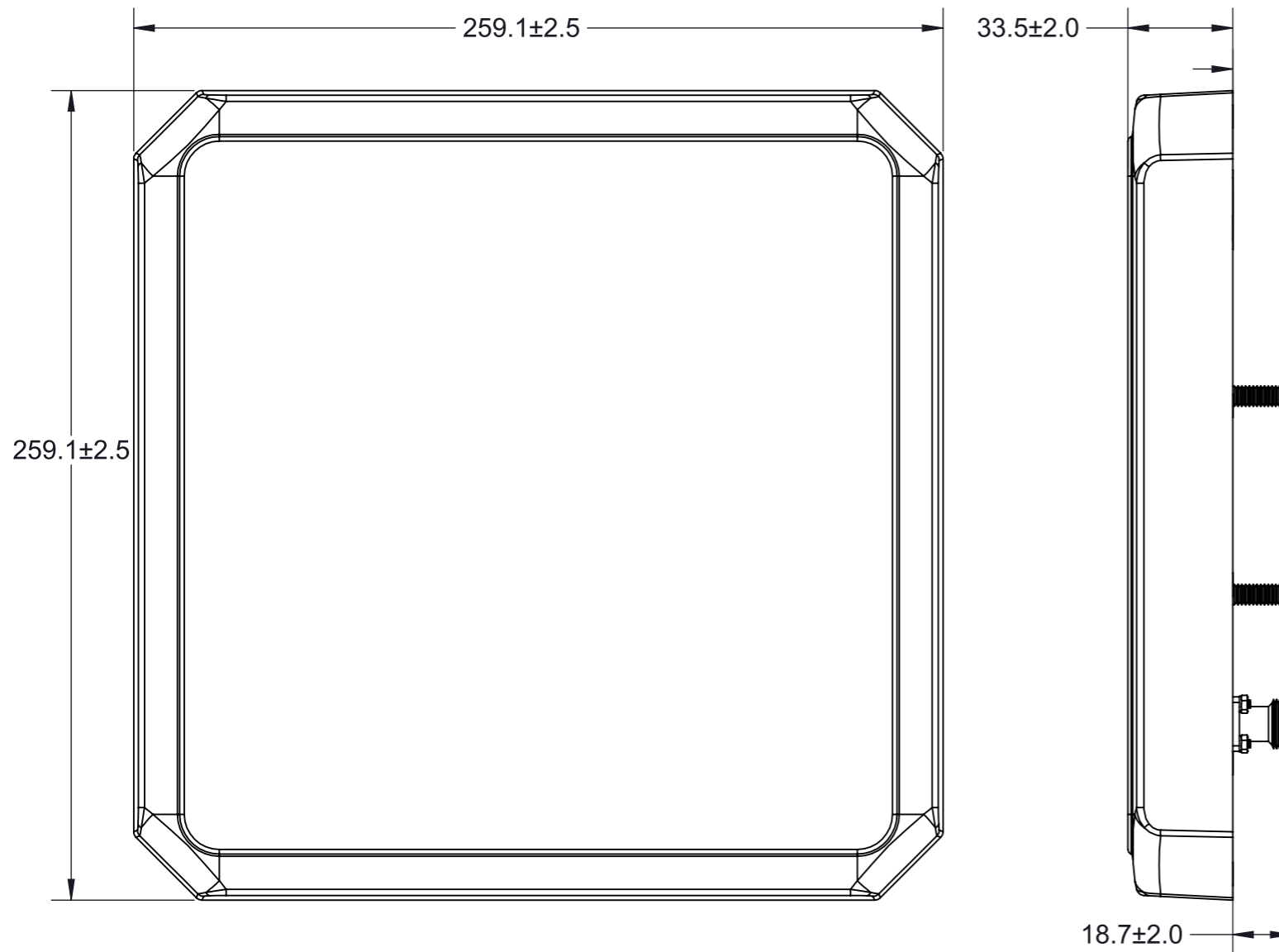



THIS DRAWING IS UNPUBLISHED.	RELEASED FOR PUBLICATION	- . - .
© Copyright 2022 TE Connectivity Ltd.		ALL RIGHTS RESERVED.

REVISIONS					
REV.	ECR#	ZONE	DESCRIPTION	CHANGED BY/DATE	APPROVED BY/DATE
AA			ORIGINATED AND RELEASED	M.L. 11/1/2013	T.P. 11/1/2013
AB	CRN ECR#1698		CHANGED AXIAL RATIO PERFORMANCE FROM 1dB TO 2 dB	M.L. 11/21/2013	T.P. 11/21/2013



Parameter	Performance
Antenna Part Number	PAR86518H-FNF
RF Connector	N-female Fixed
Frequency (MHz)	865-956
Max. Gain	8.5 dBic
3 dB Beamwidth Typ.	Azimuth 65°
Axial Ratio	2 dB Typical
Nominal Impedance	50 Ohms
VSWR max	1.5:1
Polarization (RHCP)	Circular
Front-to-Back Ratio	20 dB
Max Power Watts	3W
Weight lbs (kg)	1.89 (.86)
Temperature Operational	-25° C to +70° C
Environmental Rating	IP67
RoHS	Compliant

MATERIAL:		THIRD ANGLE PROJECTION			
FINISH:		DO NOT SCALE DRAWING			
APPROVALS		DATE		TITLE: PAR86518H-FNF	
DRAWN BY	M.LABONVILLE	11-01-13			
PROJ. ENG.	T.PETROPOULOS	11-01-13			
APPL. MECH.	S.JOHNSON	11-01-13			
MFG.	B. THACHER	11-01-13		SIZE: A3	
INTERPRET DIMENSIONING AND TOLERANCING IN ACCORDANCE WITH ASME Y14.5M-2009 TOLERANCES UNLESS OTHERWISE SPECIFIED DIMENSIONS ARE IN MILLIMETERS				DWG. NO.: PAR86518H-FNFMO	
ANGLE: ±30' 0 PLACE DECIMAL: ±0.5 1 PLACE DECIMAL: ±0.25 2 PLACE DECIMAL: ±0.13 SURFACE ROUGHNESS 1.6/√				REV: AB	
SCALE: 1:2				PREVIOUS#	
				SHEET 1 OF 1	