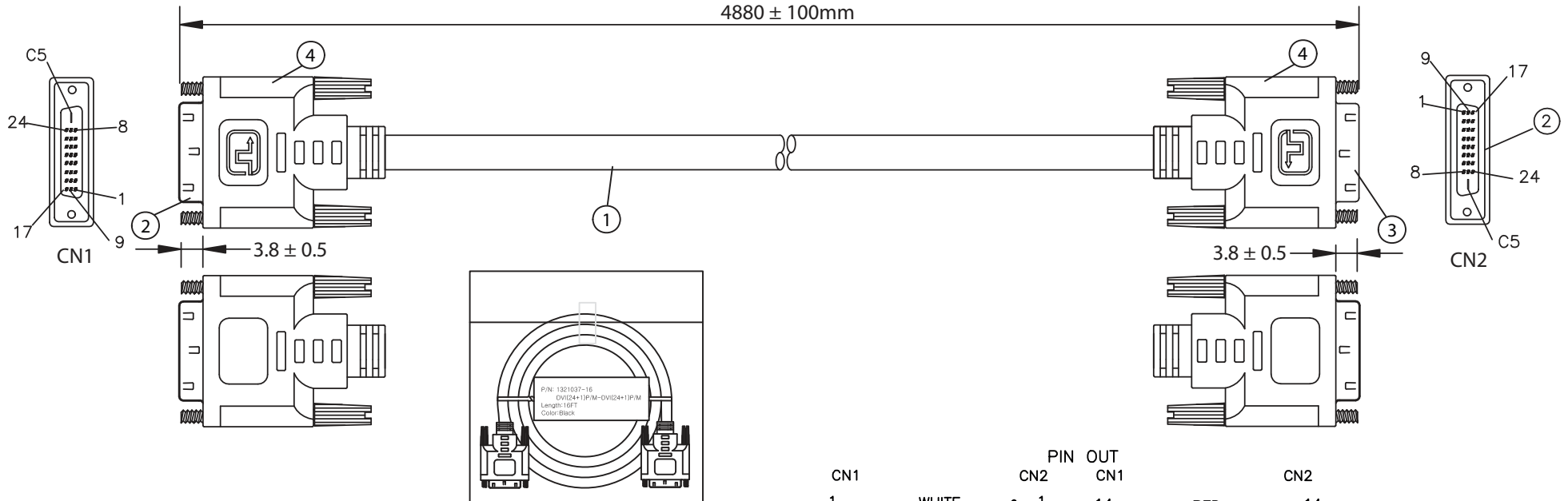


THESE DRAWINGS ARE THE PROPERTY OF QUALTEK ELECTRONICS AND NOT TO BE REPRODUCED FOR OR COMMUNICATED TO A THIRD PARTY WITHOUT THE EXPRESS WRITTEN PERMISSION OF AN OFFICER OF QUALTEK ELECTRONICS.

REVISION			
REV.	DESCRIPTION	DATE	APPROVED
B	Updated Notes and Graphics	10-21-14	LY



NOTES:

- CABLE: UL20276  
(28AWG\*1PR+EAM)\*7+28AWG\*1PR+28AWG\*3C+AEB(AL) 65%  
OUTER JACKET: BLACK, OD: 8.5 ± 0.2mm
- CONNECTOR: DVI 24+1 MALE  
INSULATOR: BLACK  
PIN G/F  
GOLD PLATED SHELL  
THUMB SCREW: 2.8\*32 4-40UNC
- CONNECTOR: DVI 24+1 MALE  
INSULATOR: BLACK  
PIN G/F  
GOLD PLATED SHELL  
THUMB SCREW: 2.8\*32 4-40UNC
- PVC MOLDED: COLOR V398 30P BLACK
- ELECTRICAL TEST:  
<1>.100% OPEN SHORT & MISS WIRE TEST  
<2>.INSULATION RESISTANCE: AC300V DC400V 10M ohm MIN.  
<3>.CONDUCTOR RESISTANCE: 4 ohm MAX.
- PACKING: 1PC/POLYBAG

PIN OUT			
CN1	CN2	CN1	CN2
1 — WHITE	1 —	14 — RED	14
2 — GREEN	2 —	15 — VIOLET	15
3 — DRAIN	3 —	16 — WHITE	16
4 — DRAIN	4 —	17 — PINK	17
5 — BLUE	5 —	18 — ORANGE	18
6 — YELLOW	6 —	19 — DRAIN	19
7 — ORANGE	7 —	20 — DRAIN	20
8 — WHITE	8 —	21 — BLACK	21
9 — WHITE	9 —	22 — GRAY	22
10 — RED	10 —	23 — LIGHT-BLUE	23
11 — DRAIN	11 —	24 — VIOLET	24
12 — DRAIN	12 —	22 — DRAIN	22
13 — WHITE	13 —	SHELL — BRAID & DRAIN	SHELL

**CONTROLLED**

Dim range (mm)	Tolerance +/- (mm)	Qualtek Electronics Corp. WCI DIVISION		
		Part Number: 1321037-16	RoHS Compliant	
0-1	0.15	Description: DVI (24+1)P/M - DVI (24+1)P/M		
1-6	0.20		UNIT: mm	REV.B
6-18	0.30		Checked / Date	Approved / Date
18-50	0.50	Drawn / Date		
50-120	0.70	B. Grubb 01-25-07	01-25-07	JJH / 01-25-07
120-250	0.90			
250-500	1.20			