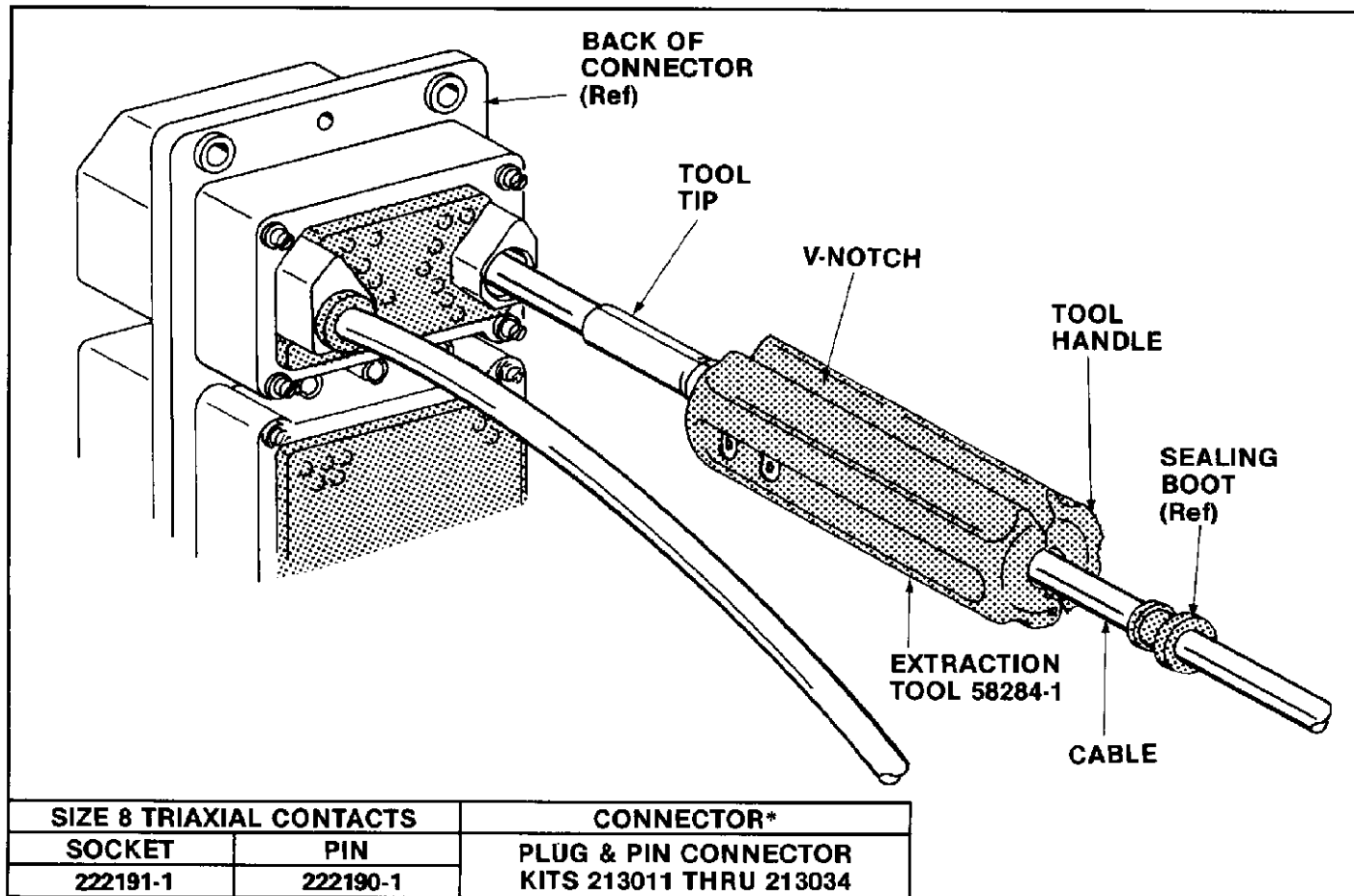


CUSTOMER HOTLINE 1 800 722-1111

REDUCED FOR PACKAGING



* CONSULT AMP INCORPORATED FOR ADDITIONAL PART NUMBERS.

Fig. 1

1. INTRODUCTION

This instruction sheet (IS) covers AMP Extraction Tool 58284-1, which is used to remove Size 8 triaxial contacts (listed in Figure 1) from MIL 600 connectors. Read these instructions thoroughly before removing any contacts.

NOTE

All dimensions presented on this instruction sheet are in inches.

2. DESCRIPTION (Figure 1)

The tool tip is inserted into the rear of the contact cavity to release the locking mechanism which holds the contact in place. The tool handle is hinged lengthwise (allowing the entire tool to pivot open and the cable to enter) with a pair of springs which hold the tool halves closed.

3. EXTRACTION PROCEDURE

1. If the contact to be removed is sealed with a sealing boot, slide the boot back over the cable at least $3\frac{1}{4}$ inches so that it will not interfere with the placement of the tool on the cable. Do not cut or damage the boot.
2. Place the cable over the V-notch of the tool handle and press the cable into the notch. The handle and tool tip will spread open to allow the cable to enter. Make sure that the cable is fully seated in the tool handle and tip.
3. Insert the tool tip into the contact cavity by sliding the tool along the cable until the tool tip bottoms in the cavity.
4. Maintain a slight forward pressure on the tool handle and pull back lightly on the cable to release the contact.

5. Withdraw the cable, contact, and tool from the contact cavity.
6. Spread the tool handles and remove the cable from the tool.

This completes the extraction procedure.

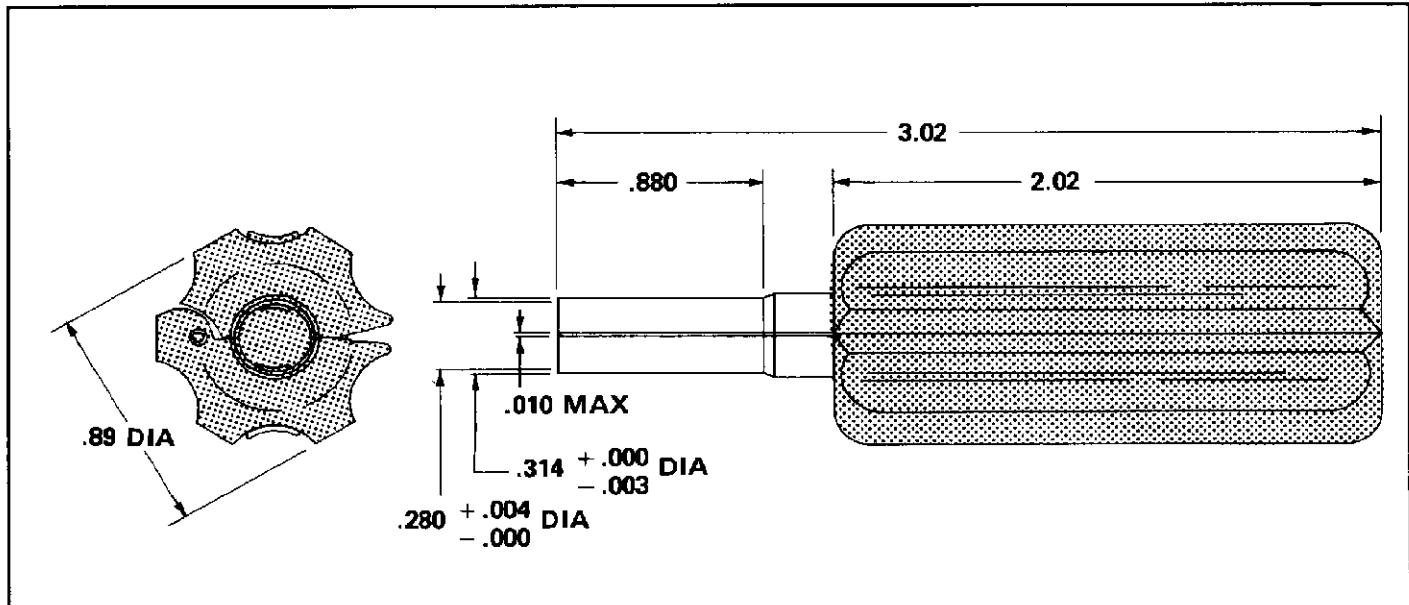
4. TOOL INSPECTION

Extraction Tool 58284-1 has been inspected and should be verified with the information provided in

Figure 2. It is recommended that the tool be inspected upon its arrival and then at scheduled intervals to ensure that it has not been damaged.

Additional tools may be purchased by contacting your local AMP representative or by contacting:

AMP Incorporated
 P.O. Box 3608
 Harrisburg, PA 17105-3608



TOOL NUMBER	PRODUCT DESIGNED FOR	ENGINEERING APPROVAL	DATE
58284-1	SIZE 8 TRIAXIAL CONTACTS (MIL 600 Application)	Don Driver	5 - 6 - 88

Fig. 2