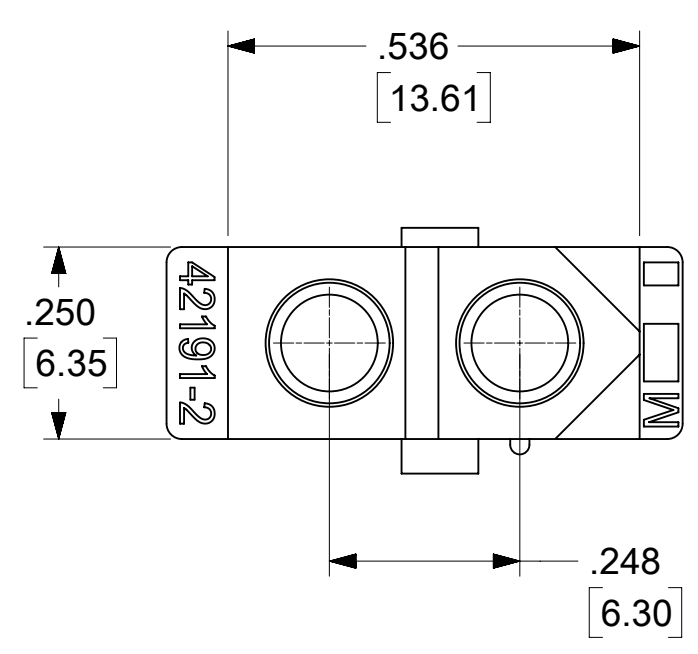
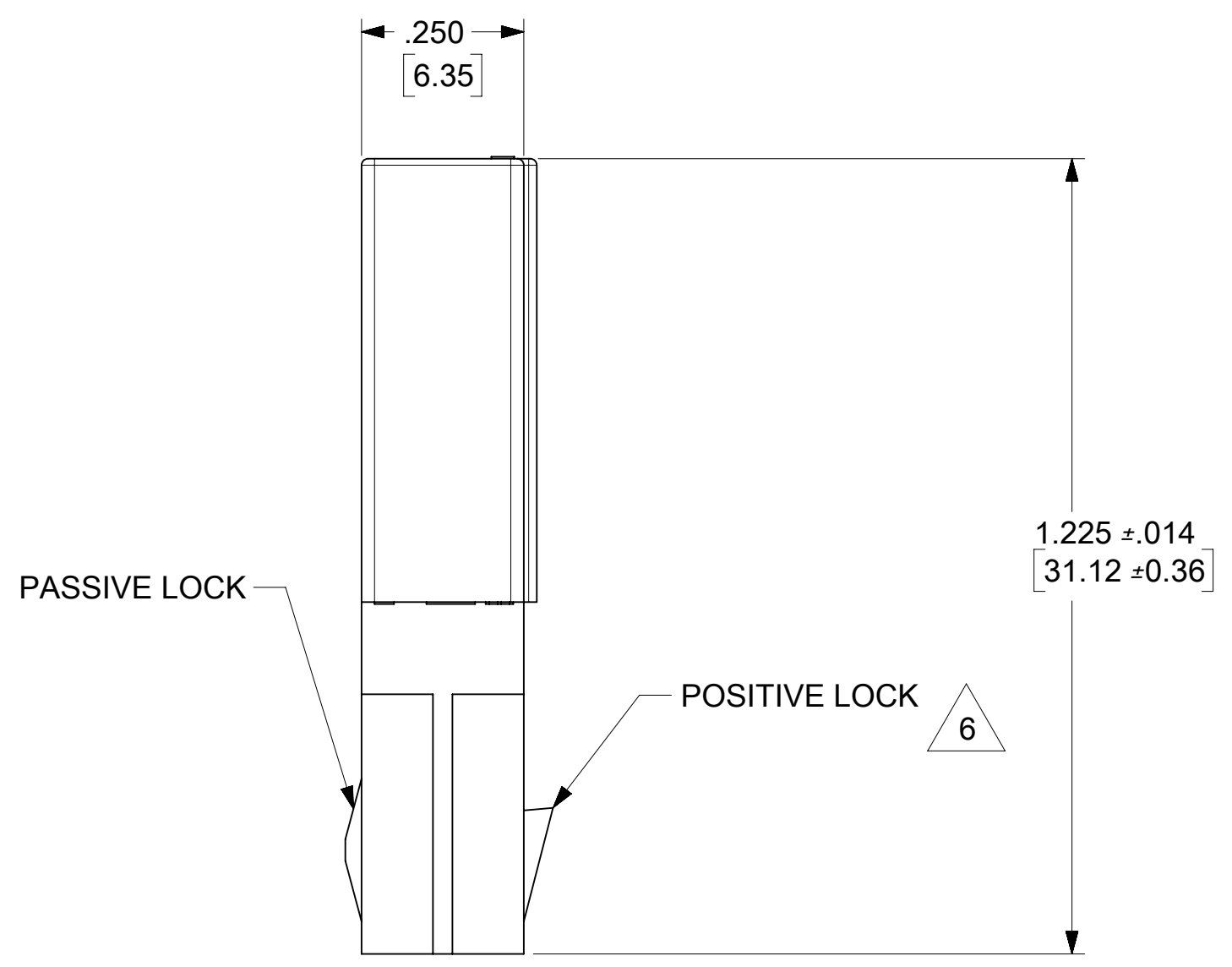
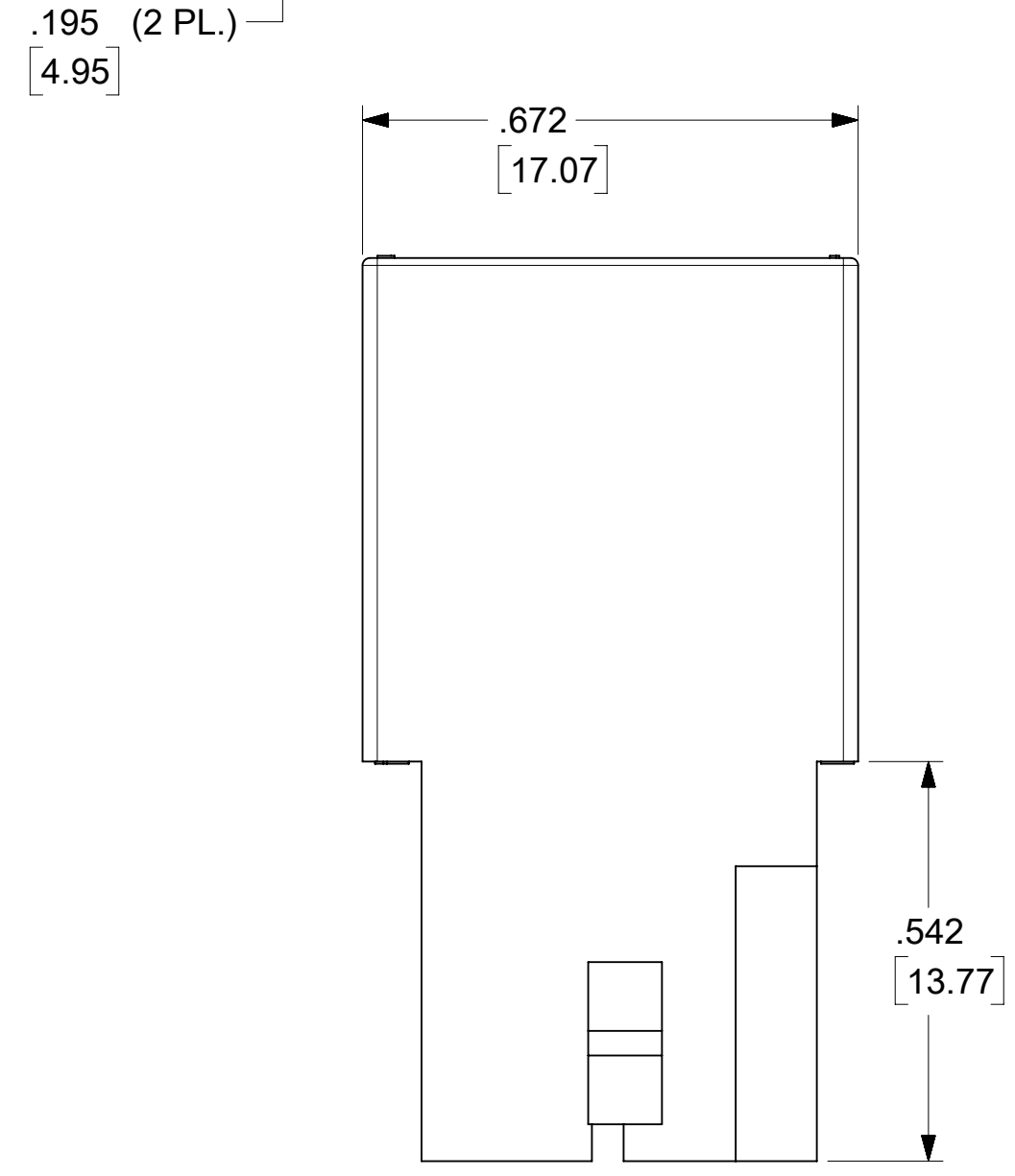
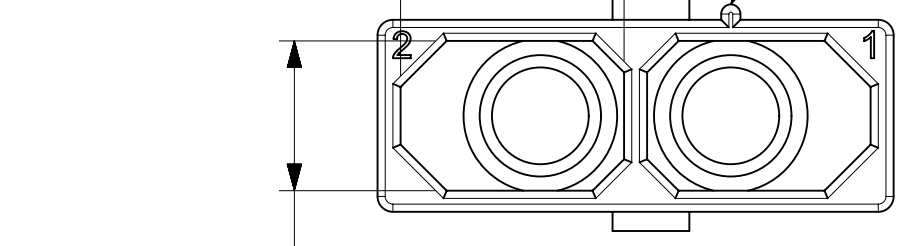


PLUG HOUSING

QUALITY SYMBOLS		THIS DRAWING CONTAINS INFORMATION THAT IS PROPRIETARY TO MOLEX ELECTRONIC TECHNOLOGIES, LLC AND SHOULD NOT BE USED WITHOUT WRITTEN PERMISSION											
▽ = 0	ADD PK SPEC	GENERAL TOLERANCES (UNLESS SPECIFIED)				DIMENSION UNITS		SCALE					
▽ = 0	EC NO: 108502	MM		INCH		INCH/MM		4:1					
▽ = 0	DRWN: BAPPELDORN	4 PLACES ± ±				DRWN BY		DATE		.093/(2.36) HOUSING G.W. PLUG AND RECEPTACLE 2 CIRCUIT			
▽ = 0	2016/09/20	3 PLACES ± ± 0.01				AELHAG		2007/09/24					
▽ = 0	CHKD: MKIPPER	2 PLACES ± 0.25 ± 0.014				CHK'D BY		DATE		PRODUCT CUSTOMER DRAWING			
▽ = 0	2016/09/23	1 PLACES ± 0.36 ±				LSCHMIDT		2007/09/24					
▽ = 0	REV APPR: FSMITH	0 PLACES ± ±				APPR BY		DATE		SERIES MATERIAL NUMBER CUSTOMER 42191 SEE CHART GENERAL MARKET			
▽ = 0	EC NO: 108502	ANGULAR TOL = 1.0				FSMITH		2014/12/18					
▽ = 0	DRWN: BAPPELDORN	DRAFT WHERE APPLICABLE MUST REMAIN WITHIN DIMENSIONS				DRAWING SIZE		THIRD ANGLE PROJECTION		DOCUMENT NUMBER DOC TYPE DOC PART SHEET NUMBER 421910200-SD PSD 000 1 OF 3			
▽ = 0	2016/09/20	C		C		C		C					

.291 (2 PL.)
[7.39]

RIB FOR CIRCUIT
NO. IDENTIFICATION



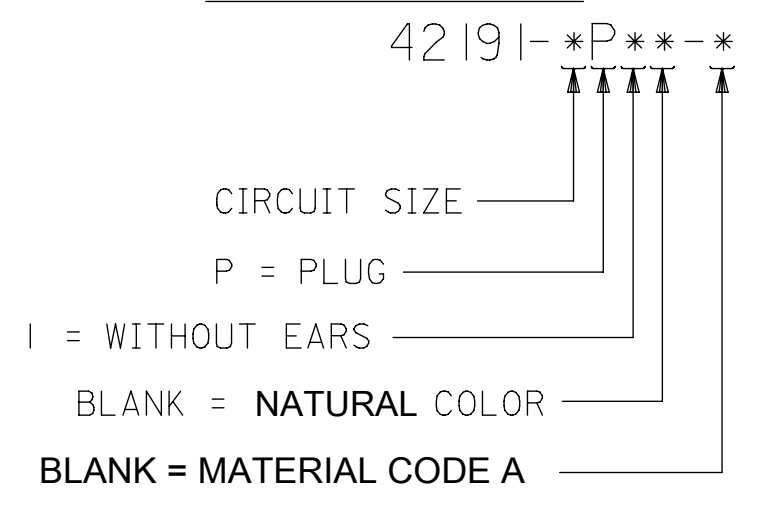
RECEPTACLE HOUSING

QUALITY SYMBOLS		THIS DRAWING CONTAINS INFORMATION THAT IS PROPRIETARY TO MOLEX ELECTRONIC TECHNOLOGIES, LLC AND SHOULD NOT BE USED WITHOUT WRITTEN PERMISSION				DIMENSION UNITS		SCALE				
▽ = 0 ▽ = 0 ▽ = 0 ▼ = 0 ▽ = 0 ⊠ = 0 ■ = 0 ▽ = 0		GENERAL TOLERANCES (UNLESS SPECIFIED)		INCH/MM		4:1		.093/(2.36) HOUSING G.W. PLUG AND RECEPTACLE 2 CIRCUIT				
ADD PK SPEC		MM		INCH		DRWN BY					DATE	
EC NO: 108502		±		±		AELHAG		2007/09/24		SERIES MATERIAL NUMBER CUSTOMER 42191 SEE CHART GENERAL MARKET		
DRWN: BAPPELDORN		± 0.25		± 0.014		CHK'D BY		DATE				
CHKD: MKIPPER		± 0.36		±		LSCHMIDT		2007/09/24		DRAWING SIZE THIRD ANGLE PROJECTION C		
REV APPR: FSMITH		±		±		APPR BY		DATE				
A		ANGULAR TOL = 1.0		C		FSMITH		2014/12/18		DRAFT WHERE APPLICABLE MUST REMAIN WITHIN DIMENSIONS		

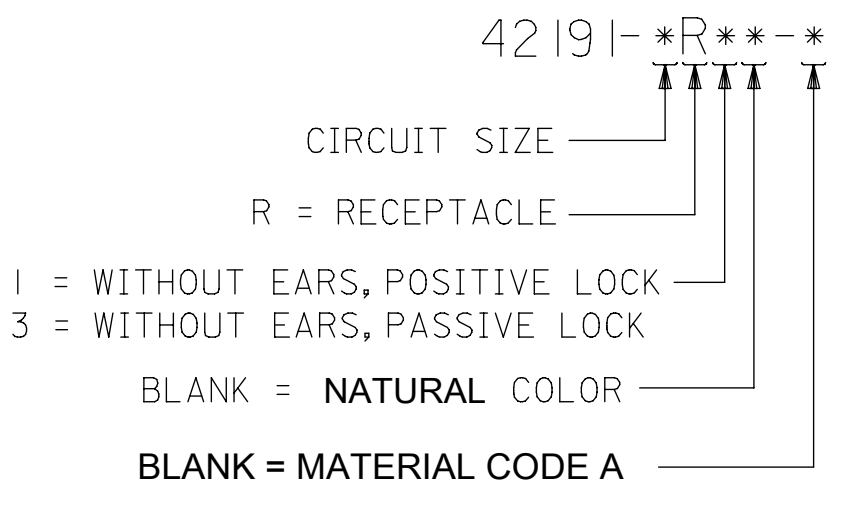
PLUG	
PART NO.	ENG. NO.
03-09-2161	42191-2P1

RECEPTACLE	
PART NO.	ENG. NO.
03-09-1161	42191-2R1
03-09-1163	42191-2R3

LEGEND: PLUG



LEGEND: RECEPTACLE



- NOTES:
- MATERIAL CODES:
A = NYLON TYPE 6/6, 94V-2
 - FINISH: NONE.
 - PRODUCT SPECIFICATION: NONE.
 - PACKAGING INFORMATION: 421910000-PK.
 - PART ACCEPTS DOUBLE WIRE CRIMPS OF 18 AWG MAXIMUM. EACH CIRCUIT WILL ALLOW ONE OF THE WIRES TO HAVE AN INSULATION THICKNESS OF .062/(1.57), THE OTHER HAVING AN INSULATION THICKNESS OF .031/(0.79).
 - LOCK RAMP STYLE IS OPTIONAL ON THIS SIDE OF PART. CHOICE OF EITHER A POSITIVE LOCK RAMP OR A PASSIVE LOCK RAMP IS AVAILABLE.
 - PARTS CONFORM TO CLASS 'B' REQUIREMENTS OF COSMETIC SPECIFICATION PS-45499-002.

QUALITY SYMBOLS 	THIS DRAWING CONTAINS INFORMATION THAT IS PROPRIETARY TO MOLEX ELECTRONIC TECHNOLOGIES, LLC AND SHOULD NOT BE USED WITHOUT WRITTEN PERMISSION										
	ADD PK SPEC EC NO: 108502 DRWN: BAPPELDORN CHKD: MKIPPER REV APPR: FSMITH	GENERAL TOLERANCES (UNLESS SPECIFIED)		DIMENSION UNITS		SCALE					
			MM	INCH	INCH/MM	1:1					
		4 PLACES ±	±		DRWN BY	DATE	.093/(2.36) HOUSING G.W. PLUG AND RECEPTACLE 2 CIRCUIT PRODUCT CUSTOMER DRAWING SERIES: 42191 MATERIAL NUMBER: SEE CHART CUSTOMER: GENERAL MARKET DOCUMENT NUMBER: 421910200-SD DOC TYPE: PSD DOC PART: 000 SHEET NUMBER: 3 OF 3				
3 PLACES ±	± 0.01		AELHAG	2007/09/24							
2 PLACES ±	± 0.25	± 0.014	CHK'D BY	DATE							
1 PLACES ±	± 0.36	±	LSCHMIDT	2007/09/24							
0 PLACES ±	±	±	APPR BY	DATE							
			FSMITH	2014/12/18							
	ANGULAR TOL = 1.0		DRAWING SIZE	THIRD ANGLE PROJECTION							
	DRAFT WHERE APPLICABLE MUST REMAIN WITHIN DIMENSIONS		C								